

Printing

Using color

Paper handling

Maintenance

Troubleshooting

Administration

Index

Your printer monitors the life of your fuser. When the fuser reaches the end of its life, the printer displays **80 Fuser Exhausted**. This message indicates it is time for you to replace the fuser. For best print quality, make sure you replace the fuser when the printer displays **80 Fuser Life Warning**.

Press **Go** to clear the message. The **supplies** message appears on the second line of the display to remind you that supplies need attention. You can open the Supplies Menu to see the **80 Fuser Exhausted** and **80 Fuser Life Warning** messages.

The printer continues to display the **supplies** message until you replace the fuser. To replace the fuser, use the following steps or the instruction sheet supplied with the fuser.



Printing

Using color

Paper handling

Maintenance

Troubleshooting

Administration

Index

Preparing for maintenance

- 1 Turn the printer on.
- 2 Follow the instructions in the table for the message your printer is displaying.

Primary message	Secondary message	What you should do
80 Fuser Life Warning	Select = Replace Go = Continue	Press Select if you want to replace the fuser now. Press Go if you want to wait to replace the fuser.
80 Fuser Exhausted	Select = Replace	Press Select to replace the fuser.
80 Belt/Fuser Life Warning	Select = Replace Go = Continue	Press Select if you want to replace the fuser now. Press Go if you want to wait to replace the fuser.
80 Belt/Fuser Exhausted	Select = Replace	Press Select to replace the fuser.

The **Preparing for Maintenance** message appears while the printer moves parts into position. After the parts are in position, the message **Printer Ready for Maintenance** appears, followed by **Power Off to Replace Items**.



Printing

Using color

Paper handling

Maintenance

Troubleshooting

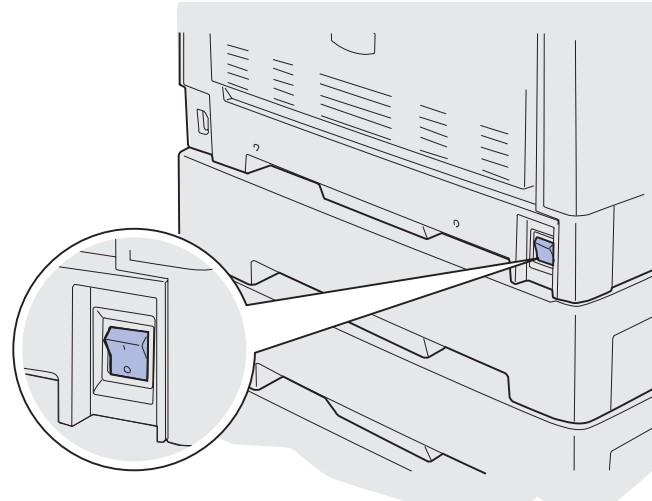
Administration

Index

- 3 Turn the printer off.

Removing the fuser

- 1 Complete the steps in **Preparing for maintenance** on **page 2**.
- 2 Make sure the printer is turned off.
- 3 Turn off or unplug any optional devices connected to the printer.



Printing

Using color

Paper handling

Maintenance

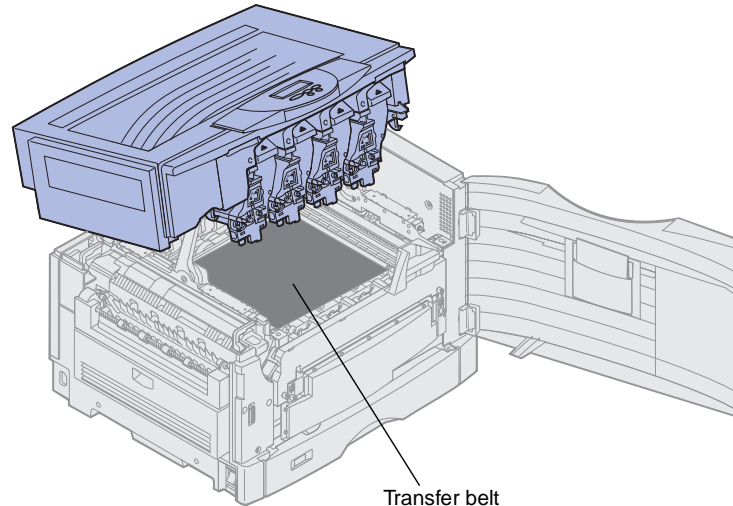
Troubleshooting

Administration

Index

Warning: Do not touch, drop, or place anything on the transfer belt. Touching the surface of the transfer belt or placing items on it may cause damage.

4 Complete the steps to open the top cover.



Printing

Using color

Paper handling

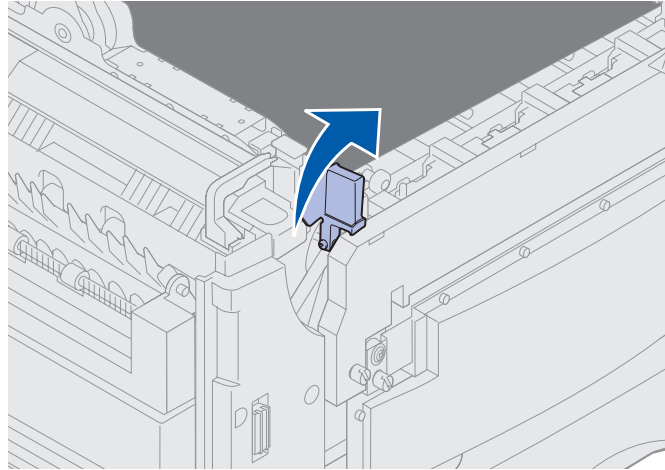
Maintenance

Troubleshooting

Administration

Index

5 Lift the fuser pressure release lever up.



Warning: Removing or replacing the fuser while the fuser pressure release lever is in the down position will damage the lever.



Printing

Using color

Paper handling

Maintenance

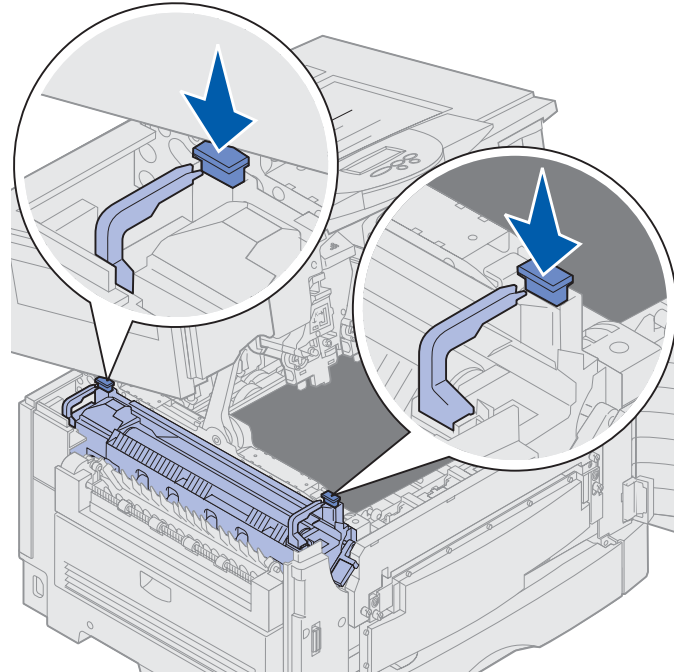
Troubleshooting

Administration

Index

CAUTION! The fuser may be hot! Allow the fuser to cool before touching.

6 Grasp the fuser handles and press both fuser release buttons.



Printing

Using color

Paper handling

Maintenance

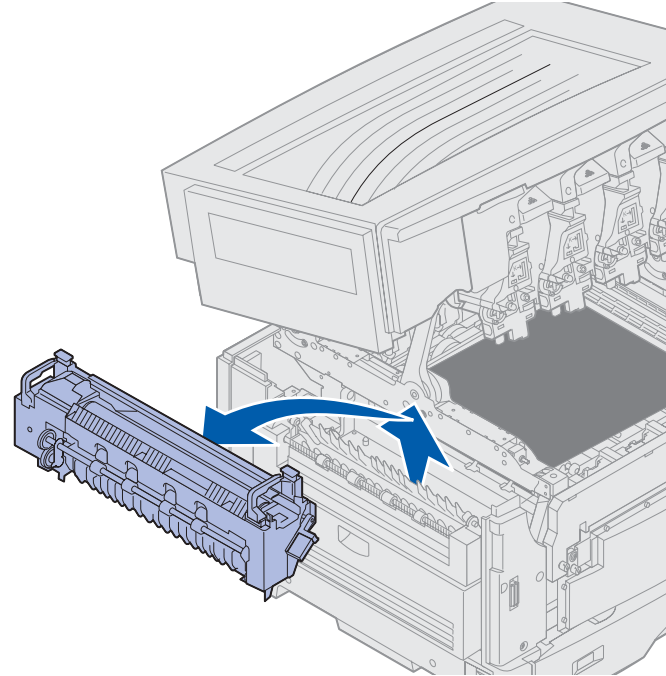
Troubleshooting

Administration

Index

7 Lift the fuser up and out.

Note: Do not discard the old fuser at this time. The oil coating roll will be installed in the new fuser.



Printing

Using color

Paper handling

Maintenance

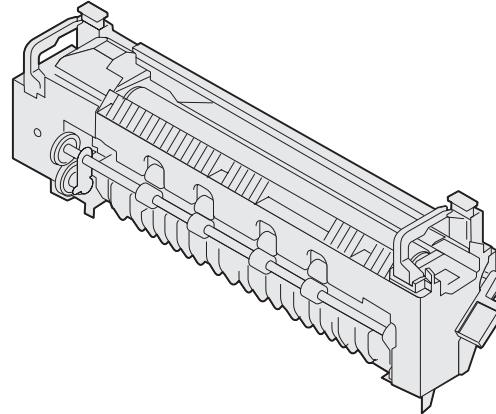
Troubleshooting

Administration

Index

Installing the fuser

- 1 Remove the replacement fuser from the packing material, and remove any packing material from the fuser.



Printing

Using color

Paper handling

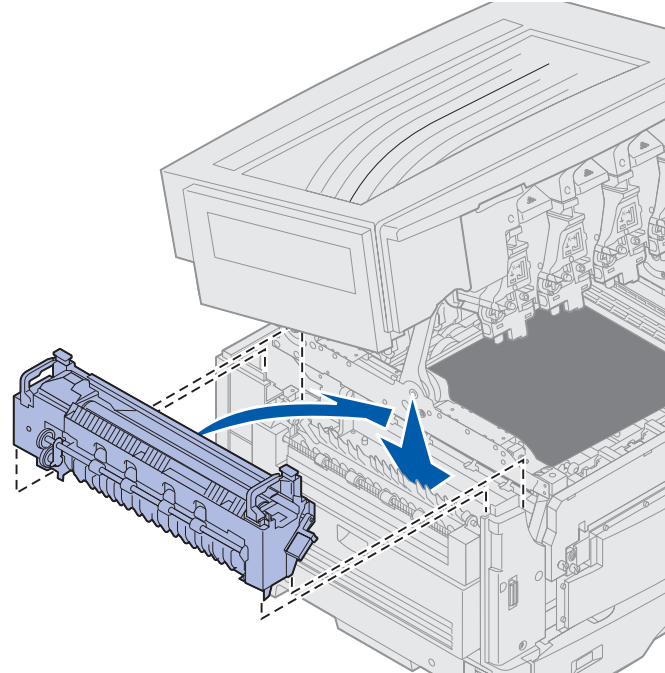
Maintenance

Troubleshooting

Administration

Index

2 Align the new fuser with the opening in the printer.



Printing

Using color

Paper handling

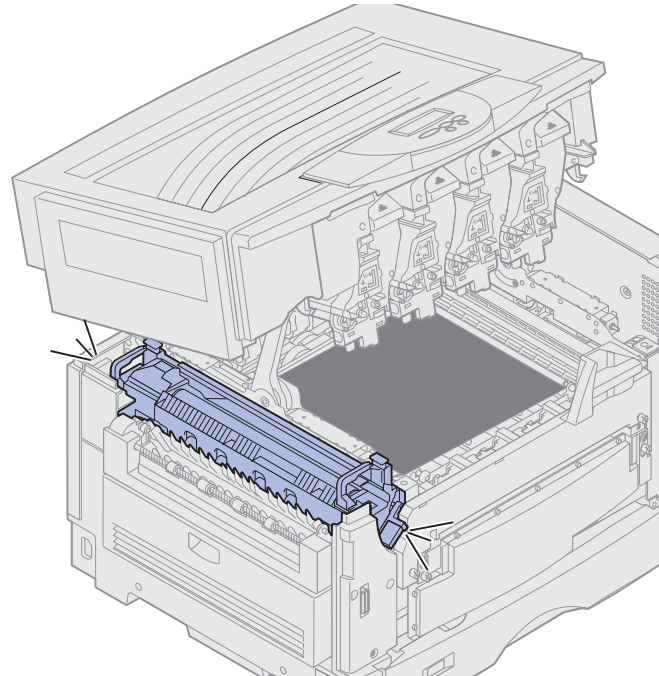
Maintenance

Troubleshooting

Administration

Index

3 Lower the fuser until it *snaps* into place.



Printing

Using color

Paper handling

Maintenance

Troubleshooting

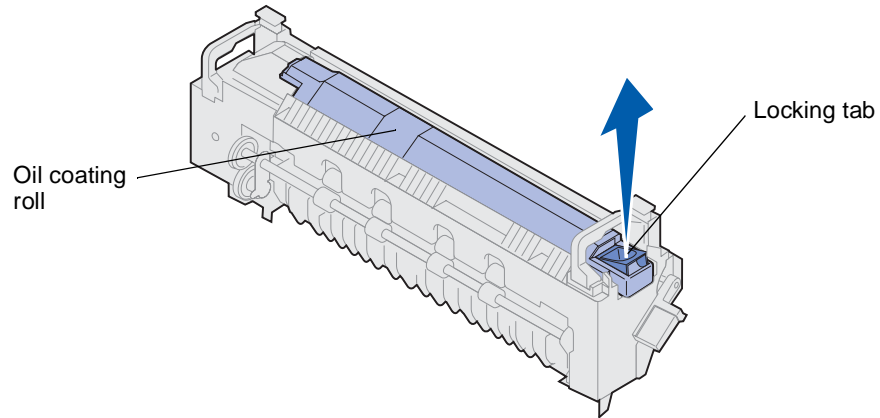
Administration

Index

4 Remove the oil coating roll from the old fuser.

CAUTION! The oil coating roll may be hot! Allow the oil coating roll to cool before touching.

a Pull up on the locking tab to unlock the oil coating roll.



Printing

Using color

Paper handling

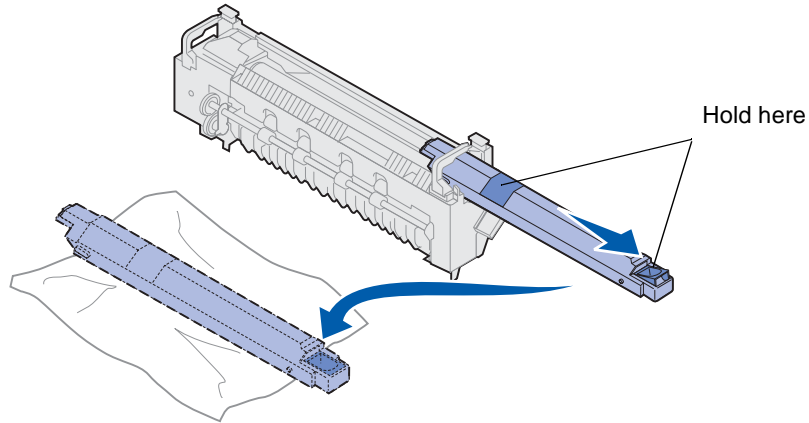
Maintenance

Troubleshooting

Administration

Index

b Slide out the oil coating roll.



Hold the oil coating roll by the top, as indicated by the dark areas in the illustration.

Note: The underside of the oil coating roll may be covered with oil. If you are not ready to slide the coating roll into the fuser immediately, place the coating roll on a sheet of plastic or other protective material to prevent stains.



Printing

Using color

Paper handling

Maintenance

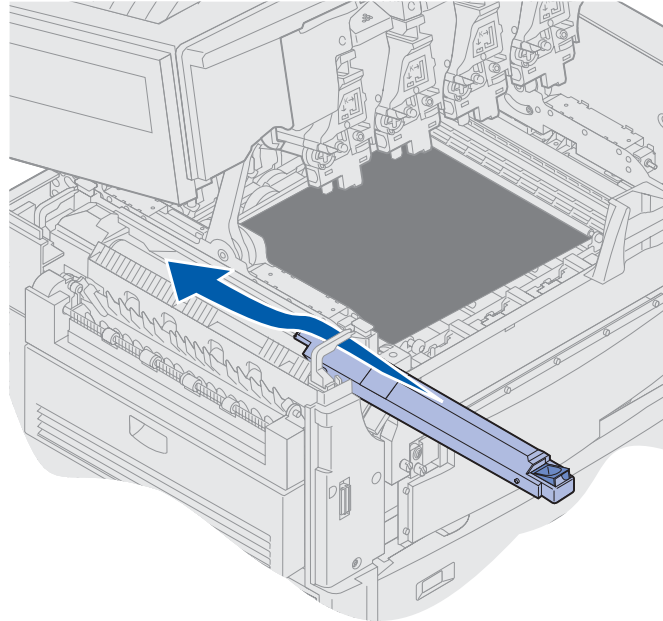
Troubleshooting

Administration

Index

5 Install the oil coating roll.

Make sure the oil coating roll drops down into position. It should *click* into place with no gap between it and the fuser.



Printing

Using color

Paper handling

Maintenance

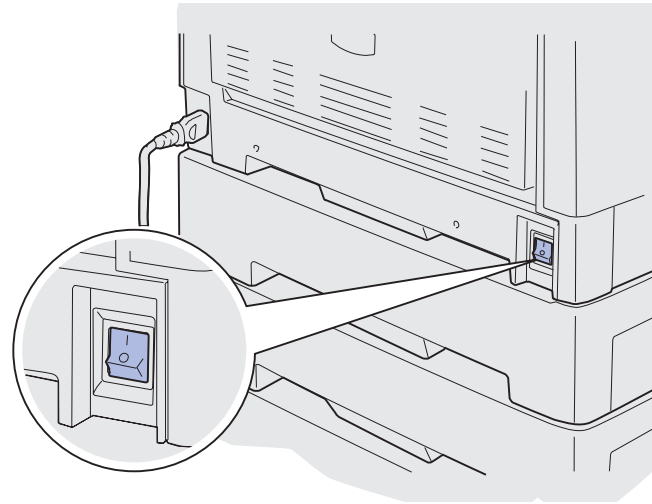
Troubleshooting

Administration

Index

CAUTION! Before closing the top cover make sure everyone is away from the printer and the area under the cover is free of hands, clothing, and other items.

- 6 Close the top cover and the front door.
- 7 Reconnect any optional devices to the printer.
- 8 Turn the optional devices on.
- 9 Turn the printer on.



Printing

Using color

Paper handling

Maintenance

Troubleshooting

Administration

Index

The message **Did you replace Fuser?** appears.

10 Press **Go** to reset the fuser counter.

Note: If you replaced the fuser after receiving the **80 Belt/Fuser Life Warning** message or the **80 Belt/Fuser Exhausted** message, see **Replacing the transfer belt** for instructions on replacing the transfer belt.

For instructions about replacing other supply items, click one of the following headings:

[Replacing a photodeveloper](#)

[Replacing a toner cartridge](#)

[Replacing the transfer belt](#)

[Replacing the oil coating roll ▲](#)

