

Printing

Using color

Paper handling

Maintenance

Troubleshooting

Administration

Index

Your printer monitors the life of your transfer belt. When the transfer belt reaches the end of its life, the printer displays **80 Belt Exhausted**. This message indicates it is time for you to replace the transfer belt. For best print quality, make sure you replace the transfer belt when the printer displays **80 Belt Life Warning**.

Press **Go** to clear the message. The **supplies** message appears on the second line of the display to remind you that supplies need attention. You can open the Supplies Menu to see **80 Belt Exhausted** or **80 Belt Life Warning** messages.

The printer continues to display the **supplies** message until you replace the transfer belt. To replace the transfer belt, use the following steps or the instruction sheet supplied with the transfer belt.



Printing

Using color

Paper handling

Maintenance

Troubleshooting

Administration

Index

Preparing for maintenance

- 1 Turn the printer on.
- 2 Follow the instructions in the table for the message your printer is displaying.

Primary message	Secondary message	What you should do
80 Belt Life Warning	Select = Replace Go = Continue	Press Select if you want to replace the transfer belt now. Press Go if you want to wait to replace the transfer belt.
80 Belt Exhausted	Select = Replace	Press Select to replace the transfer belt.
80 Belt/Fuser Life Warning	Select = Replace Go = Continue	Press Select if you want to replace the transfer belt now. Press Go if you want to wait to replace the transfer belt.
80 Belt/Fuser Exhausted	Select = Replace	Press Select to replace the transfer belt.

The **Preparing for Maintenance** message appears while the printer moves parts into position. After the parts are in position, the message **Printer Ready for Maintenance** appears, followed by **Power Off to Replace Items**.

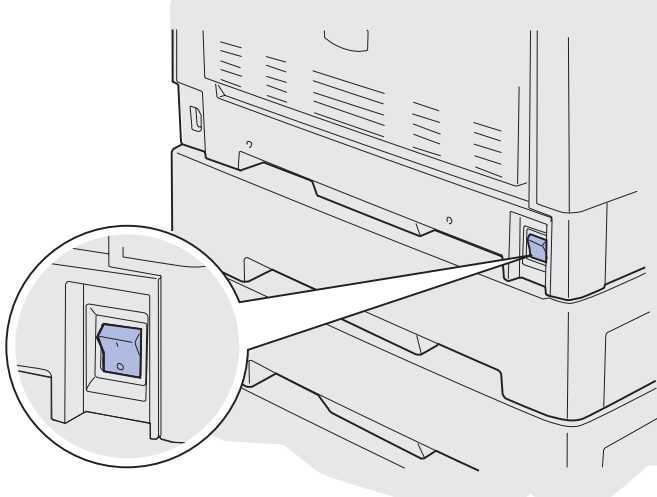


- Printing
- Using color
- Paper handling
- Maintenance
- Troubleshooting
- Administration
- Index

3 Turn the printer off.

Removing the transfer belt

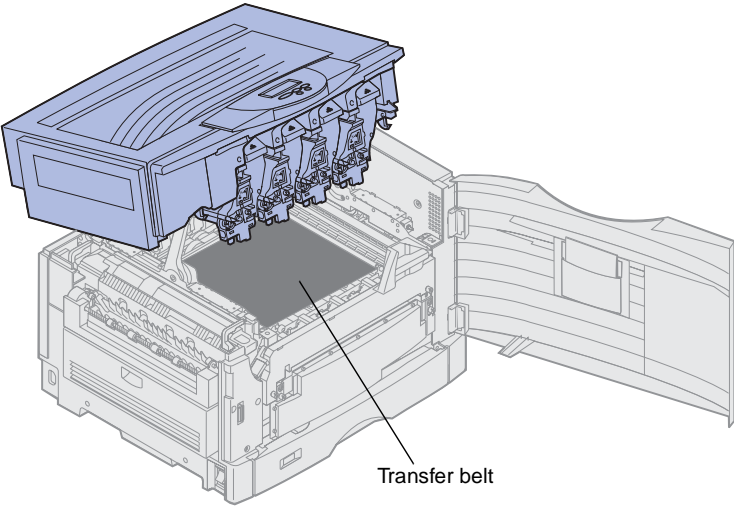
- 1 Complete the steps in **Preparing for maintenance** on **page 2**.
- 2 Make sure the printer is turned off.
- 3 Turn off or unplug any optional devices connected to the printer.



- Printing
- Using color
- Paper handling
- Maintenance
- Troubleshooting
- Administration
- Index

Warning: Do not touch, drop, or place anything on the transfer belt. Touching the surface of the transfer belt or placing items on it may cause damage.

4 Complete the steps to open the top cover.

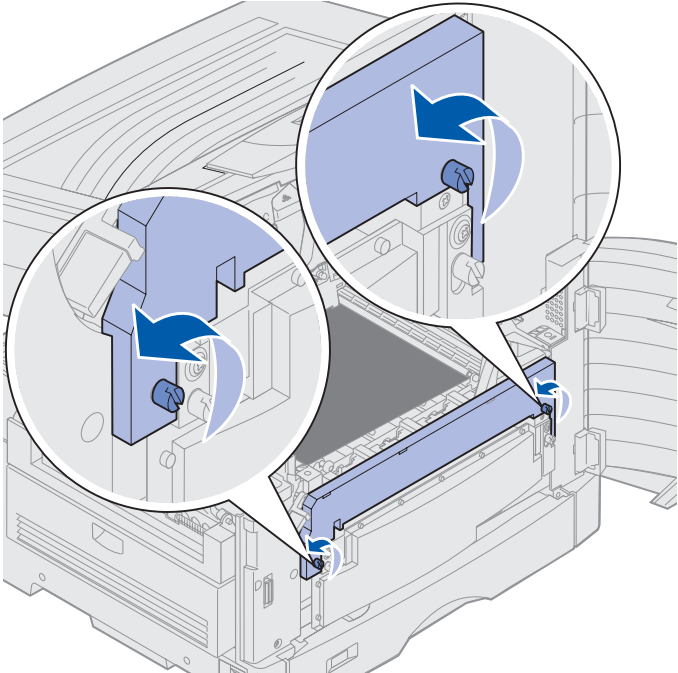


CAUTION! The inside of the printer may be hot! Allow the printer to cool before touching.



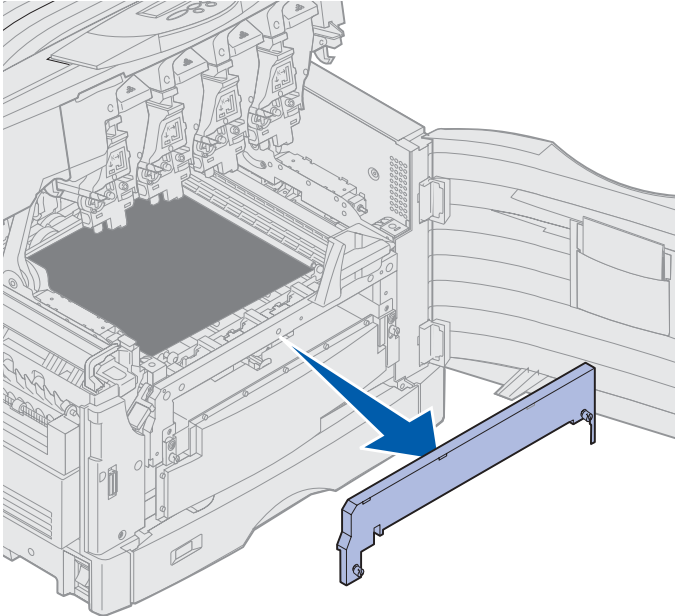
- Printing
- Using color
- Paper handling
- Maintenance
- Troubleshooting
- Administration
- Index

5 Loosen the thumbscrews on each side of the transfer belt cover.



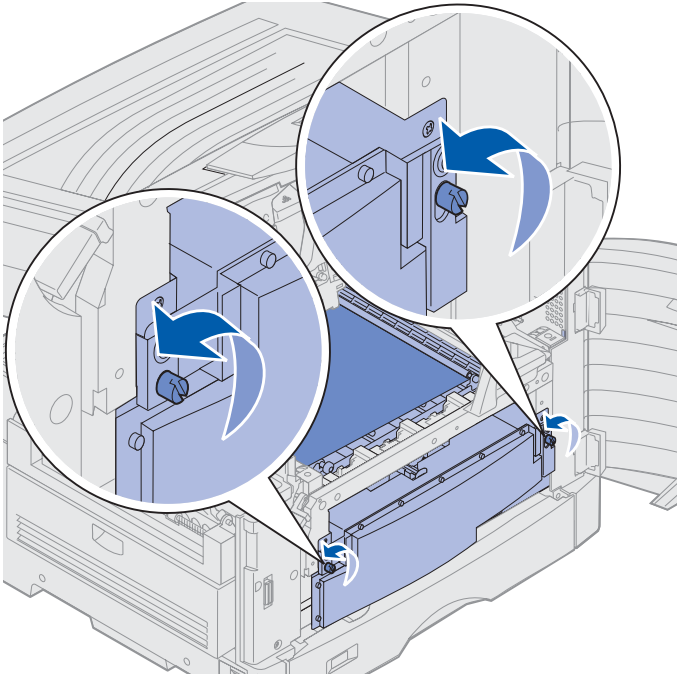
- Printing
- Using color
- Paper handling
- Maintenance
- Troubleshooting
- Administration
- Index

6 Lift and remove the transfer belt cover.



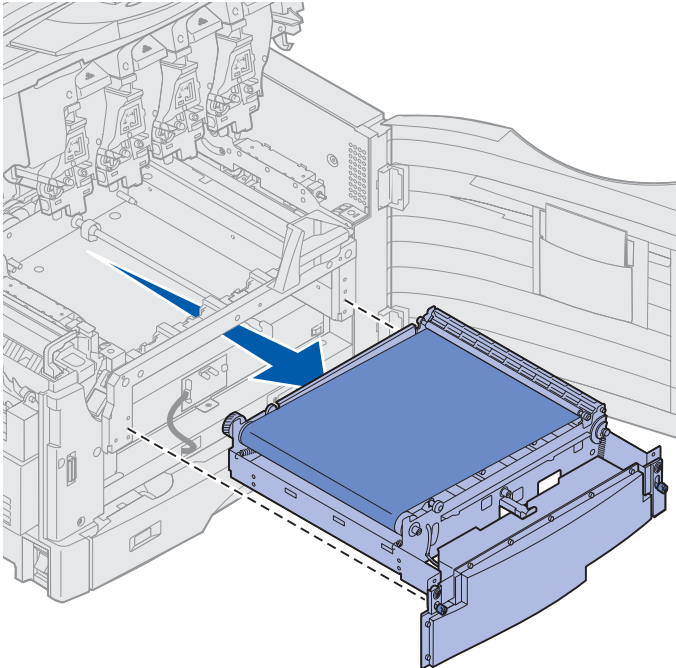
- Printing
- Using color
- Paper handling
- Maintenance
- Troubleshooting
- Administration
- Index

7 Loosen the thumbscrews on each side of the transfer belt.



- Printing
- Using color
- Paper handling
- Maintenance
- Troubleshooting
- Administration
- Index

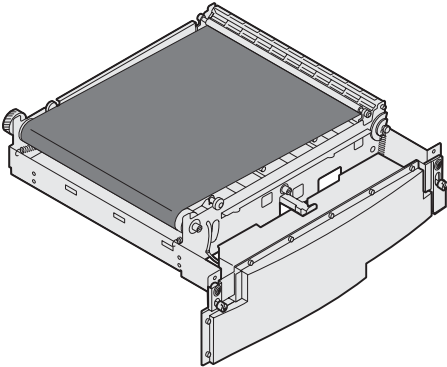
8 Pull the transfer belt out.



- Printing
- Using color
- Paper handling
- Maintenance
- Troubleshooting
- Administration
- Index

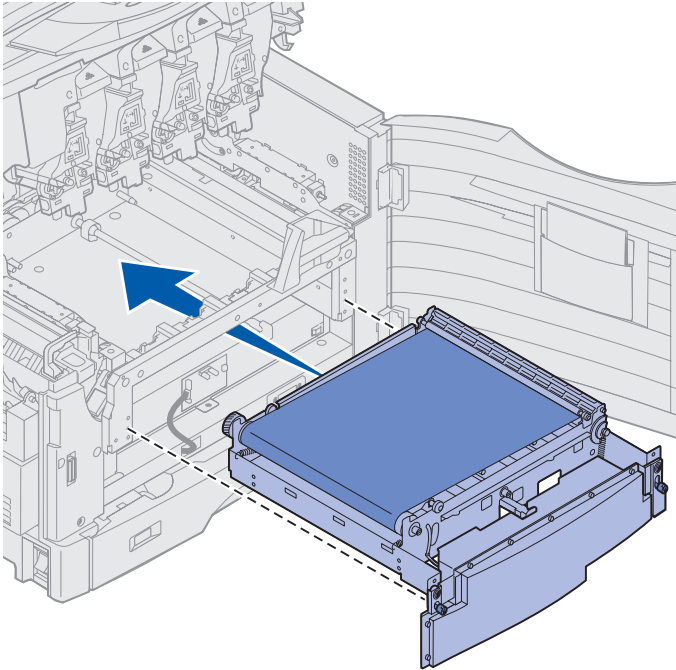
Installing the transfer belt

- 1 Remove the replacement transfer belt from the packing material.



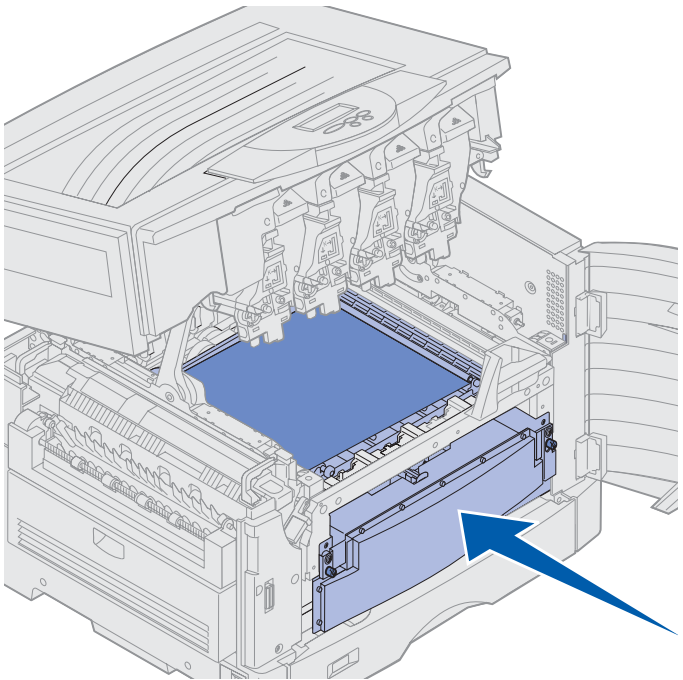
- Printing
- Using color
- Paper handling
- Maintenance
- Troubleshooting
- Administration
- Index

2 Align the transfer belt with the opening in the printer.



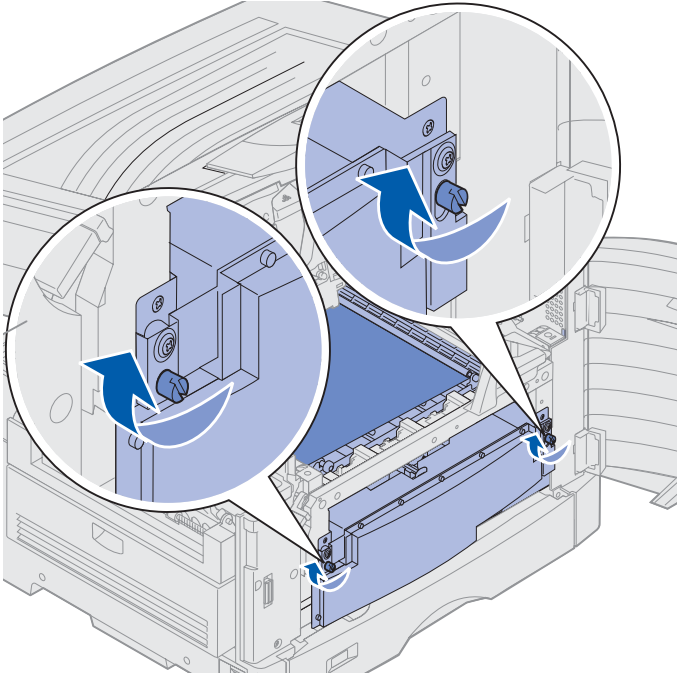
- Printing
- Using color
- Paper handling
- Maintenance
- Troubleshooting
- Administration
- Index

3 Slide the transfer belt in until it is fully seated.



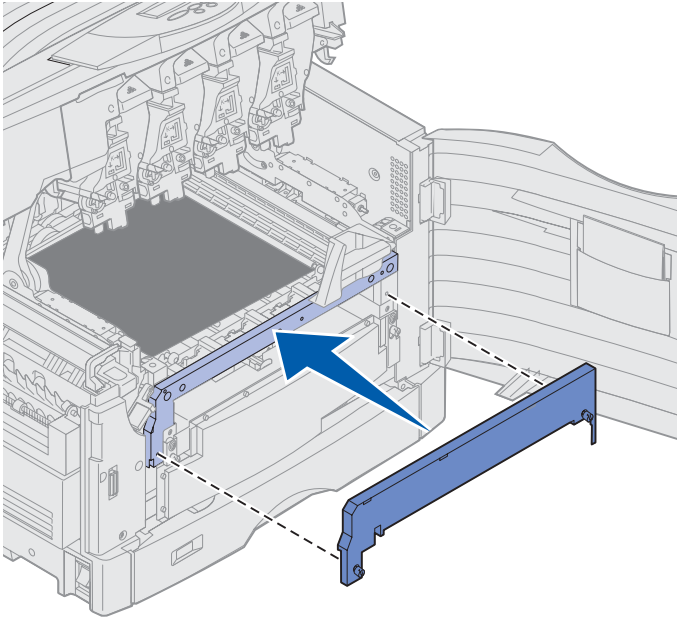
- Printing
- Using color
- Paper handling
- Maintenance
- Troubleshooting
- Administration
- Index

4 Tighten the transfer belt thumbscrews.



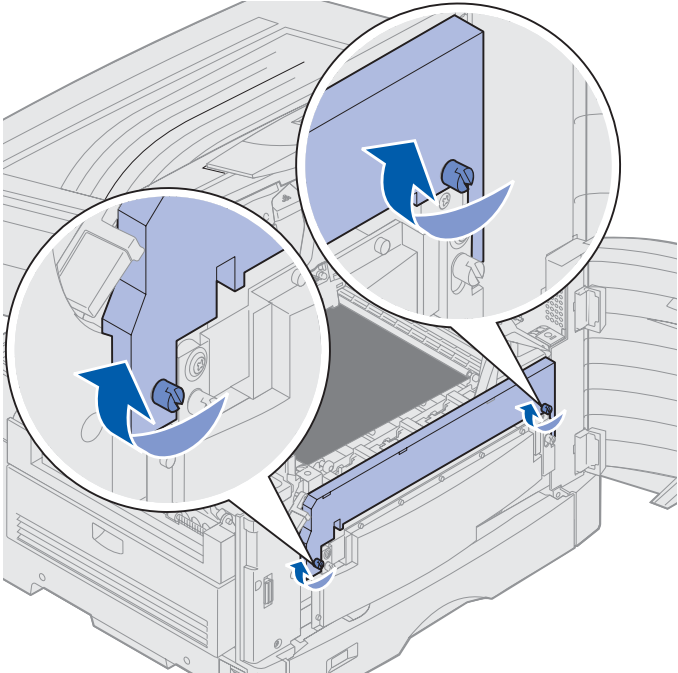
- Printing
- Using color
- Paper handling
- Maintenance
- Troubleshooting
- Administration
- Index

5 Align and place the transfer belt cover as shown.



- Printing
- Using color
- Paper handling
- Maintenance
- Troubleshooting
- Administration
- Index

6 Tighten the transfer belt cover thumbscrews.



Printing

Using color

Paper handling

Maintenance

Troubleshooting

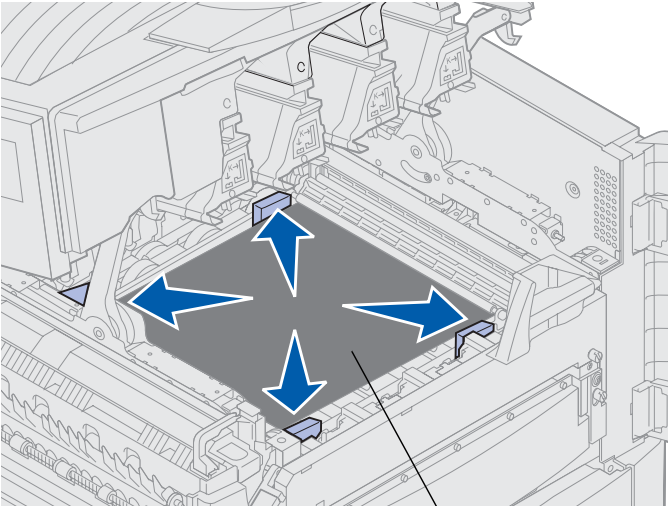
Administration

Index

Warning: Do not touch, drop, or place anything on the transfer belt. Touching the surface of the transfer belt or placing items on it may cause damage.

7 Lift and remove the four shipping spacers from the transfer belt.

Note: If you do not remove the four shipping spacers from the transfer belt, you may not be able to close the top cover.

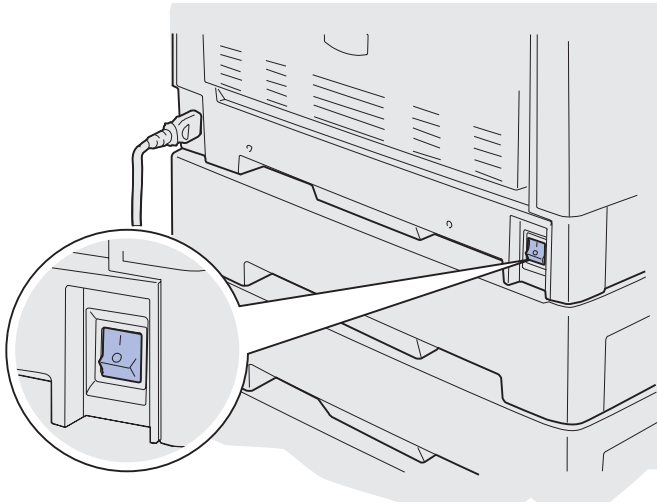


Transfer belt

- Printing
- Using color
- Paper handling
- Maintenance
- Troubleshooting
- Administration
- Index

CAUTION! Before closing the top cover make sure everyone is away from the printer and the area under the cover is free of hands, clothing, and other items.

- 8 Close the top cover and the front door.
- 9 Reconnect any optional devices to the printer.
- 10 Turn the optional devices on.
- 11 Turn the printer on.



Printing

Using color

Paper handling

Maintenance

Troubleshooting

Administration

Index

The message **Did you replace Belt?** appears.

12 Press **Go** to reset the transfer belt counter.

Once the counter is reset, the **Printing Alignment Page** message appears and a test page prints. After the test page has printed, you are prompted to enter alignment values for each setting.

13 Press **Menu** to choose the alignment value.

14 Press **Select** to enter the value and continue to the next value.

After you have entered values for each alignment setting, the transfer belt should be aligned and the printer ready to print.

Note: If you replaced the transfer belt after receiving the **80 Belt/Fuser Life Warning** message or the **80 Belt/Fuser Exhausted** message, see **Replacing the fuser** for instructions on replacing the fuser.



- Printing
- Using color
- Paper handling
- Maintenance**
- Troubleshooting
- Administration
- Index

For instructions about replacing other supply items, click one of the following headings:

- Replacing a photodeveloper
- Replacing a toner cartridge
- Replacing the fuser
- Replacing the oil coating roll ▲

