

Setup  
Installation  
Instalación

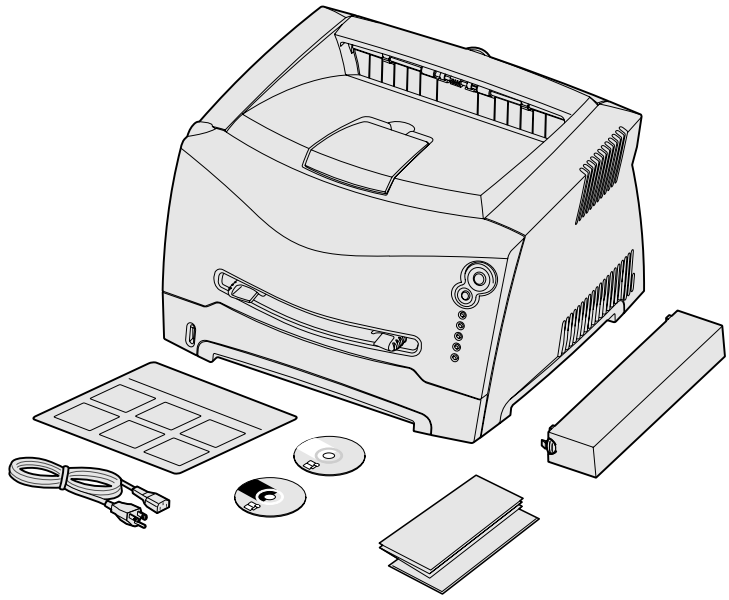
Installazione  
Instalação  
Installatie

Asennus  
Installasjon  
Instalacja

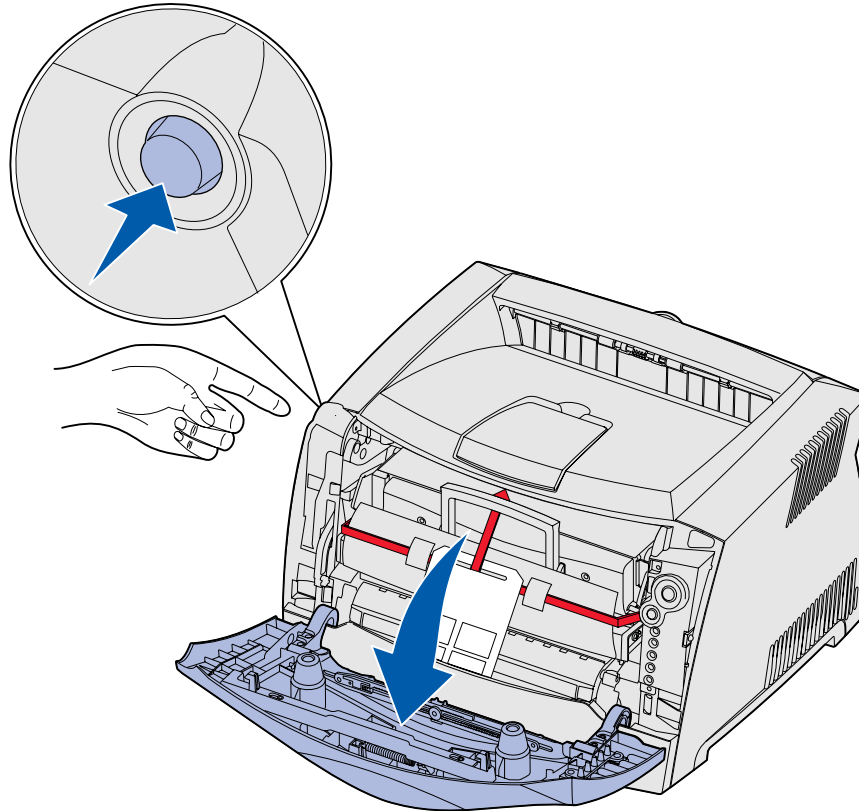
Руководство  
по установке

設置  
安裝

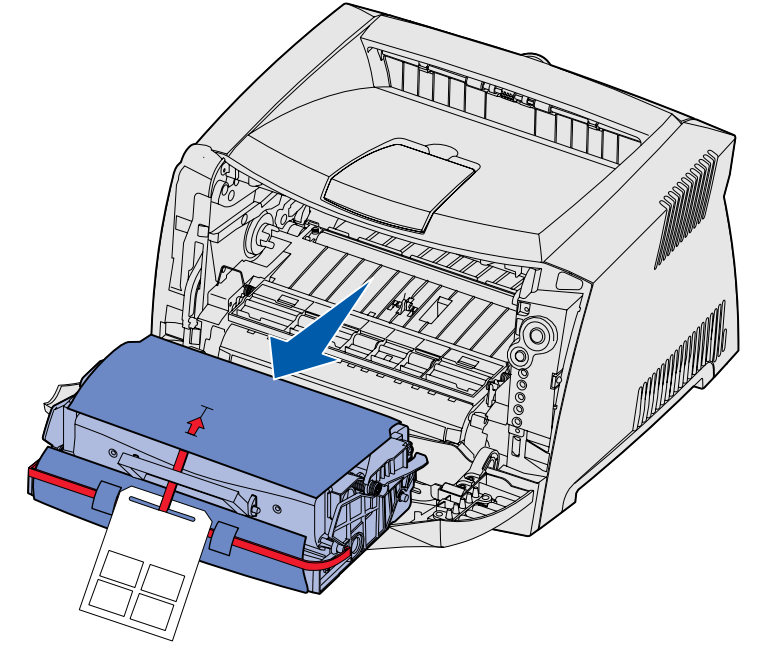
1



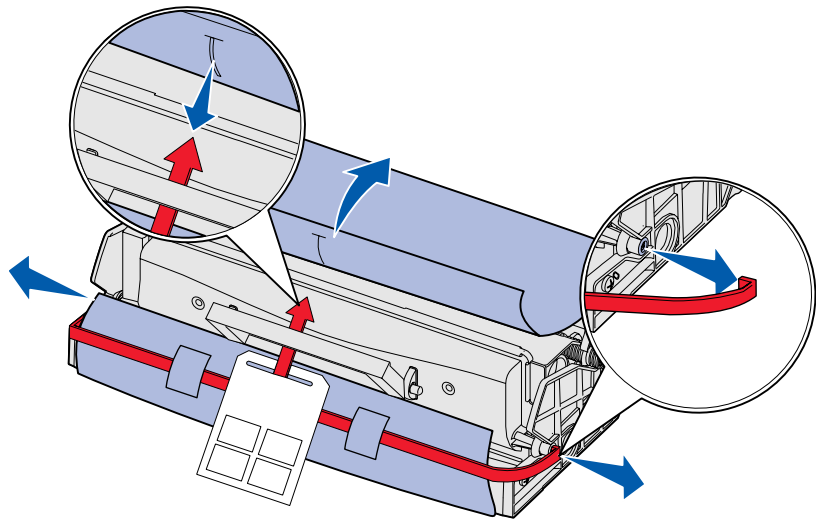
2



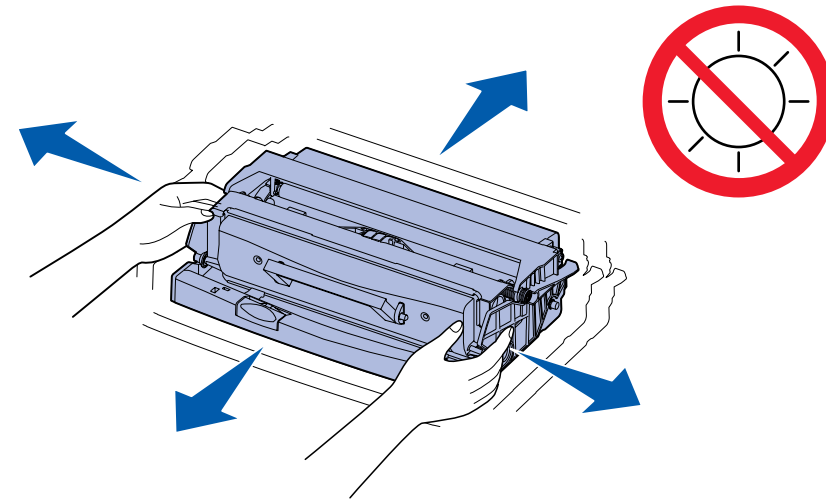
3



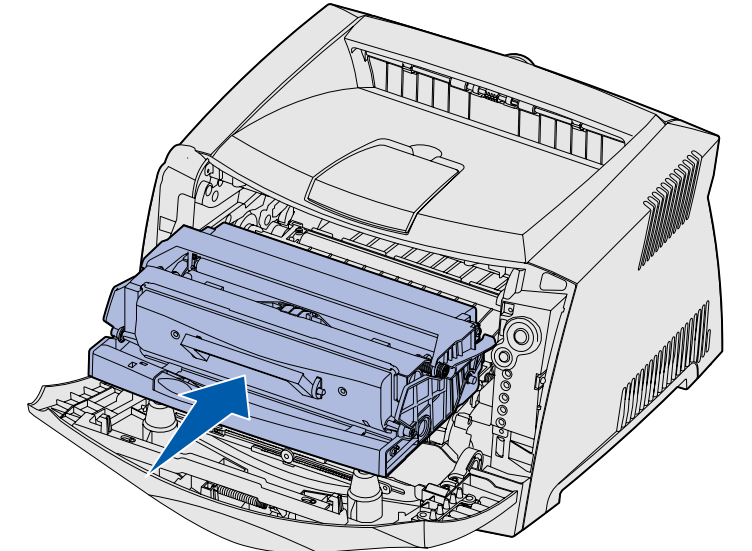
4



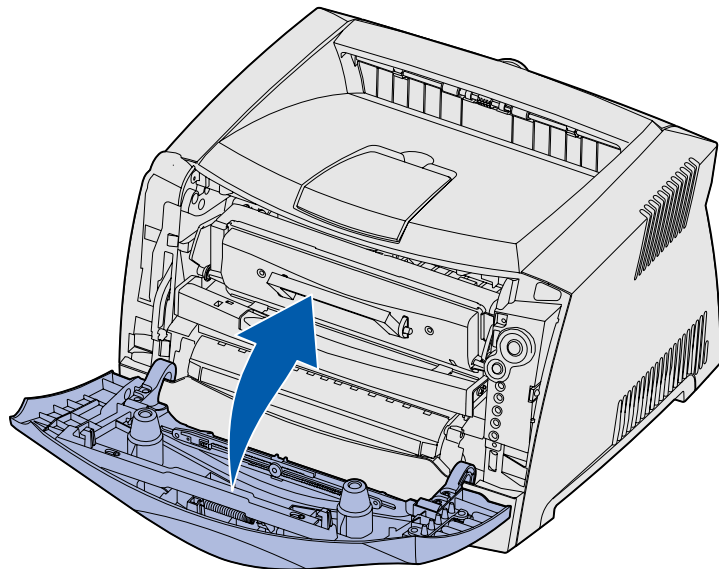
5



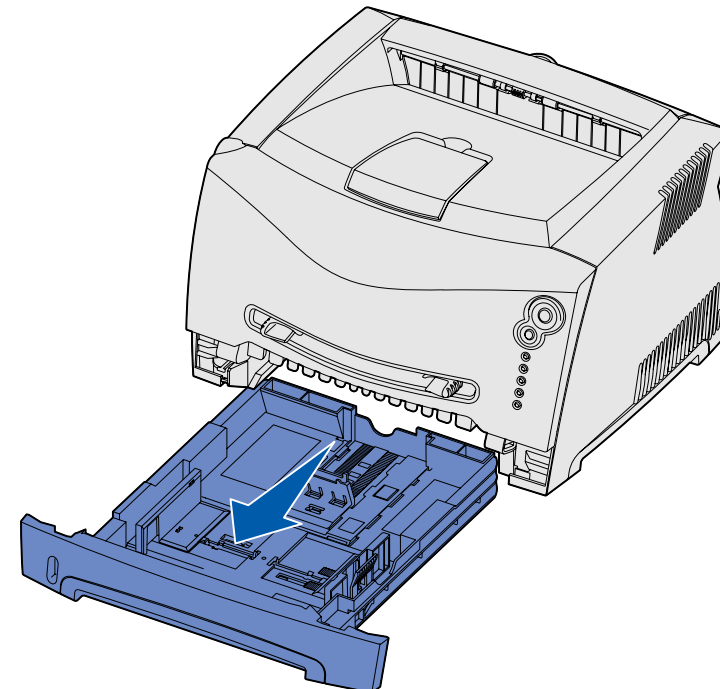
6



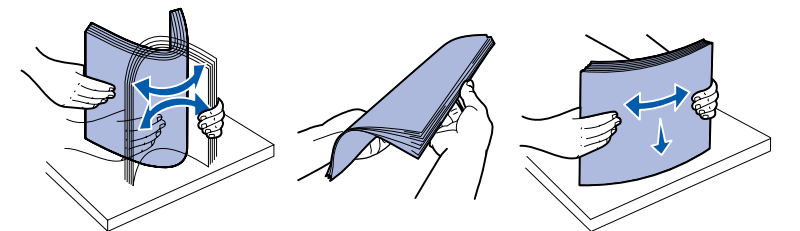
7



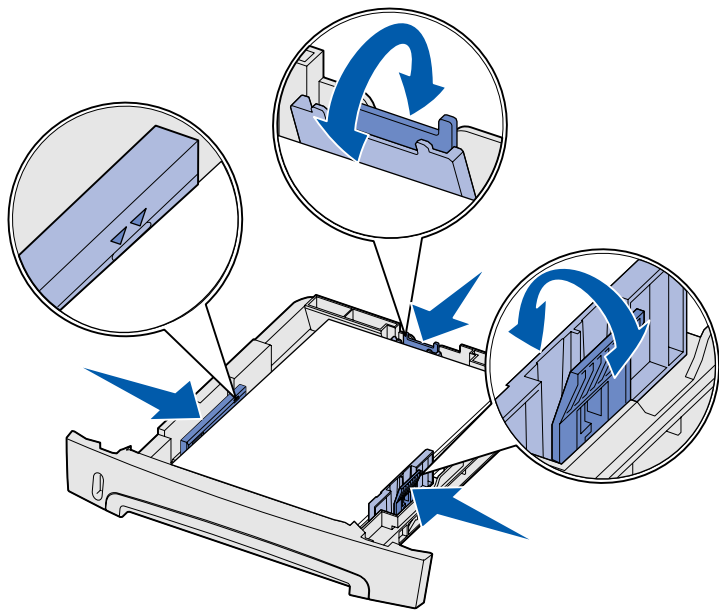
8



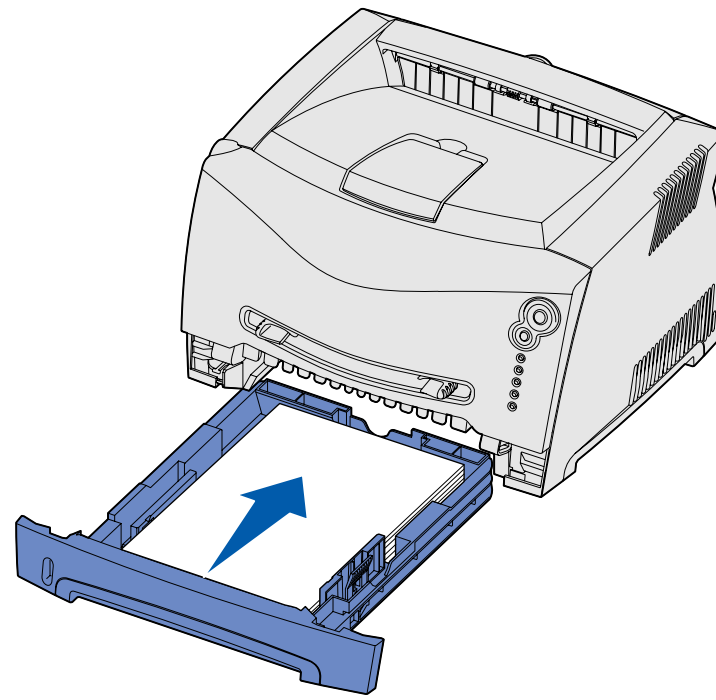
9



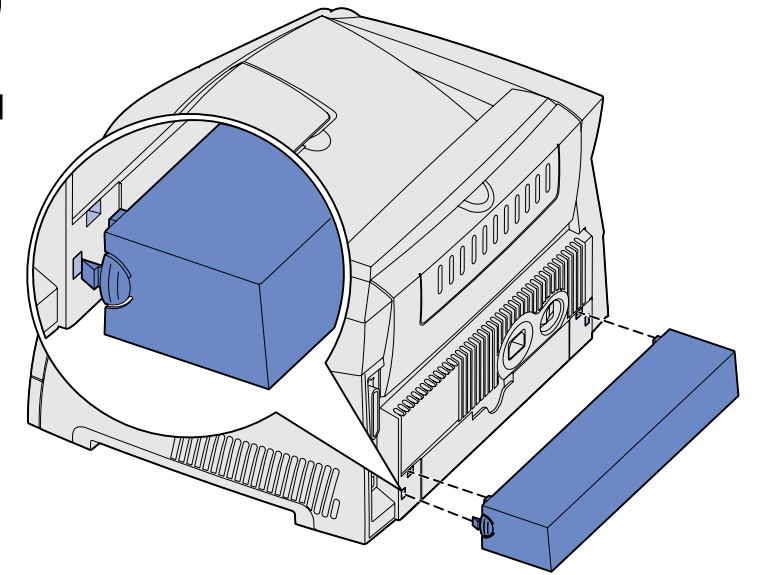
10



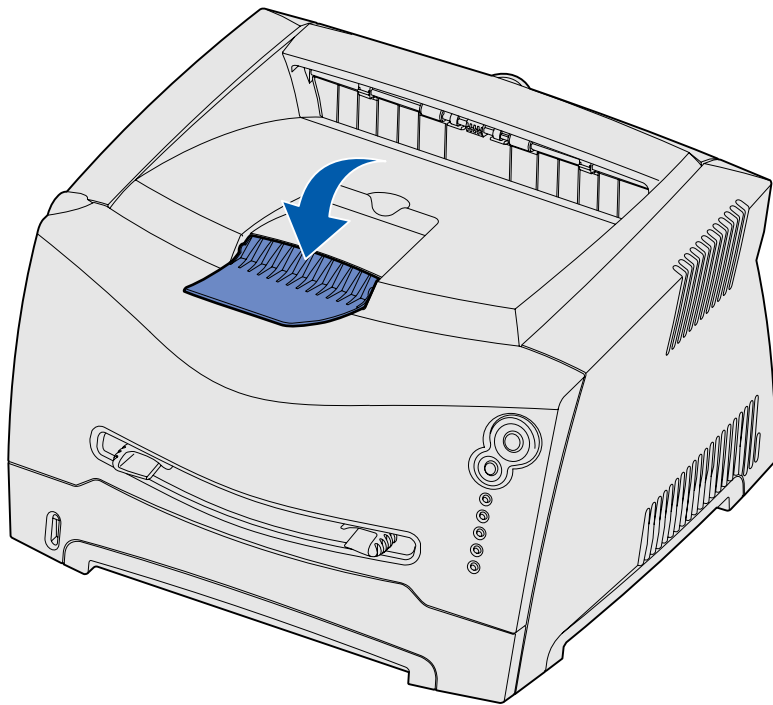
11



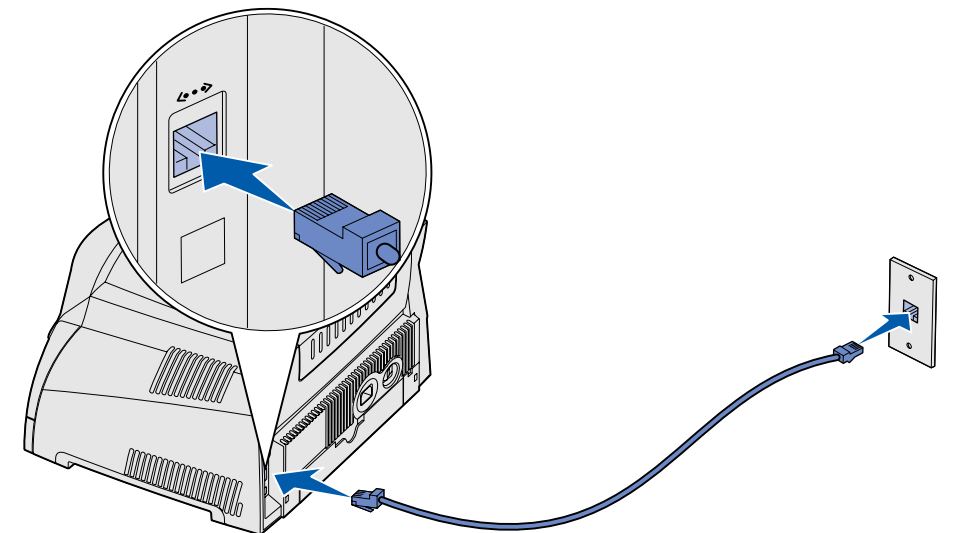
12



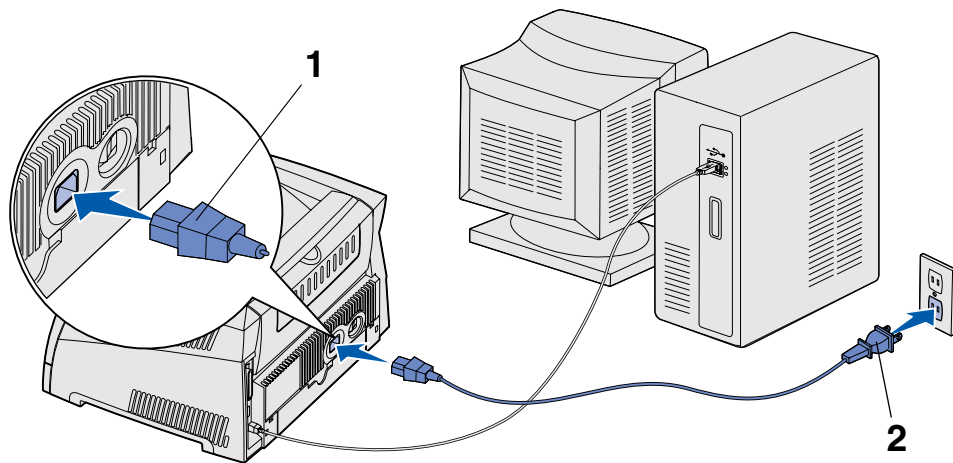
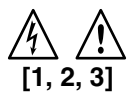
13



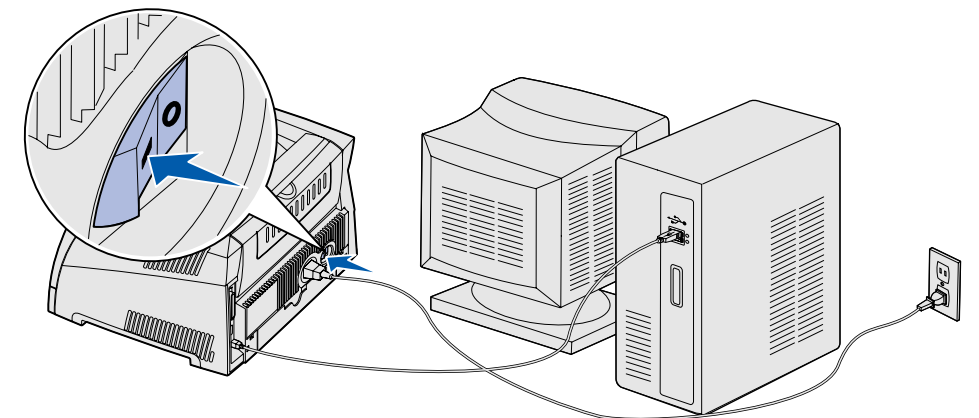
14



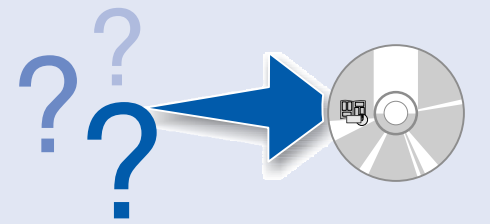
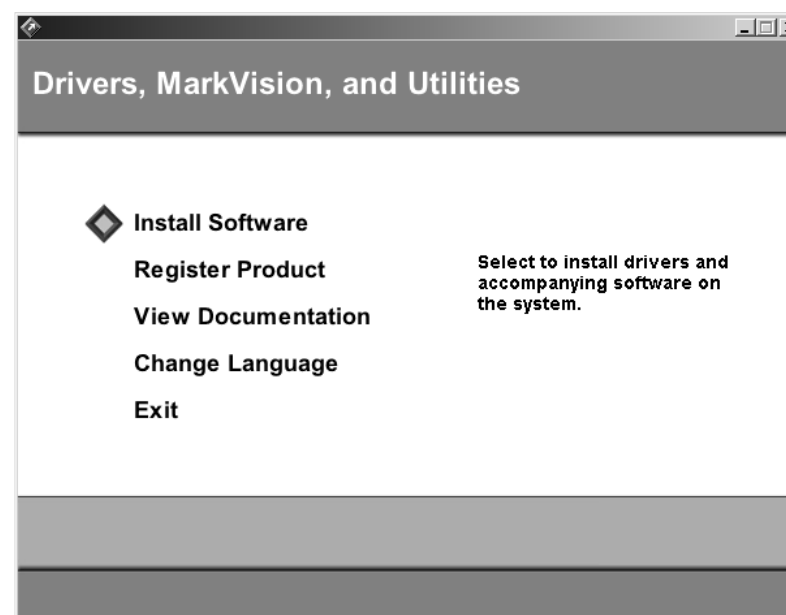
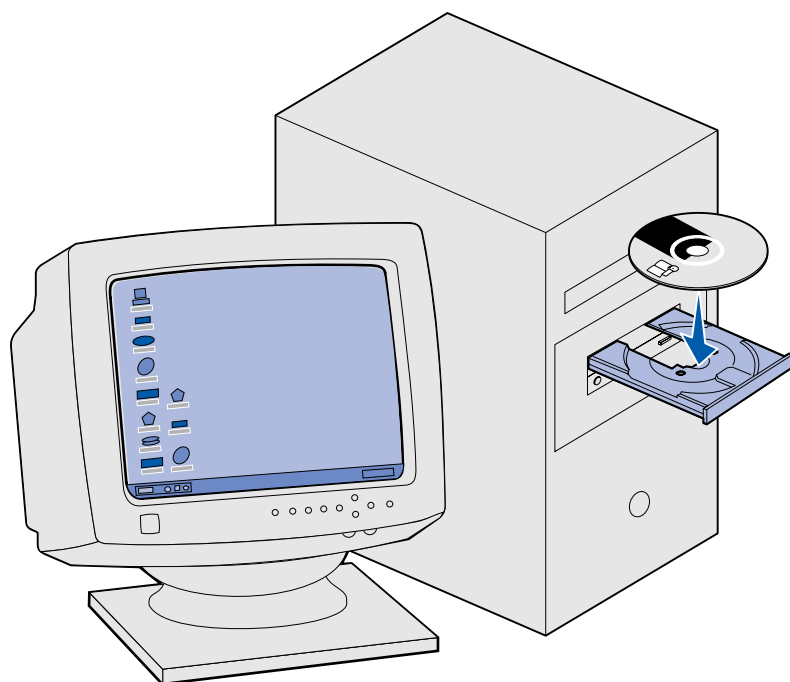
15



16



17



**Federal Communications Commission (FCC) information**

This device complies with the limits for a Class B device in Part 15 of the FCC rules. Refer to the publications CD for more compliance information.