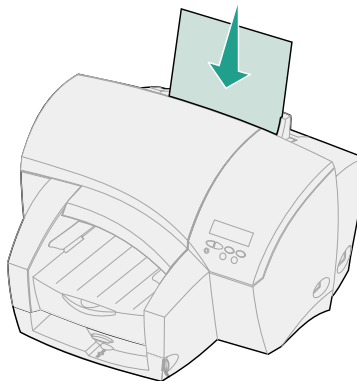


## From Windows

Once you create your t-shirt design from Lexmark Shop Deluxe or other iron-on software package:

- 1 Load one iron-on transfer with the blank side facing up into the manual feeder (or multipurpose feeder).



- 2 Open the File Menu from your software application.
- 3 Choose Print (or Printer) Setup to open your printer driver.
- 4 In the Print Setup dialog box, click **Properties**, **Options**, or **Setup** (depending on the application).



### Printing

### Print materials

### Supplies

### Troubleshooting

### Administration

- 5 From Paper Type, select Iron On.
- 6 From Paper Size, select Letter or A4.
- 7 From Paper Source, select Manual Feeder (or Multipurpose Feeder).
- 8 Click **OK**.
- 9 Click **Print**.

Follow the instructions that came with the iron-on transfers to iron the image on a t-shirt.



Printing

Print materials

Supplies

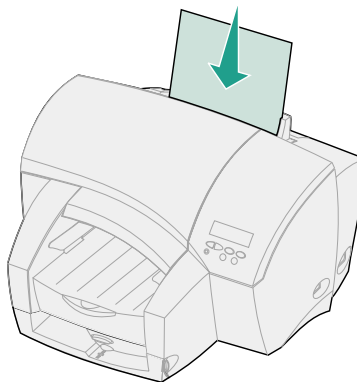
Troubleshooting

Administration

## From a Macintosh computer

Once you create your t-shirt design from Lexmark Shop Deluxe or other iron-on software package:

- 1 Load one iron-on transfer with the blank side facing up into the manual feeder (or multipurpose feeder).



- 2 Open the File Menu from your software application.
- 3 Select Page Setup.
- 4 From Paper Size, select Letter or A4.



## Printing

## Print materials

## Supplies

## Troubleshooting

## Administration

- 5 Click **OK** to close the Page Setup dialog box.
- 6 Go back to the File Menu and select **Print**.
- 7 From the pop-up menu, select Paper Handling.
- 8 From Paper Source, select Manual Paper (or Multipurpose Feeder).
- 9 From the pop-up menu, select Paper Type/Quality.
- 10 From Paper Type, select Iron-On.
- 11 Click **Print**.

Follow the instructions that came with the iron-on transfers to iron the image on a t-shirt.

