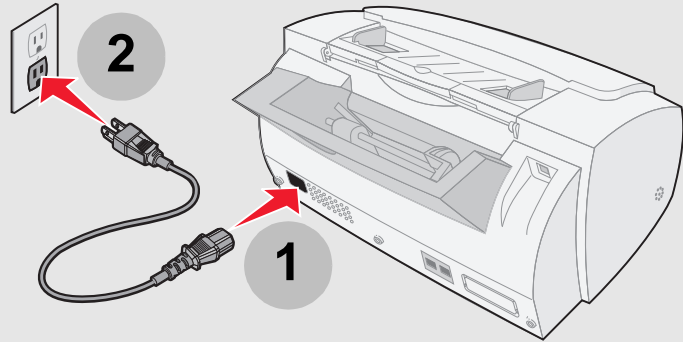
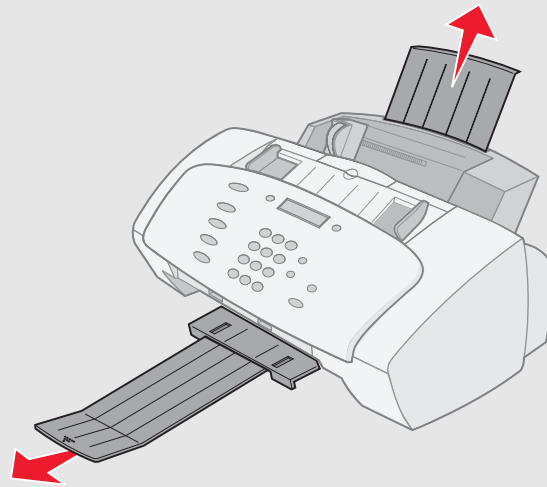


## X125 All-In-One

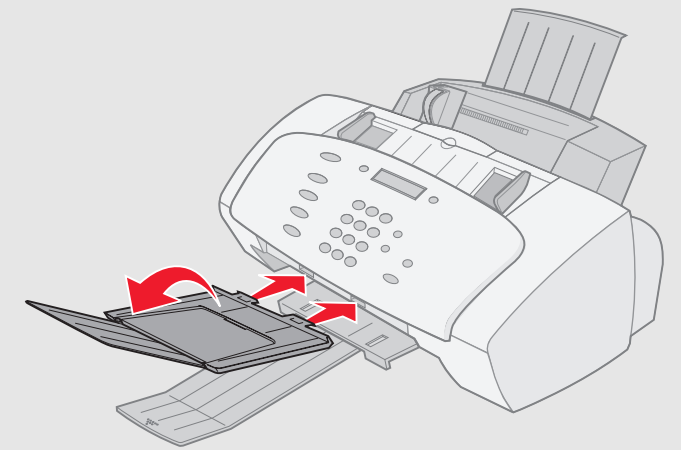
**1** Connect the power cord.



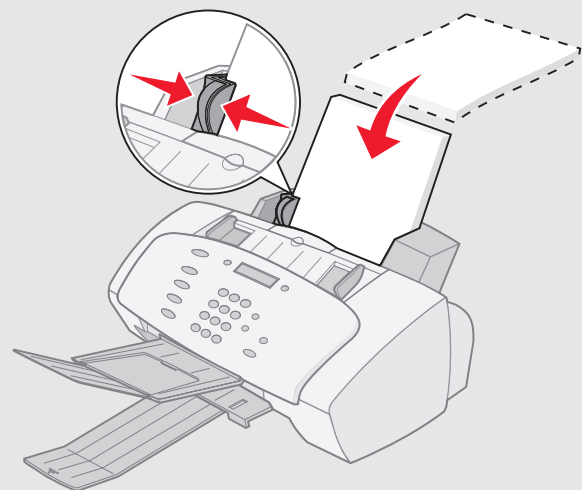
**2** Extend the paper exit tray and the paper support.



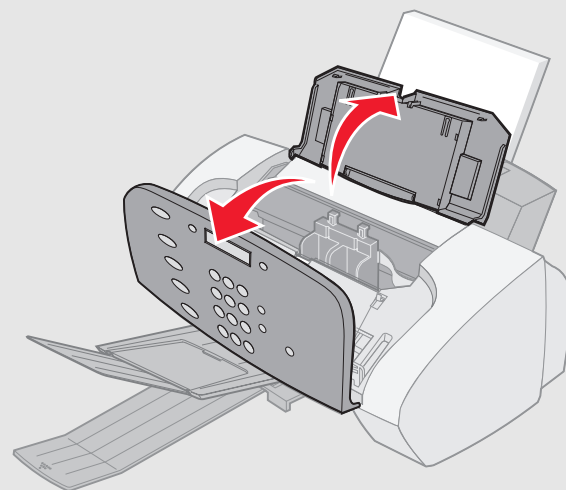
**3** Attach and extend the document exit tray.



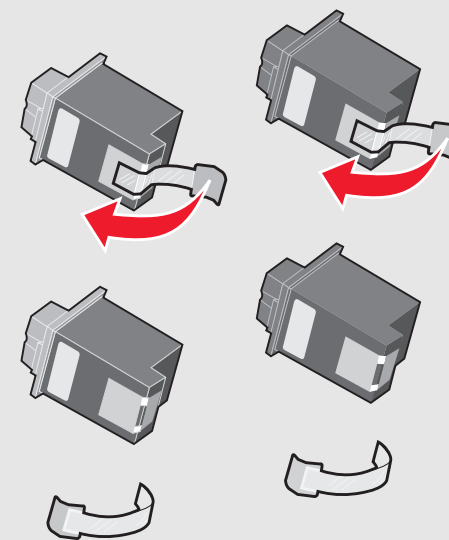
**4** Load plain inkjet paper.



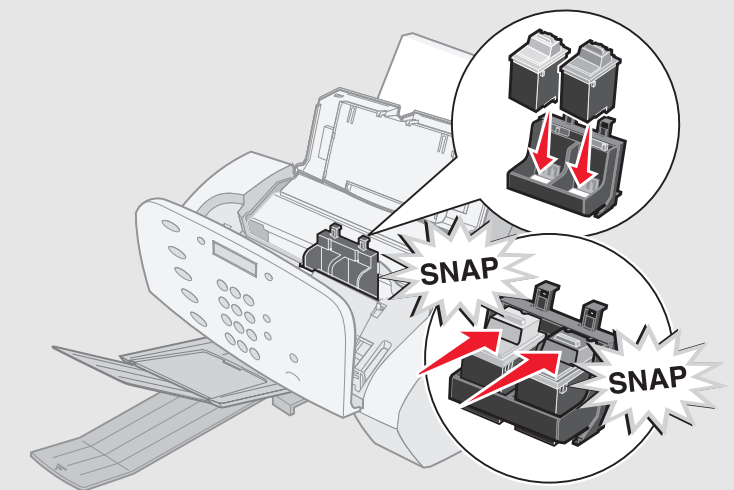
**5** Open the cartridge access doors.



**6** Remove the sticker and tape.

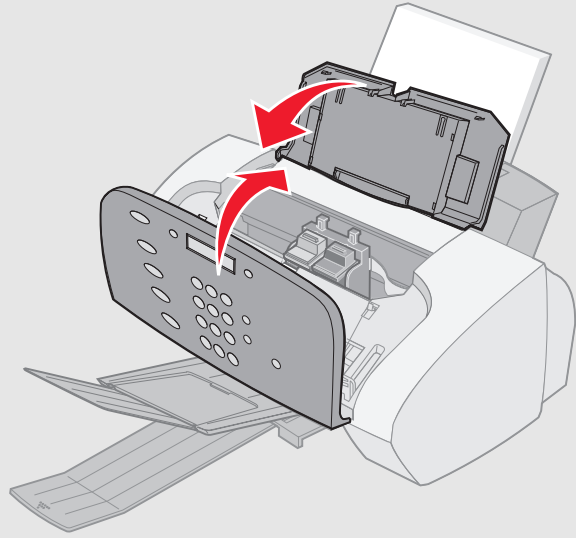


**7** Install the cartridges.



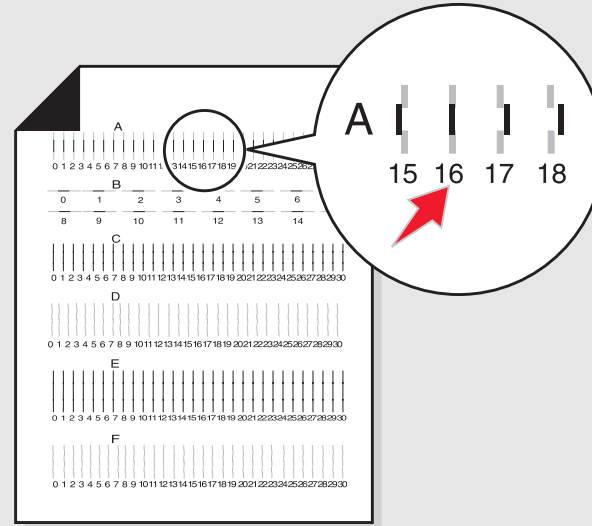
# 8

Close the cartridge access doors.



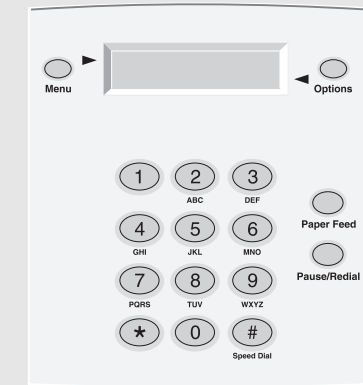
# 9

Wait for the alignment page to print.



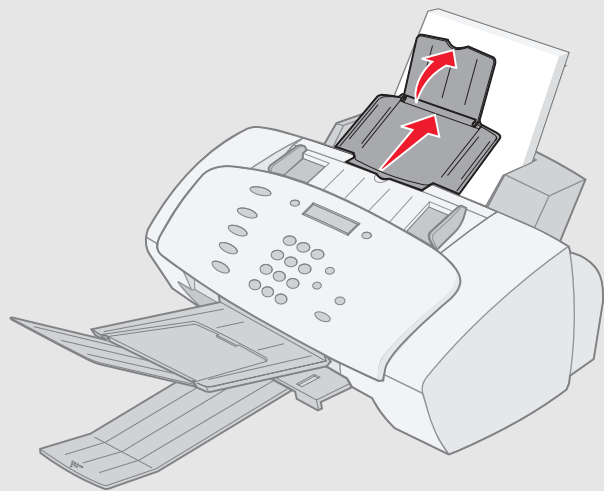
# 10

Enter the best values from the alignment page.



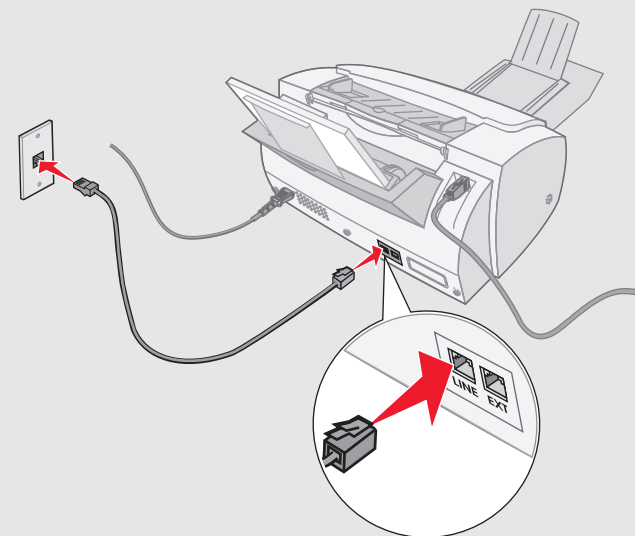
# 11

Extend the document support.



# 12

Connect the telephone cord.



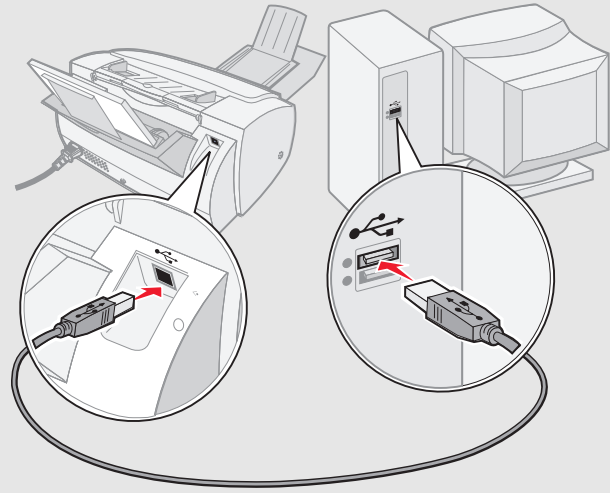
# 13

- If you are using your All-In-One with your computer, continue to the next step.
- If you are using your All-In-One without a computer, you are finished.



# 14

Connect the USB cable.



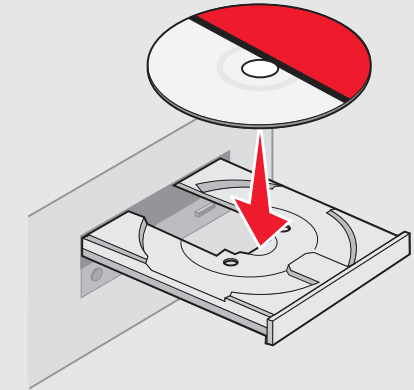
# 15

Click **Cancel**.



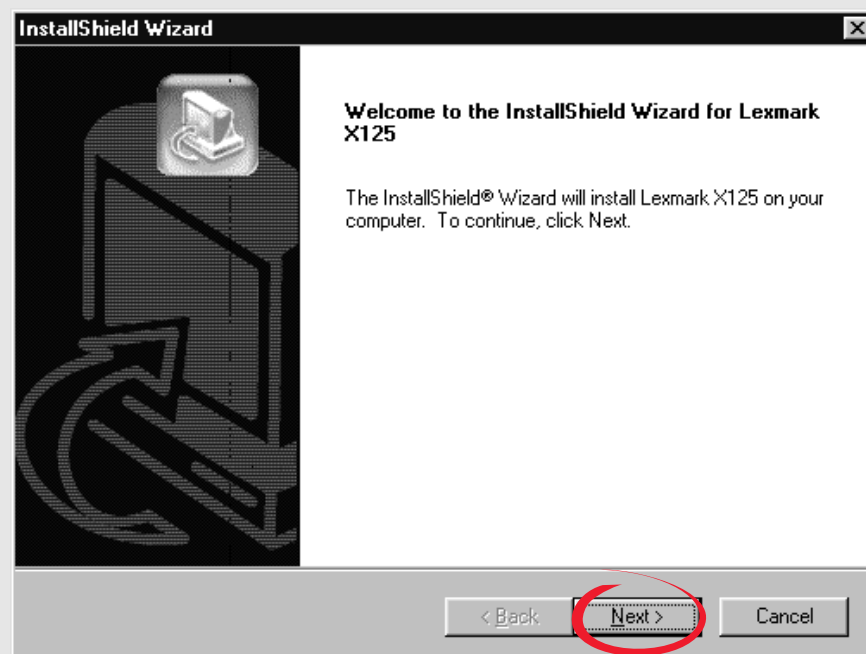
# 16

Insert the CD.



# 17

Click **Next**.



# 18

Follow the steps on your computer to install:

- Printer software, *Quick Reference*, and *User's Guide*
- Photo editing software
- OCR scanning software

# Setup questions?

## Checking first things first

If your All-In-One has a problem, first make sure:

- The power cord is plugged into your All-In-One and into a properly grounded electrical outlet.
- Your telephone cord is securely attached to the line jack on your All-In-One and to the wall jack.
- Your telephone has a dial tone.
- The cartridge access doors are both completely closed.
- Ready appears on the display.
- The sticker and transparent tape covering the bottom of the cartridges are removed.

When I inserted the installation software CD, nothing happened.

- 1 Close all open programs.
- 2 Restart your computer.
- 3 Make sure you click **Cancel** on any screens similar to the one in step 15 on the setup sheet.
- 4 Eject, and then reinsert the installation software CD.
- 5 From your desktop, double-click **My Computer**.
- 6 Double-click your **CD-ROM drive** icon. If necessary, double-click **setup.exe**.
- 7 Continue with step 17 on the setup sheet.

# Safety information

- **CAUTION:** Do not make any cabling connections during a lightning storm.
- Connect the power cord to properly grounded electrical outlet that is near the product and easily accessible.

Refer to the *Quick Reference* for other setup and safety information.

