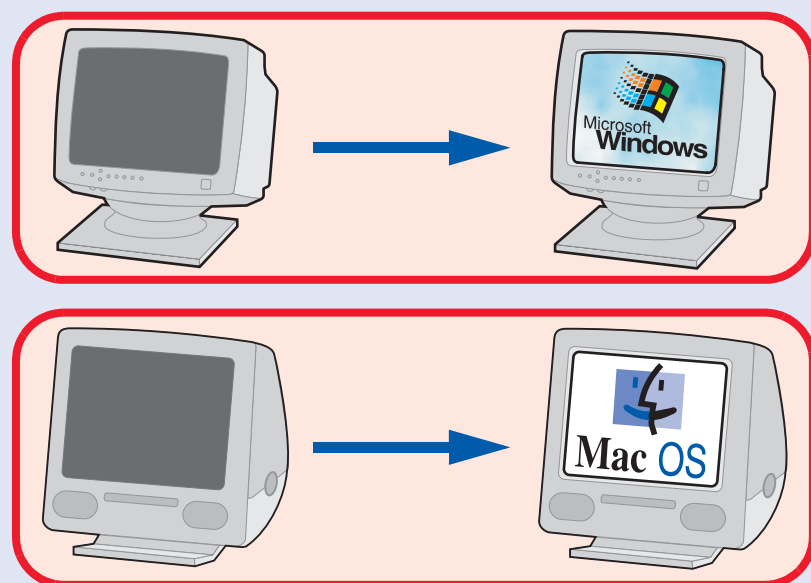
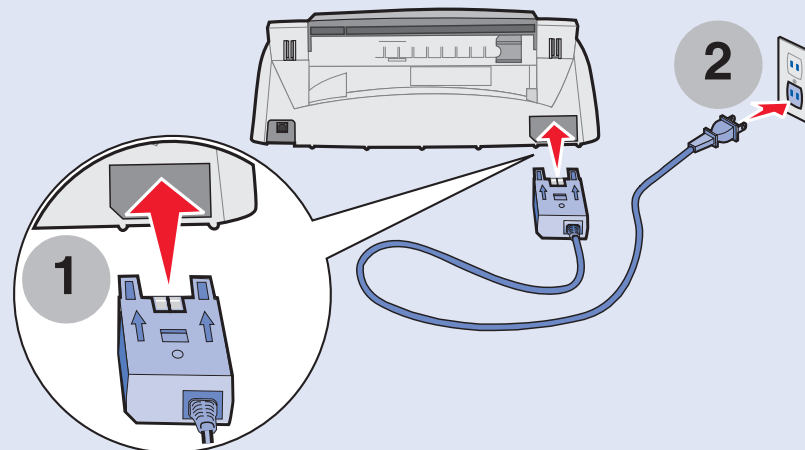




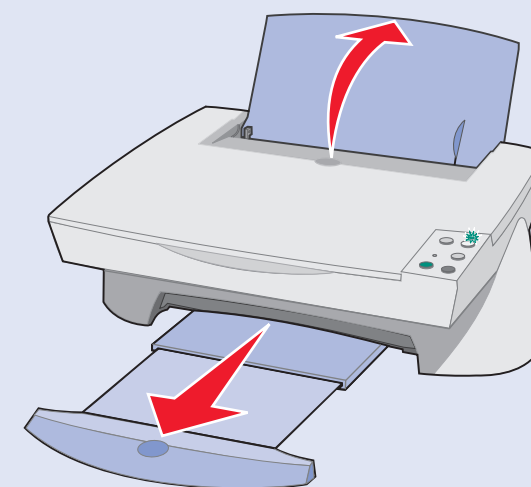
1 Turn your computer on.



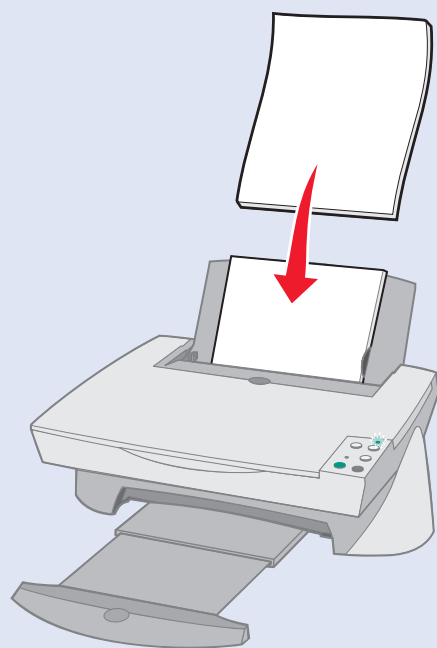
2 Connect the power supply.



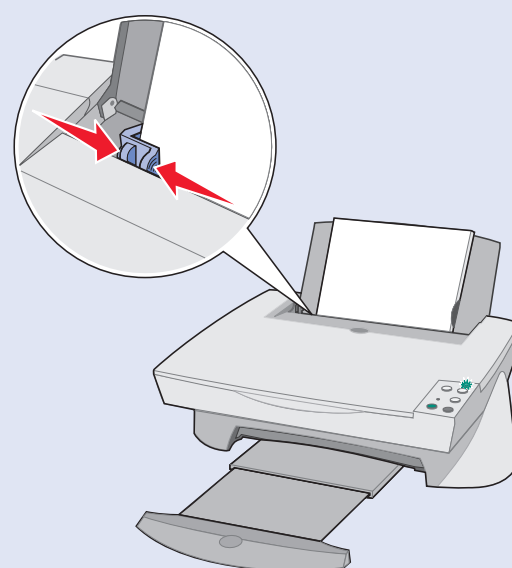
3 Lift the paper support and extend the paper exit tray.



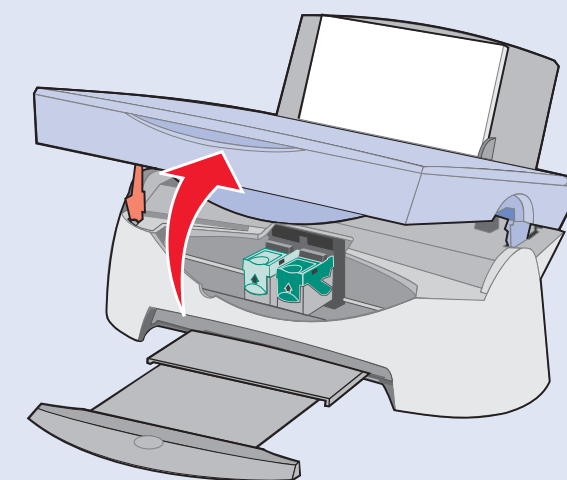
4 Load plain inkjet paper.



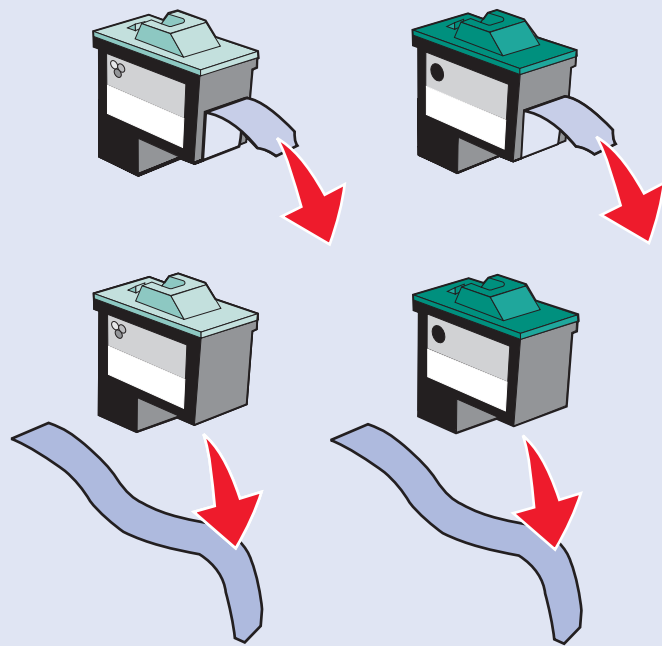
5 Adjust the paper guide.



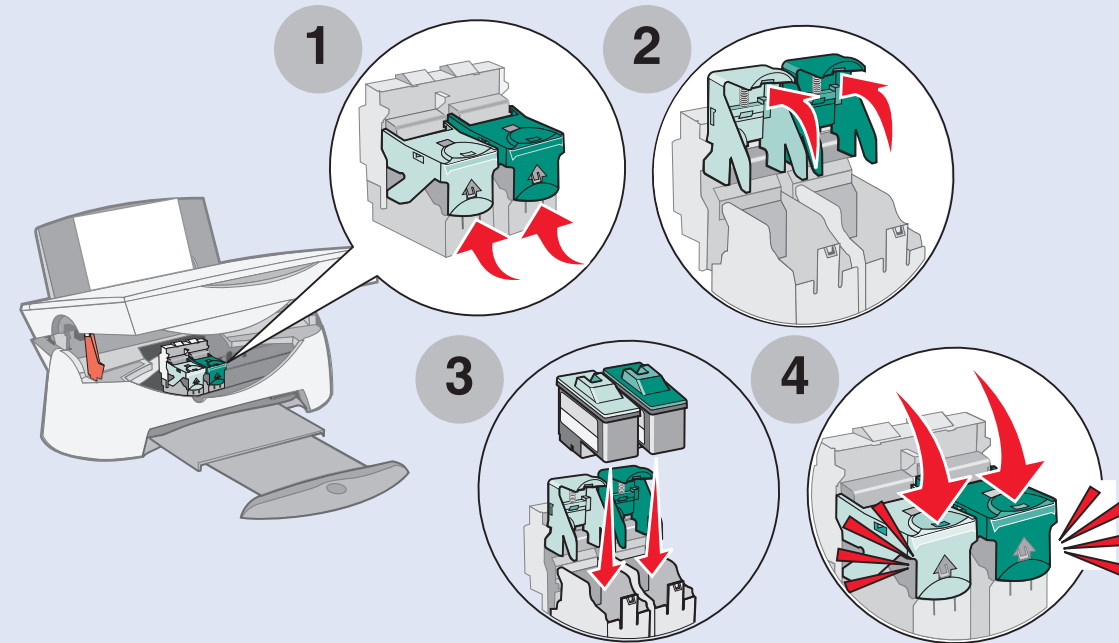
6 Lift the scanner unit.



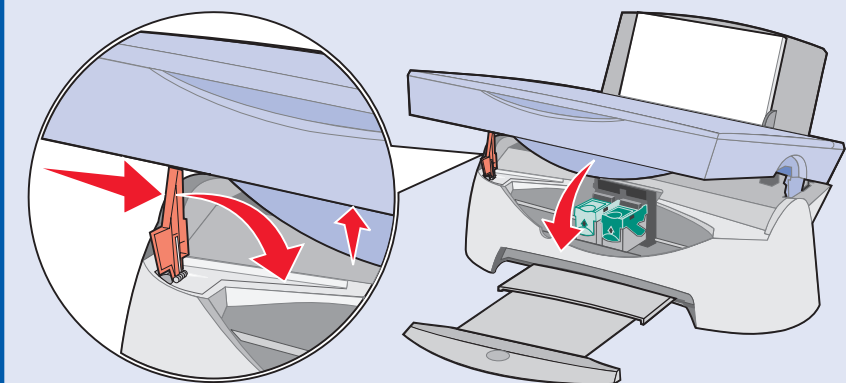
7 Remove the tape.



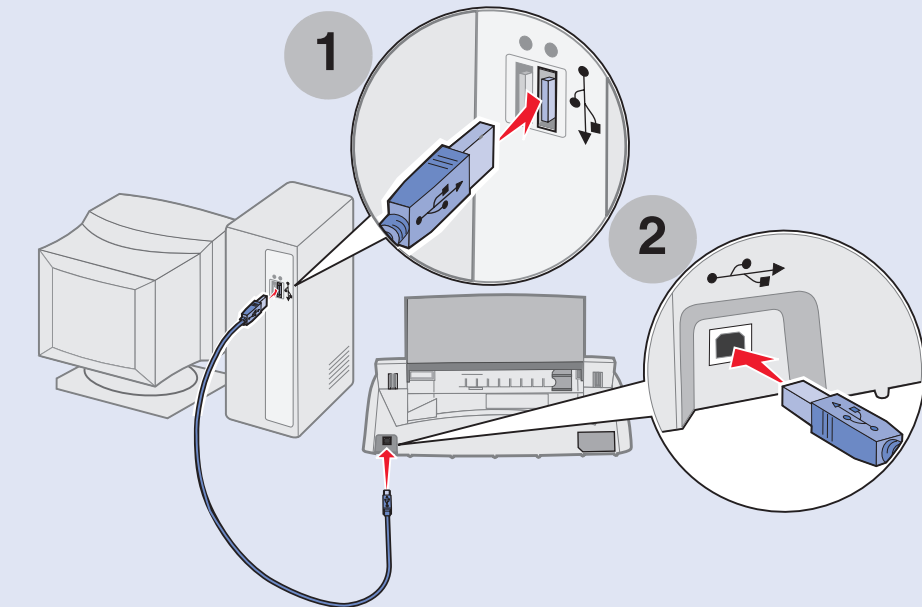
8 Insert the print cartridges.



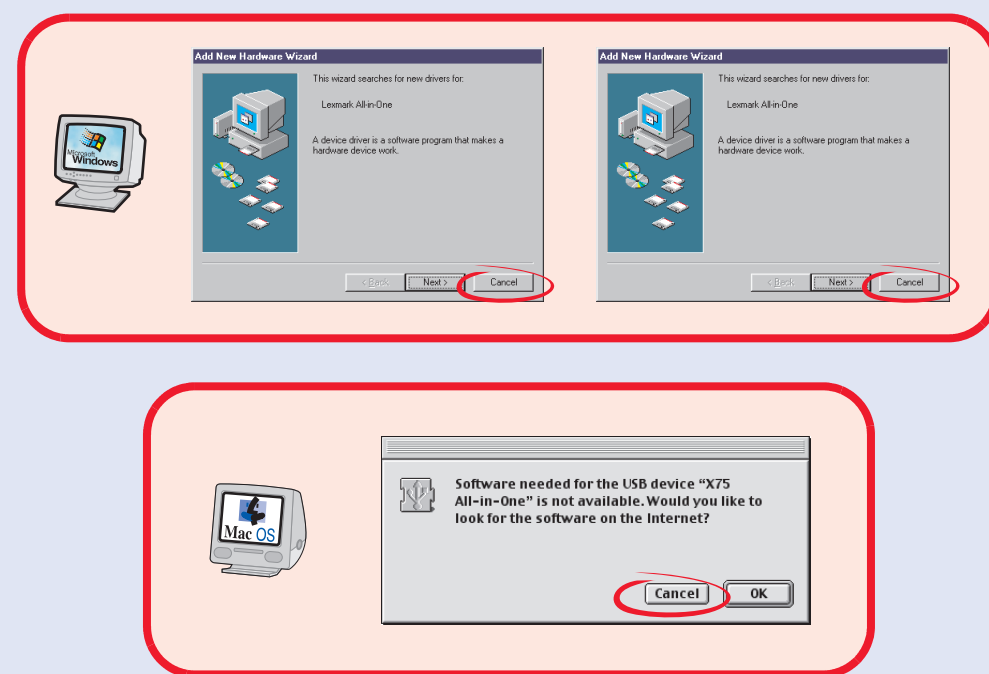
9 Close the scanner unit.



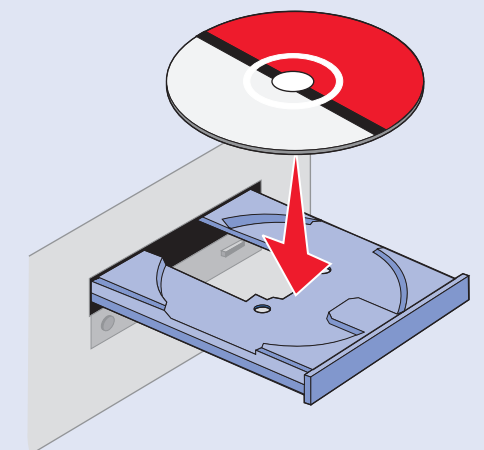
10 Connect the USB cable.



11 **Important!** Click **Cancel** on all Add New Hardware screens.



12 Insert the CD.



Follow the instructions on your computer screen.