

Disassembly of Waste Electrical and Electronic Equipment (WEEE) Manual

EU Waste Electronic and Electrical Equipment Directive require producers to provide information of the different electronic and electrical materials and components found in their products at its end-of-life, and disassembly references to treatment and recycling facilities.

The disassembly information for this product has been prepared for use by a recognized treatment or recycling facility and is not intended to be used by others.

1. Product information
2. Materials and components list for selective treatment
3. Disassembly tools
4. Disassembly references

The following information is intended only for the use of treatment and recycling facilities.

1. Product information

Model name(s)—Indicate all model name(s) within the product family

Model name
Lexmark B2236 series – Lexmark B2236dw
Lexmark MB2236 series – Lexmark MB2236adw, Lexmark MB2236adwe, Lexmark MB2236i

* Add rows as needed

2. Materials and components list for selective treatment

Items	Quantity	Notes
Polychlorinated biphenyls (PCB) containing capacitors	0	N/A
Mercury containing components, such as switches or backlighting lamps	0	N/A
Batteries	1	Controller board of Lexmark MB2236 series only
Printed circuit boards greater than 10 cm²	multiple	6 – Lexmark B2236dw 8 – Lexmark MB2236 series 7 – Lexmark MB2236i For details, see Annex B
Toner cartridges, liquid and pasty, as well as colour toner	2	1 – Toner cartridge 1 – Imaging unit
Plastic containing brominated flame retardants	7	For details, See Annex A
Asbestos waste and components which contain asbestos	0	N/A
Cathode ray tubes	0	N/A

**B2236, MB2236 Series
Location**

Chlorofluorocarbons (CFC), Hydrochlorofluorocarbons (HCFC) or Hydrofluorocarbons (HFC), Hydrocarbons (HC)	0	N/A
Gas discharge lamps	0	N/A
Liquid Crystal Display (LCD) greater than 100 cm² and those back-lighted with Gas discharge lamps	0	N/A
External electrical cables	1	Power cord located on the back lower right quadrant
Components containing refractory fibres	0	N/A
Components containing radioactive substances	0	N/A
Electrolyte capacitors containing substances of concern (<i>capacitors with height > 25 mm, diameter > 25 mm or proportionately similar volume</i>)	0	N/A

3. Disassembly tools




Item
#2 Phillips screwdriver, magnetic
Wire cutter
E-clip puller or small flat-head screwdriver
Standard slotted head screwdriver

4. Disassembly references

4.1. Removal procedure(s)

WEEE materials and components removal procedures are available upon request.
Contact: recycling@lexmark.com

4.2. Graphical illustration of material's and component's location

-  LCD >100 cm² are identified with cyan-filled boxes
-  PCBs >10 cm² are identified with green-filled boxes
-  Printer components containing Brominated flame retardants are identified with orange-filled boxes

**B2236, MB2236 Series
Location**

B2236 Imaging Unit



B2236 Toner Cartridge



**B2236, MB2236 Series
Location**

MB2236 Imaging Unit



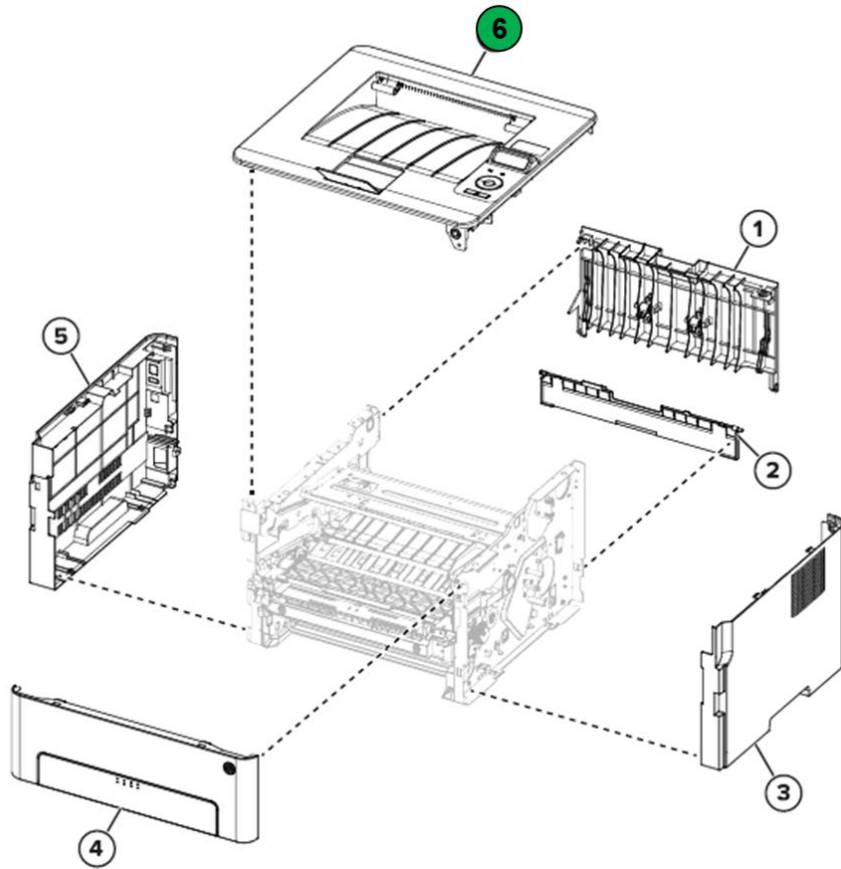
MB2236 Toner Cartridge



**B2236, MB2236 Series
Location**

Printed Circuit Boards >10cm² and Brominated Plastic Components

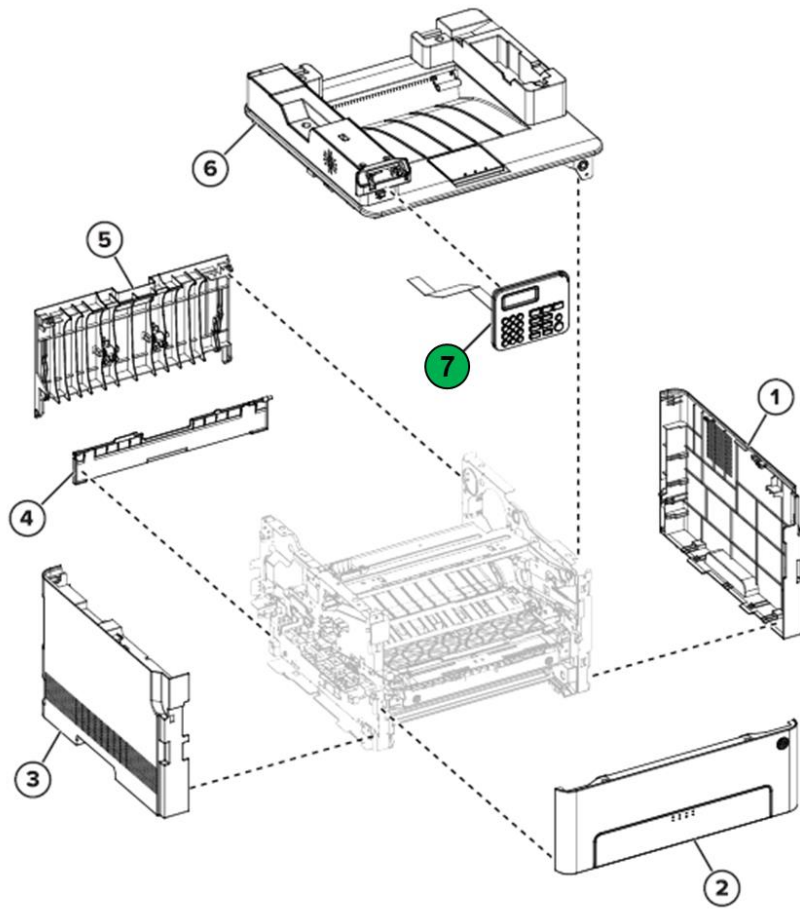
B2236 Control Panel



Index	Description
6	Control panel board within the assembly

**B2236, MB2236 Series
Location**

MB2236 Control Panel

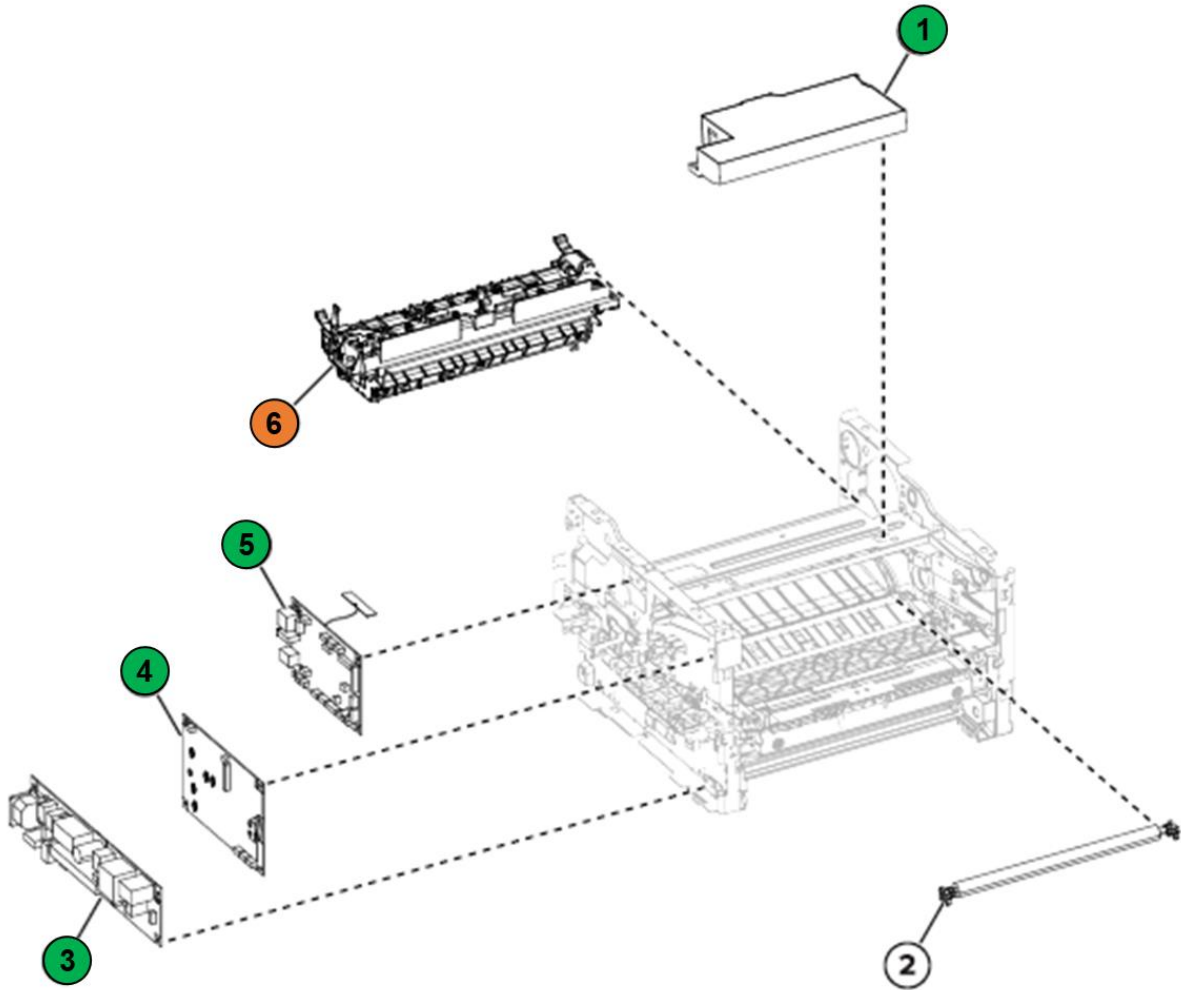


Index	Description
7	Control panel board within the assembly

B2236, MB2236 Series
Location

Printed Circuit Boards >10cm² and Brominated Plastic Components

Electronics

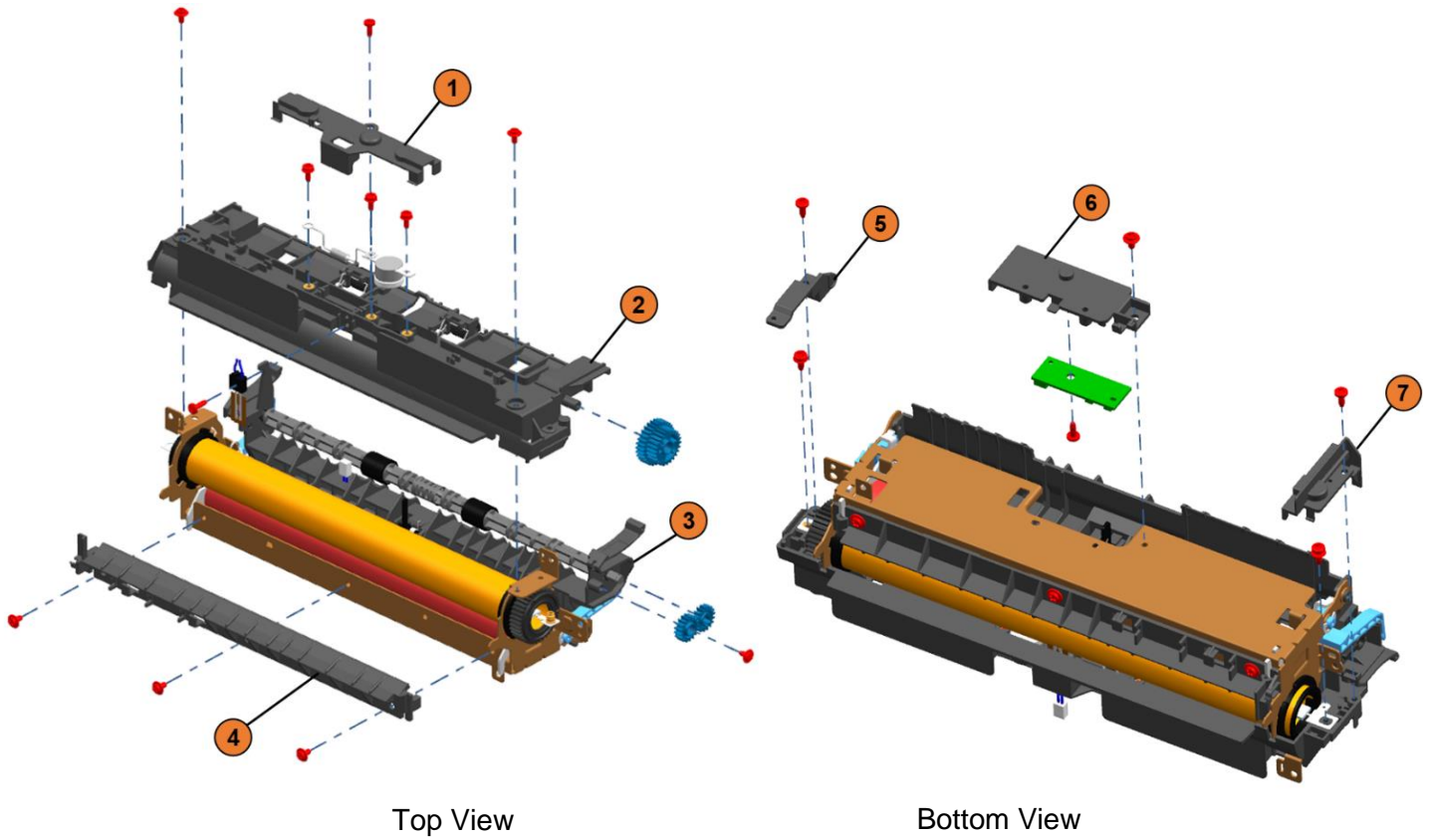


Index	Description
1	Printhead assembly
3	Low voltage power supply
4	High voltage power supply
5	Controller board
6	Fuser assembly (See next page)

B2236, MB2236 Series
Location

Brominated Plastic Components

Fuser

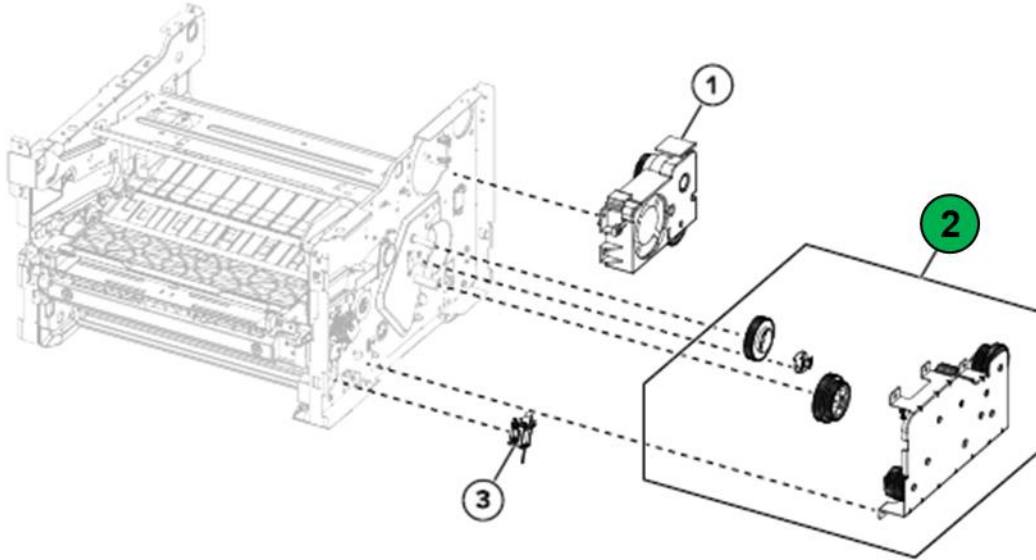


Index	Description
1	Fuser Thermistor Cover
2	Fuser Top Cover
3	Fuser Exit Drive shaft
4	Fuser Entry Guide
5	Fuser exit sensor cover
6	Fuser bottom left drive gear cover
7	Fuser bottom right cover

**B2236, MB2236 Series
Location**

Printed Circuit Boards >10cm² and Brominated Plastic Components

Main drive

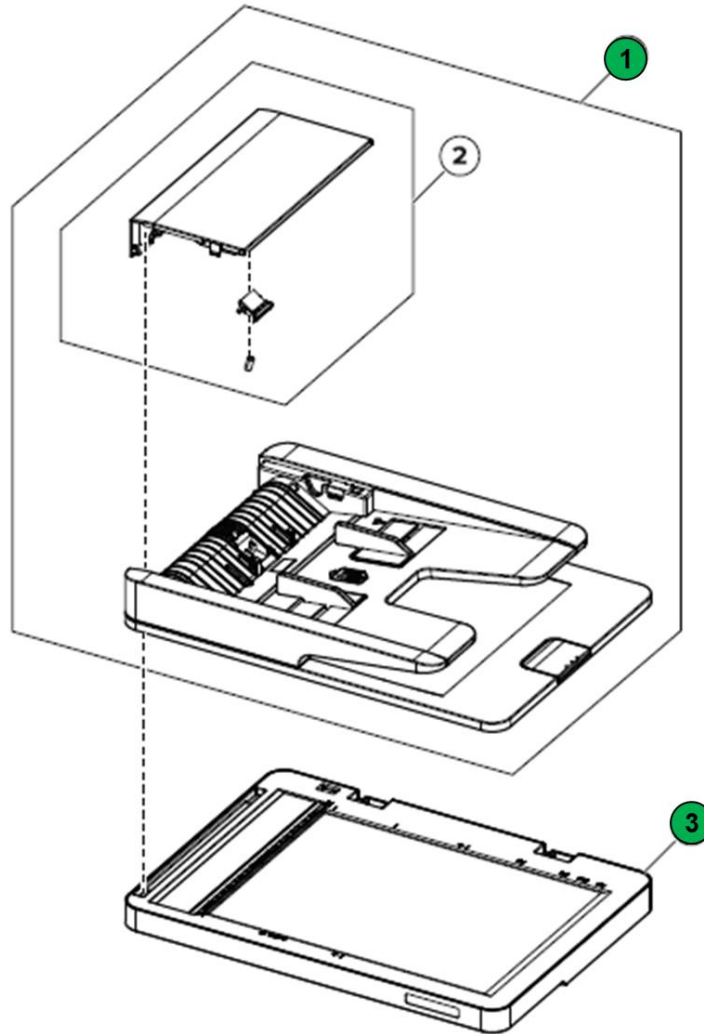


Index	Description
2	Motor board within the Main drive assembly

**B2236, MB2236 Series
Location**

Printed Circuit Boards >10cm² and Brominated Plastic Components

MB2236 Scanner



Index	Description
1	Fax card within ADF scanner assembly
3	CIS bar board within Flatbed scanner assembly

Annex A – Printer components with Brominated Flame Retardants

Index	Description	Parts Marking	B2236 Qty	MB2236 Qty	Location
1	Fuser Thermistor Cover	N/A	1	1	Electronics and Fuser
2	Fuser Top Cover	N/A	1	1	
3	Fuser Exit Drive shaft	N/A	1	1	
4	Fuser Entry Guide	N/A	1	1	
5	Fuser exit sensor cover	N/A	1	1	
6	Fuser bottom left drive gear cover	N/A	1	1	

Annex B – Printed Circuit Boards >10cm²

Index	Description	Quantity	Location	B2236	MB2236	MB2236i
1	Control panel board	1	Control panel	X	X	X
2	Printhead assembly	1	Electronics	X	X	X
3	Low voltage power supply	1		X	X	X
4	High voltage power supply	1		X	X	X
5	Controller board	1		X	X	X
6	Motor board	1		Main drive	X	X
7	Fax card	1	Scanner		X	
8	CIS bar board	1	Scanner		X	X