



Disassembly of Waste Electrical and Electronic Equipment (WEEE) Manual

EU Waste Electronic and Electrical Equipment Directive require producers to provide information of the different electronic and electrical materials and components found in their products at its end-of-life, and disassembly references to treatment and recycling facilities.

The disassembly information for this product has been prepared for use by a recognized treatment or recycling facility and is not intended to be used by others.

1. Product information
2. Materials and components list for selective treatment
3. Disassembly tools
4. Disassembly references

The following information is intended only for the use of treatment and recycling facilities.

1. Product information

Model name(s)—Indicate all model name(s) within the product family

Model name
Lexmark C3xxx series – Lexmark C3224dw, Lexmark C3326dw, Lexmark CS331dw
Lexmark CS4xx series – Lexmark CS431dw, Lexmark C3426dw
Lexmark MC3xxx series – Lexmark MC3224adwe, Lexmark MC3326adwe, Lexmark MC3426adw
Lexmark CX3xx series – Lexmark CX331adwe
Lexmark CX4xx, XC2326 series – Lexmark CX431adw, Lexmark XC2326
Lexmark MC3xx, CX3xx, CX4xx, CX2326 Non-fax series – Lexmark MC3326i, Lexmark MC3426i

* Add rows as needed

2. Materials and components list for selective treatment

Items	Quantity	Notes
Polychlorinated biphenyls (PCB) containing capacitors	0	N/A
Mercury containing components, such as switches or backlighting lamps	0	N/A
Batteries	1	Attached in Controller cards
Printed circuit boards greater than 10 cm ²	multiple	8 – C3224dw, C3326dw, CS331dw, CS431dw,C3426dw 9 – MC3326i, MC3426i 10 – MC3224adwe, MC3326adwe, CX331adwe For details, see Annex B
Toner cartridges, liquid and pasty, as well as colour toner	5	4 – Imaging unit 1 – Waste toner bottle
Plastic containing brominated flame retardants	multiple	16 – C3224dw, C3326dw, CS331dw, CS431dw,C3426dw 17 – MC3224, MC3326, MC3426, CX331, MC3326i, MC3426i For details, See Annex A
Asbestos waste and components which contain asbestos	0	N/A
Cathode ray tubes	0	N/A
Chlorofluorocarbons (CFC), Hydrochlorofluorocarbons (HCFC) or Hydrofluorocarbons (HFC), Hydrocarbons (HC)	0	N/A
Gas discharge lamps	0	N/A
Liquid Crystal Display (LCD) greater than 100 cm ² and those back-lighted with Gas discharge lamps	0	N/A
External electrical cables	1	Power cable located on the back lower left quadrant
Components containing refractory fibres	0	N/A
Components containing radioactive substances	0	N/A
Electrolyte capacitors containing substances of concern (<i>capacitors with height > 25 mm, diameter > 25 mm or proportionately similar volume</i>)	0	Capacitor located on Power Supply

3. Disassembly tools

Item
#2 Phillips screwdriver, magnetic
Wire cutter
E-clip puller or small flat-head screwdriver
Standard slotted head screwdriver

4. Disassembly references

4.1. Removal procedure(s)

WEEE materials and components removal procedures are available upon request.

Contact: recycling@lexmark.com

4.2. Graphical illustration of material's and component's location

1

LCD >100 cm² are identified with cyan-filled boxes

2

PCBs >10 cm² are identified with green-filled boxes

3

Printer components containing Brominated flame retardants are identified with orange-filled boxes

**C3xxx, CS4xx, MC3xxx, CX3xx and CX4xx Series
Location**

Supplies

C3224, C3326, CS331, CS431, C3426 Toner Cartridge



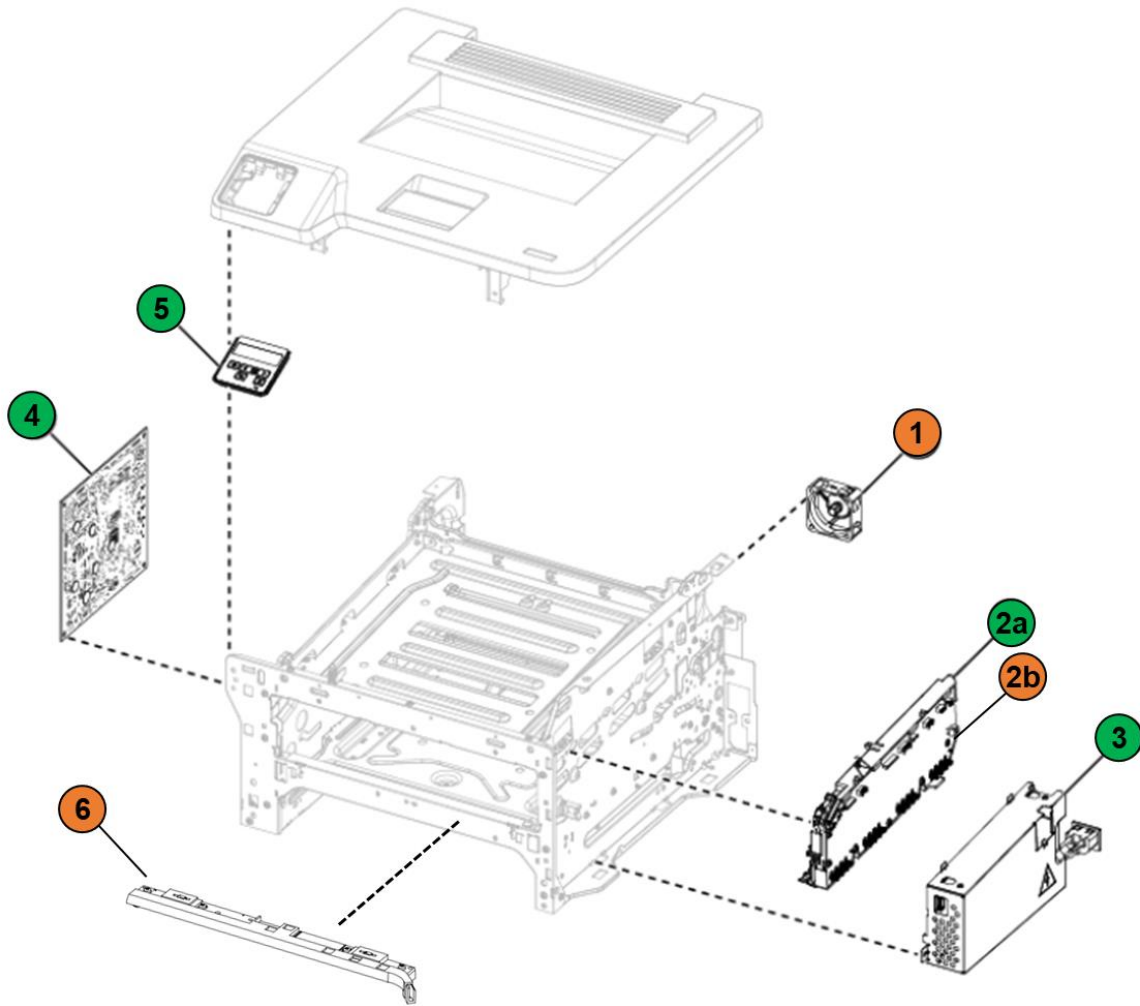
MC3224, MC3326, MC3426, CX331, CX431, XC2326, MC3326i, MC3426i Toner Cartridge



C3xxx, CS4xx, MC3xxx, CX3xx and CX4xx Series
Location

Printed Circuit Boards >10cm² and Brominated Plastic Components

C3224, C3326, CS331, CS431, C3426 Electronics

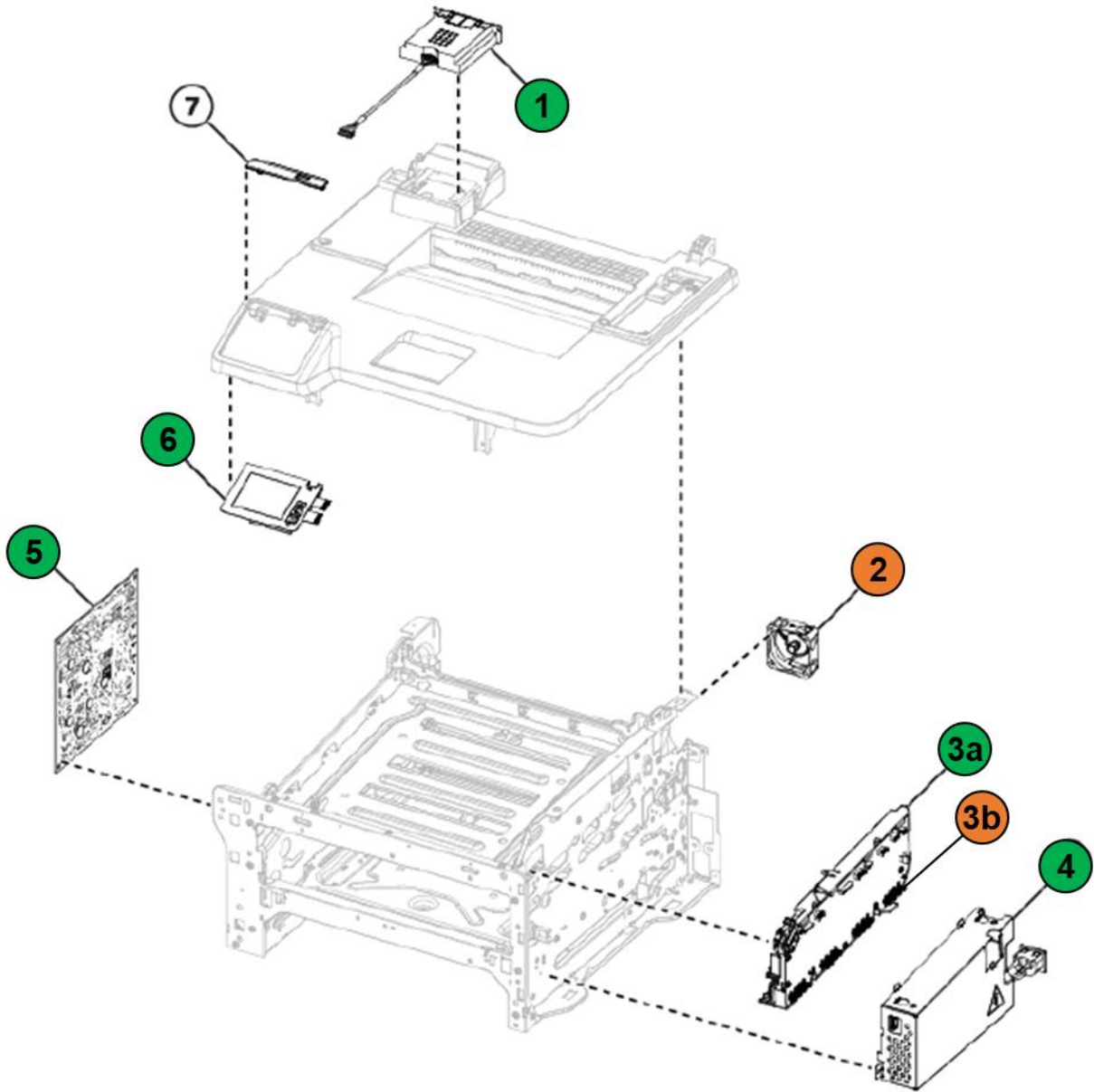


Index	Description
1	Exhaust fan
2a	High voltage power supply
2b	Front cover interlock switch within HVPS assembly
3	Low voltage power supply
4	Controller board
5	Control panel board
6	TPS sensor asm

C3xxx, CS4xx, MC3xxx, CX3xx and CX4xx Series
Location

Printed Circuit Boards >10cm² and Brominated Plastic Components

MC3224, MC3326, MC3426, CX331, CX431, XC2326, MC3326i, MC3426i Electronics

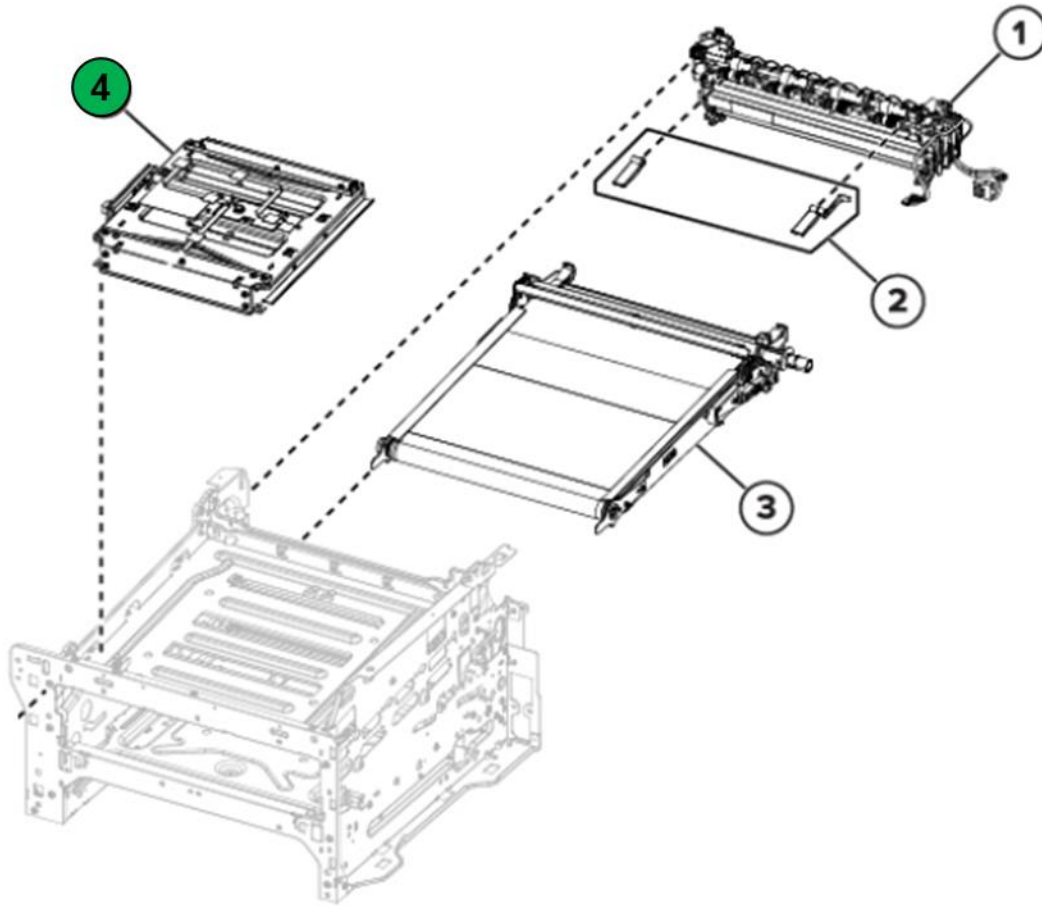


Index	Description
1	Fax card
2	Exhaust fan
3a	High voltage power supply
3b	Front cover interlock switch within HVPS assembly
4	Low voltage power supply
5	Controller board
6	Control panel board

C3xxx, CS4xx, MC3xxx, CX3xx and CX4xx Series
Location

Printed Circuit Boards >10cm² and Brominated Plastic Components

EP Components

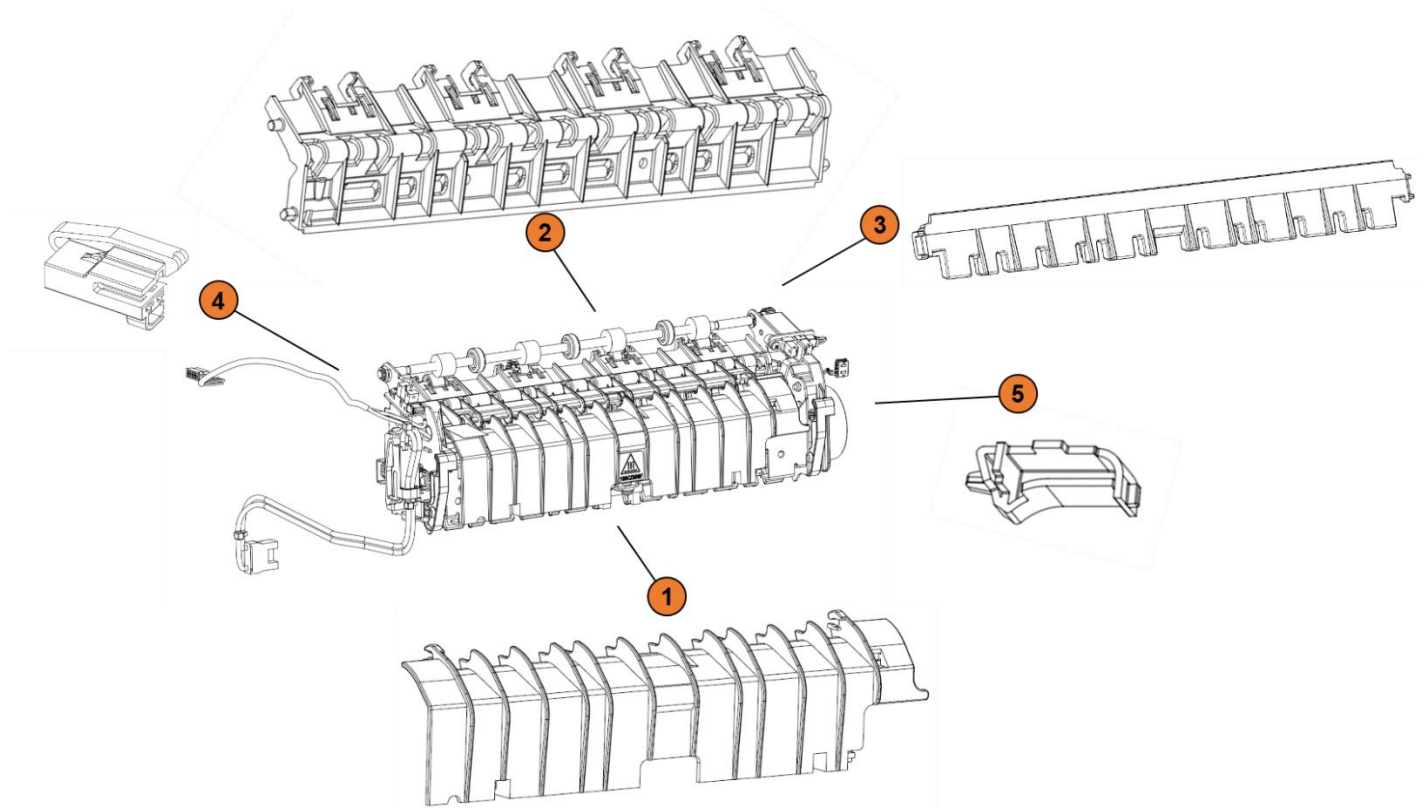


Index	Description
1	Fuser assembly with brominated parts (see next page)
4	Printhead card within Printhead assembly

**C3xxx, CS4xx, MC3xxx, CX3xx and CX4xx Series
Location**

Printed Circuit Boards >10cm2 and Brominated Plastic Components

Fuser components

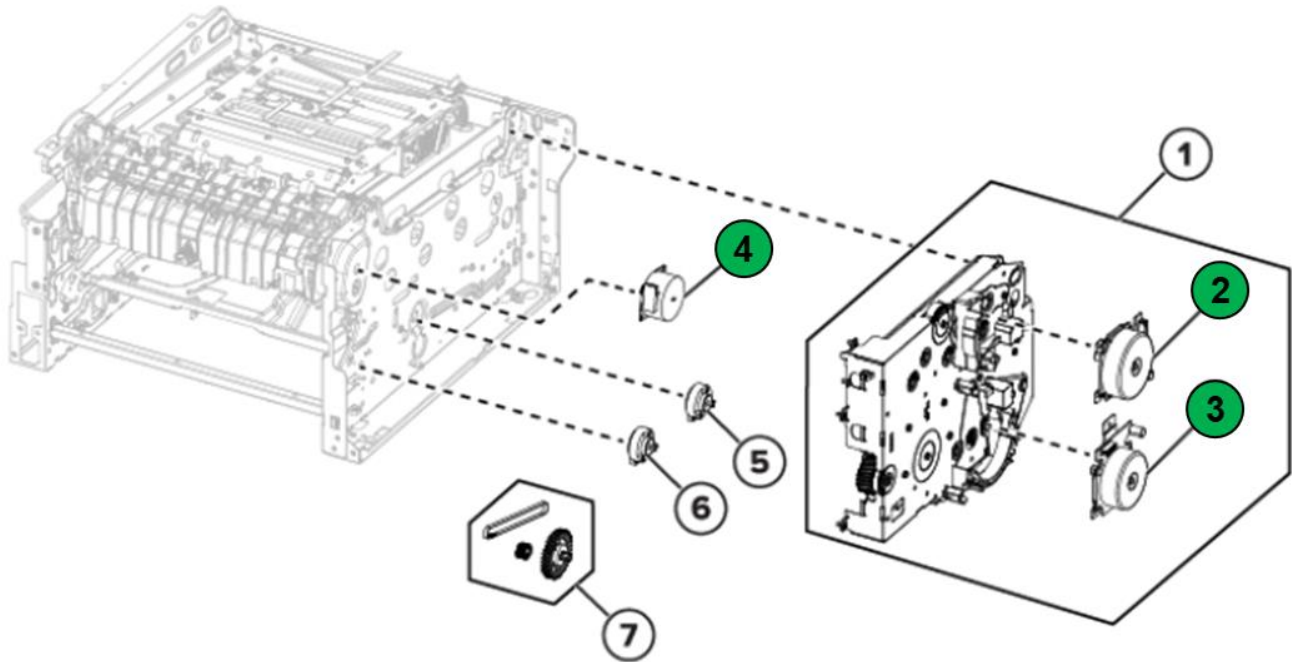


Index	Description
1	Guide-Exit BUR Side
2	Guide-Exit Belt Side
3	Guide-Entry
4	Housing-AC Connector
5	Shield Heater AC

C3xxx, CS4xx, MC3xxx, CX3xx and CX4xx Series
Location

Printed Circuit Boards >10cm² and Brominated Plastic Components

Main drive

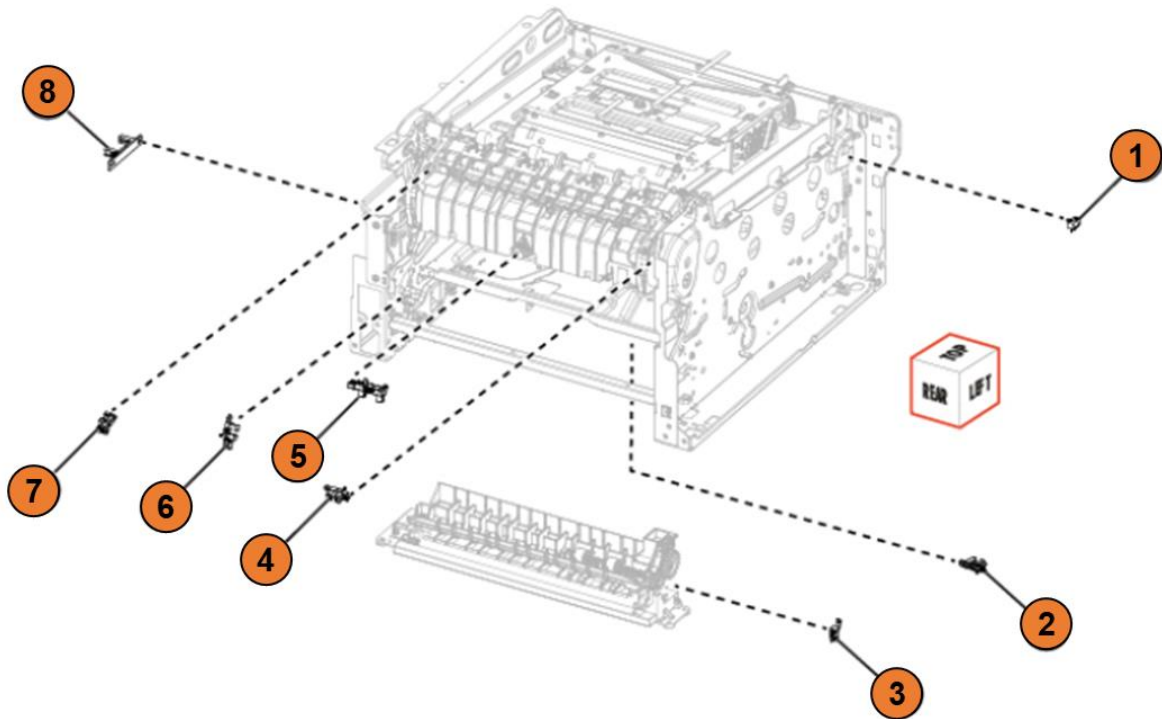


Index	Description
2,3	Motor board within the Main drive assembly
4	Fuser motor board within the assembly

C3xxx, CS4xx, MC3xxx, CX3xx and CX4xx Series
Location

Brominated Plastic Components

Sensors

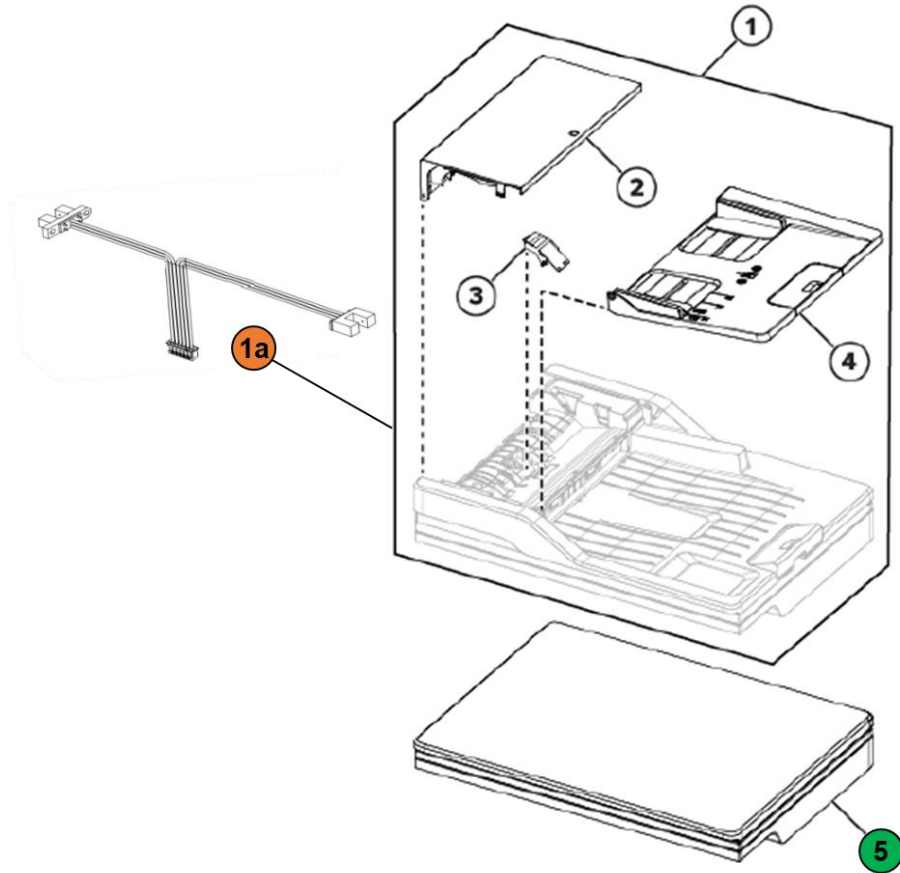


Index	Description
1	Printhead interlock switch
2	Sensor (manual feeder)
3	Tray interlock switch
4	Sensor (fuser exit)
5	Sensor (fuser buckle)
6	Sensor (input)
7	Sensor (bin/narrow media)
8	Sensor (waste toner bottle)

**C3xxx, CS4xx, MC3xxx, CX3xx and CX4xx Series
Location**

Printed Circuit Boards >10cm² and Brominated Plastic Components

MC3224, MC3326, MC3426, CX331, CX431, XC2326, MC3326i, MC3426i Scanner



Index	Description
1a	Scanner Photo Interrupt Sensor
5	CIS bar board within Flatbed scanner assembly

Annex A – Printer components with Brominated Flame Retardants

Index	Description	Parts Marking	C3224	MC3224	Location
			C3326	MC3326	
			CS331	CX331	
			CS431	CX431	
			C3426	XC2326	
			C3426dw	MC3326	
				MC3426i	
			Qty	Qty	
1	Guide-Exit BUR Side	PET-(GF+MD)45 FR(17)	1	1	Fuser
2	Guide-Exit Belt Side	PET-(GF+MD)45 FR(17)	1	1	Fuser
3	Guide-Entry	PET-(GF+MD)45 FR(17)	1	1	Fuser
4	Housing-AC Connector	PET-(GF+MD)45 FR(17)	1	1	Fuser
5	Shield Heater AC	PET-(GF+MD)45 FR(17)	1	1	Fuser
6	Staging	N/A	1	1	Sensors
7	Fuser Bubble	N/A	1	1	Sensors
8	Fuser Exit	N/A	1	1	Sensors
9	Bin Full	N/A	1	1	Sensors
10	Single sheet feeder	N/A	1	1	Sensors
11	TPS Sensor Asm	N/A	2	2	Electronics
12	WTB Sensor	N/A	1	1	Sensors
13	Tray present switch	N/A	1	1	Sensors
14	LSU safety interlock switch	N/A	1	1	Sensors
15	Cooling Fan	N/A	1	1	Electronics
16	Scanner Photo Interrupt Sensor	N/A	0	1	Scanner

**C3xxx, CS4xx, MC3xxx, CX3xx and CX4xx Series
Location**

Annex B – Printed Circuit Boards >10cm²

Index	Description	Quantity	Location	C3224 C3326 CS331 CS431 C3426	MC3224 MC3326 MC3426 CX331 CX431 XC2326	MC3326i MC3426i
				Qty	Qty	Qty
1	Op Panel-2-Line	1	Electronics	X		
	Op Panel-E-Task	1	Electronics		X	X
2	Scanner CIS Bar	1	Flatbed of Scanner		X	X
3	Printhead card	1	EP Components	X	X	X
4	Controller board	1	Electronics	X	X	X
5	LVPS	1	Electronics	X	X	X
6	HVPS	1	Electronics	X	X	X
7	BLDC Drive Motors	2	Main Drive	X	X	X
8	Fuser Motor	1	EP Components	X	X	X
9	Fax card	1	Electronics		X	