

Disassembly of Waste Electrical and Electronic Equipment (WEEE) Manual

EU Waste Electronic and Electrical Equipment Directive require producers to provide information of the different electronic and electrical materials and components found in their products at its end-of-life, and disassembly references to treatment and recycling facilities.

The disassembly information for this product has been prepared for use by a recognized treatment or recycling facility and is not intended to be used by others.

1. Product information
2. Materials and components list for selective treatment
3. Disassembly tools
4. Disassembly references

The following information is intended only for the use of treatment and recycling facilities.

1. Product information

Model name(s)—Indicate all model name(s) within the product family

Model name
Lexmark MS331 series – Lexmark MS331dn
Lexmark B3340 series – Lexmark B3340dw
Lexmark MS431 series – Lexmark MS431dn, Lexmark MS431dw, Lexmark B3442dw, Lexmark M1342
Lexmark MX331 series – Lexmark MX331adn
Lexmark MX431 series – Lexmark MX431adn, Lexmark MX341adw, Lexmark MB3442adw, Lexmark XM1342, Lexmark MB3442i

* Add rows as needed

2. Materials and components list for selective treatment

Items	Quantity	Notes
Polychlorinated biphenyls (PCB) containing capacitors	0	N/A
Mercury containing components, such as switches or backlighting lamps	0	N/A
Batteries	1	Attached in Controller card
Printed circuit boards greater than 10 cm ²	2	6 – Lexmark MS331, Lexmark B3340, Lexmark MS431 series 9 - Lexmark MX331, Lexmark MX431 series 8 - Lexmark MB3442i 1 – 550-Sheet option tray For details, see Annex B
Toner cartridges, liquid and pasty, as well as colour toner	2	Toner cartridge and Imaging unit
Plastic containing brominated flame retardants	6	For details, See Annex A
Asbestos waste and components which contain asbestos	0	N/A
Cathode ray tubes	0	N/A
Chlorofluorocarbons (CFC), Hydrochlorofluorocarbons (HCFC) or Hydrofluorocarbons (HFC), Hydrocarbons (HC)	0	N/A
Gas discharge lamps	0	N/A
Liquid Crystal Display (LCD) greater than 100 cm ² and those back-lighted with Gas discharge lamps	0	N/A
External electrical cables	1	Power cable located on the back lower left quadrant
Components containing refractory fibres	0	N/A
Components containing radioactive substances	0	N/A
Electrolyte capacitors containing substances of concern (<i>capacitors with height > 25 mm, diameter > 25 mm or proportionately similar volume</i>)	1	Capacitor located on Power Supply

3. Disassembly tools

Item
#2 Phillips screwdriver, magnetic
Wire cutter
E-clip puller or small flat-head screwdriver
Standard slotted head screwdriver

4. Disassembly references

4.1. Removal procedure(s)

WEEE materials and components removal procedures are available upon request.

Contact: recycling@lexmark.com

4.2. Graphical illustration of material's and component's location

1

LCD >100 cm² are identified with cyan-filled boxes

2

PCBs >10 cm² are identified with green-filled boxes

3

Printer components containing Brominated flame retardants are identified with orange-filled boxes

**MS/MX 33x, 43x and B/MB 33xx,34xx Series
Location**

Imaging Unit (Photo conductor and Toner cartridge)



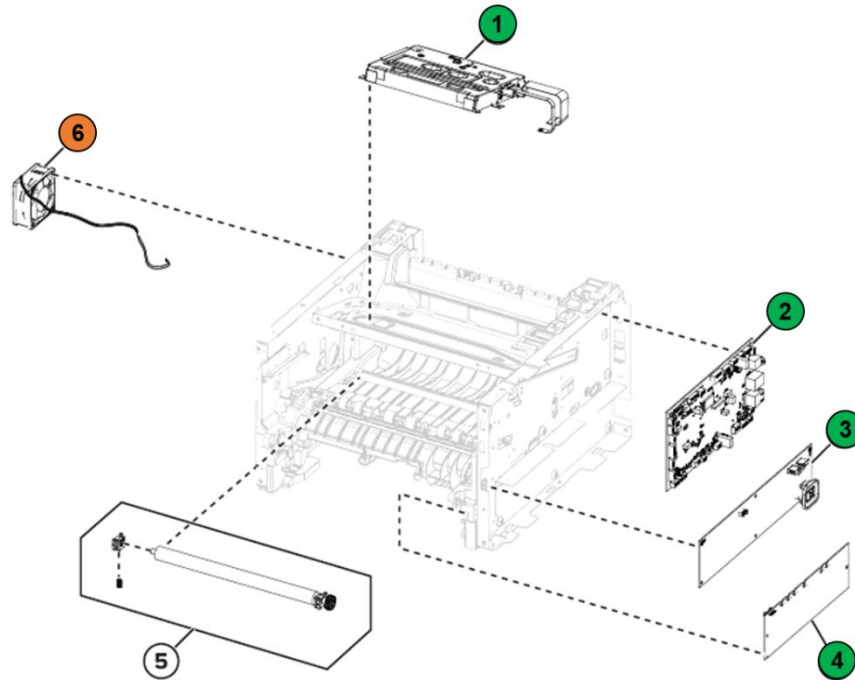
Toner Cartridge



MS/MX 33x, 43x and B/MB 33xx,34xx Series
Location

Printed Circuit Boards >10cm² and Brominated Plastic Components

Electronics

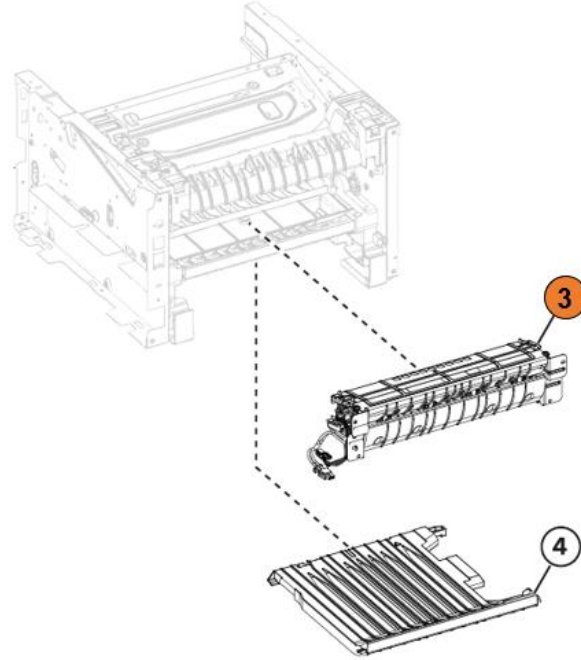


Index	Description
1	Printhead cards (Laser diode & Motor board) within Printhead assembly
2	Controller card
3	LVPS
4	HVPS
6	Main fan

**MS/MX 33x, 43x and B/MB 33xx,34xx Series
Location**

Printed Circuit Boards >10cm2 and Brominated Plastic Components

Fuser

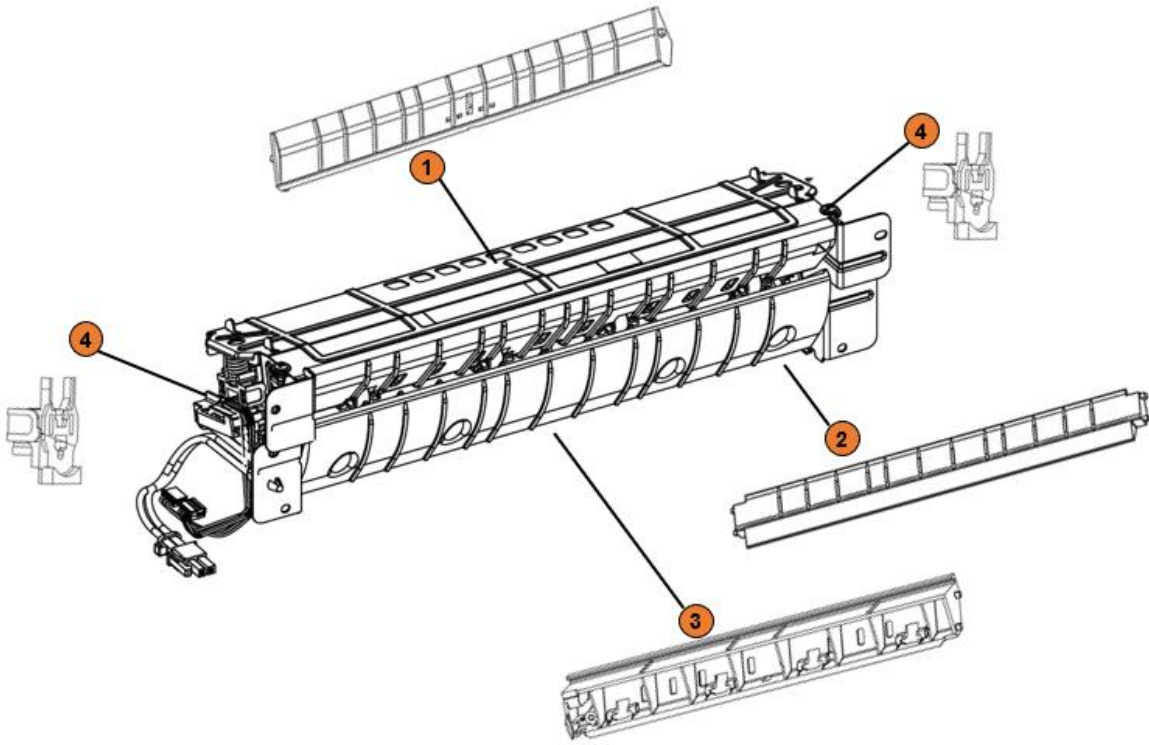


Index	Description
3	Brominated parts within Fuser assembly (see next page)

MS/MX 33x, 43x and B/MB 33xx,34xx Series
Location

Printed Circuit Boards >10cm2 and Brominated Plastic Components

Fuser components

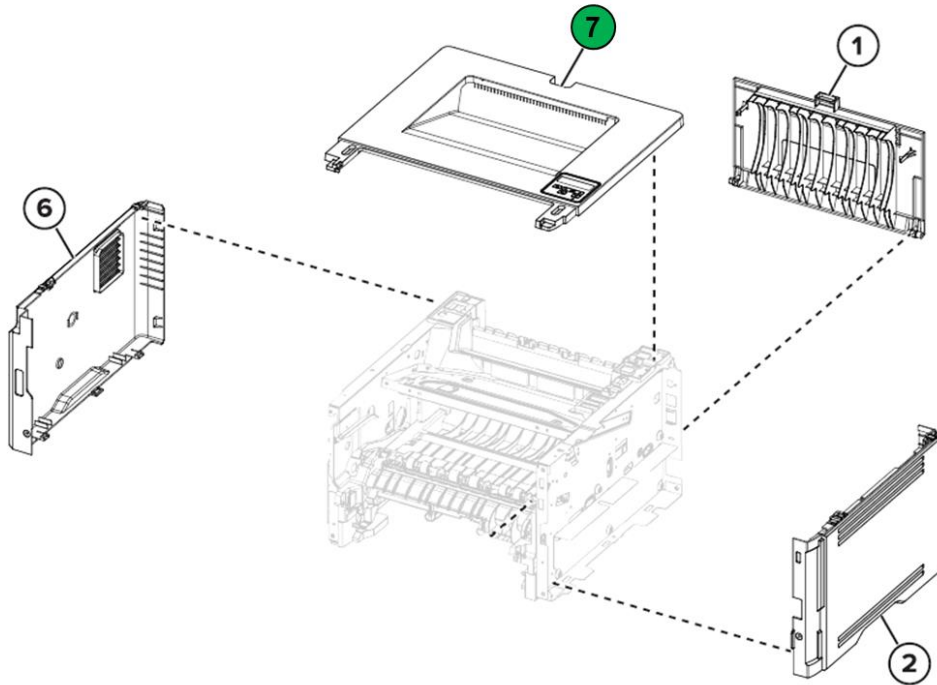


Index	Description
1	Guide - Lower Exit
2	Guide - Lower Entry
3	Guide - Upper Exit
4	Aligner - Heater

**MS/MX 33x, 43x and B/MB 33xx,34xx Series
Location**

Printed Circuit Boards >10cm² and Brominated Plastic Components

Lexmark MS331, Lexmark B3340, Lexmark MS431 series Control Panel

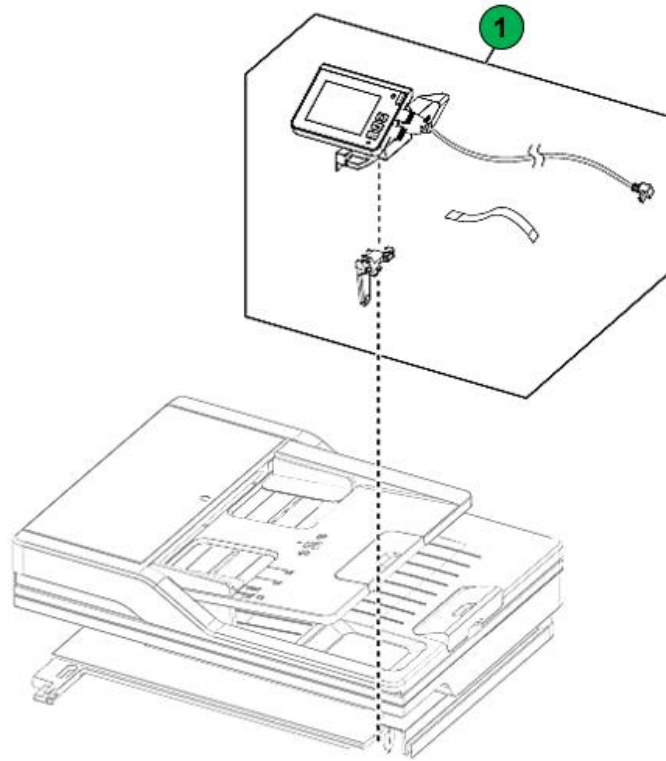


Index	Description
7	Control panel board within Control panel assembly

**MS/MX 33x, 43x and B/MB 33xx,34xx Series
Location**

Printed Circuit Boards >10cm² and Brominated Plastic Components

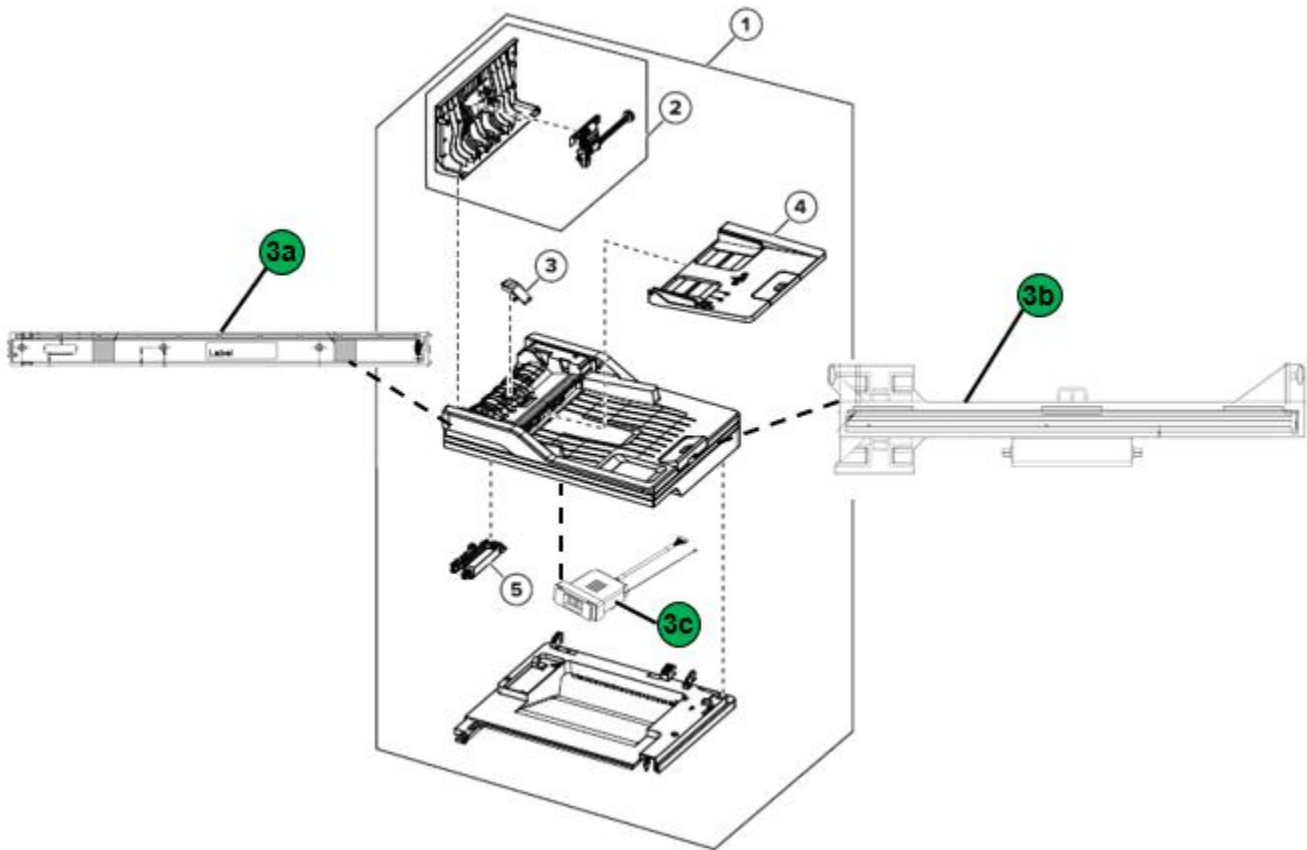
Lexmark MS331, Lexmark B3340, Lexmark MS431 series Control panel



Index	Description
1	Control panel board in Control panel assembly

MS/MX 33x, 43x and B/MB 33xx,34xx Series
Location

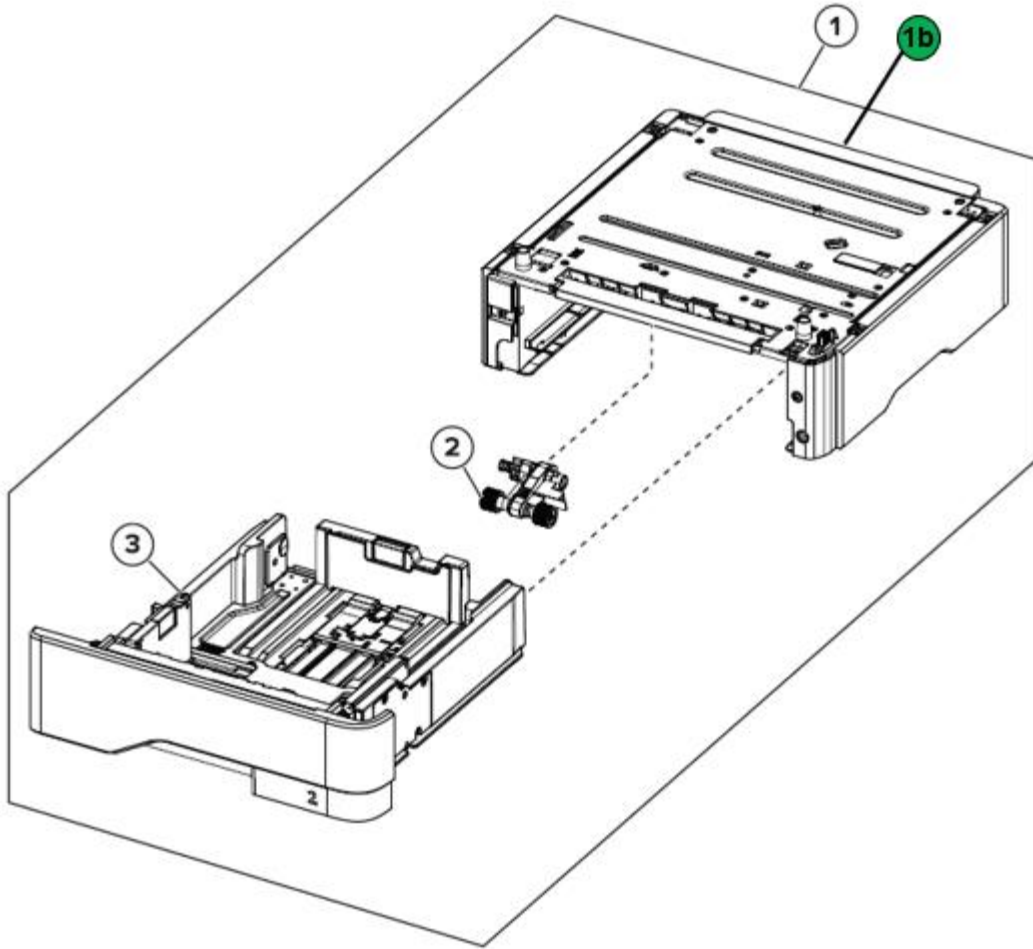
ADF and Scanner (MX331 and MX431 series only)



Index	Description
3a	CIS Image sensor ADF within ADF Scanner
3b	CIS Image sensor Flatbed within Flatbed scanner assembly
3c	Fax card

**MS/MX 33x, 43x and B/MB 33xx,34xx Series
Location**

550-sheet Option Tray



Index	Description
1b	550-sheet tray board within the tray assembly

Annex A – Printer components with Brominated Flame Retardants

Index	Description	Parts Marking	MS331, B3340, MS431 series Qty	MX331, MX431 series Qty	Location
1	Main fan	N/A	1	1	Electronics
2	Guide - Lower Exit	PET-(GF+MD)40 FR(17)	1	1	Fuser
3	Guide - Lower Entry	PET-(GF+MD)40 FR(17)	1	1	
4	Guide - Upper Exit	PET-(GF+MD)40 FR(17)	1	1	
5	Aligner - Heater	NA	2	2	

**MS/MX 33x, 43x and B/MB 33xx,34xx Series
Location**

Annex B – Printed Circuit Boards >10cm²

Index	Description	Quantity	Location	MS331, B3340, MS431 series	MX331, MX431 series	MB3442i
				Qty	Qty	Qty
1	Printhead cards (Laser diode & Motor board)	2	Electronics	X	X	X
2	Controller card	1		X	X	X
3	LVPS	1		X	X	X
4	HVPS	1		X	X	X
5	Control panel board	1	Control panel 1	X		
		1	Control panel 2		X	X
6	CIS Image sensor ADF	1	ADF and Scanner		X	X
7	CIS Image sensor Flatbed	1			X	X
8	Fax card	1			X	
9	Option Tray board	1	550-sheet Option Tray	X	X	X