



Disassembly of Waste Electrical and Electronic Equipment (WEEE) Manual

EU Waste Electronic and Electrical Equipment Directive require producers to provide information of the different electronic and electrical materials and components found in their products at its end-of-life, and disassembly references to treatment and recycling facilities.

The disassembly information for this product has been prepared for use by a recognized treatment or recycling facility and is not intended to be used by others.

1. Product information
2. Materials and components list for selective treatment
3. Disassembly tools
4. Disassembly references

The following information is intended only for the use of treatment and recycling facilities.

All disassembly instructions should be performed with the power switch in the OFF position. Disconnect the power cord from the wall outlet and from the printer before continuing. If there are any other devices attached to the printer, then turn them off as well, and unplug any cables going into the printer.

1. Product information

Model name(s)—Indicate all model name(s) within the product family (1 model name/row)

Model name
Lexmark MX31x series – Lexmark MX310dn, Lexmark MX317dn
Lexmark MX41x series – Lexmark MX410de, Lexmark MX417de
Lexmark MX51x series – Lexmark MX510de, Lexmark MX511de (Lexmark XM1145), Lexmark MX511dte, Lexmark 511dhe, Lexmark MX517de
Lexmark MX61x series – Lexmark MX610de, Lexmark MX611de (Lexmark XM3150), Lexmark MX611dte, Lexmark MX611dhe, Lexmark MX617de

* Add rows as needed

2. Materials and components list for selective treatment

Items	Quantity	Notes
Polychlorinated biphenyls (PCB) containing capacitors	0	N/A
Mercury containing components, such as switches or backlighting lamps	0	N/A
Batteries	1	Lithium Manganese Dioxide coin cell located on the Controller card

Printed circuit boards greater than 10 cm ²	-	5 for Printer MX310/410/510 series 6 for MX610 series See Annex B, Page 12 1 for each Options: 250-sheet & 55-sheet Tray insert, Hard disk
Toner cartridges, liquid and pasty, as well as colour toner	1	Located inside front cover
Plastic containing brominated flame retardants	18	1 Fan, See Page 7 (Index 4) 14 Sensors, See Page 10 3 Brominated plastic parts marked with recycle codes "FR17" or "FR16", See Annex A, Page 11
Asbestos waste and components which contain asbestos	0	N/A
Cathode ray tubes	0	N/A
Chlorofluorocarbons (CFC), Hydrochlorofluorocarbons (HCFC) or Hydrofluorocarbons (HFC), Hydrocarbons (HC)	0	N/A
Gas discharge lamps	0	N/A
Liquid Crystal Display (LCD) greater than 100 cm ² and those back-lighted with Gas discharge lamps	1	MX610 7in Control Panel, See Page 6
External electrical cables	1	Power cord located on the back lower left quadrant
Components containing refractory fibres	0	N/A
Components containing radioactive substances	0	N/A
Electrolyte capacitors containing substances of concern ¹	1	Capacitor located on Power Supply, See Page 8
¹ With (height > 25 mm, diameter > 25 mm or proportionately similar volume)		

3. Disassembly tools

Item Description
#2 Phillips screwdriver, magnetic
Wire cutter
E-clip puller or small flat-head screwdriver
Standard slotted head screwdriver

4. Disassembly references

4.1. Removal procedure(s)

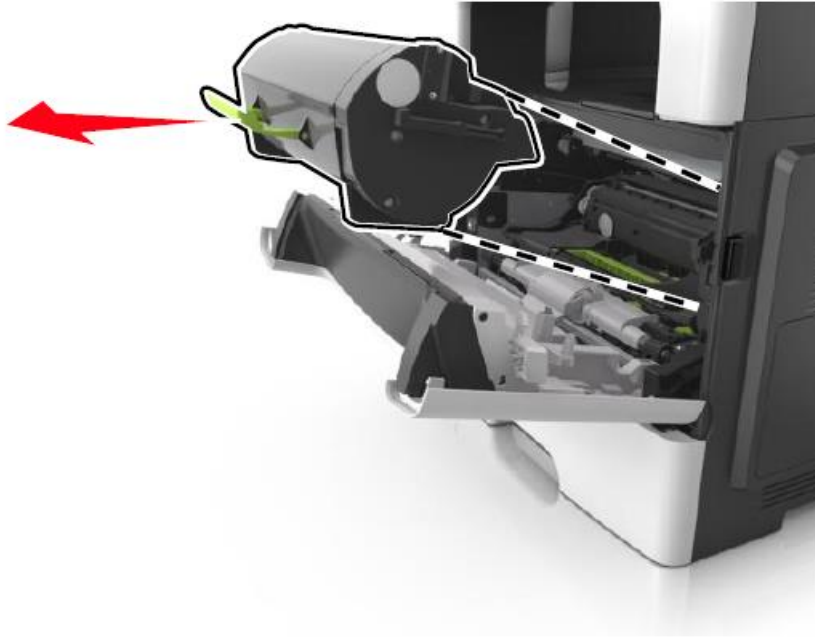


MX310, MX410, MX510, MX510 Series WEEE removal
WEEE materials and components removal procedures are available upon request.
Contact: recycling@lexmark.com

4.2. Graphical illustration of material's and component's location

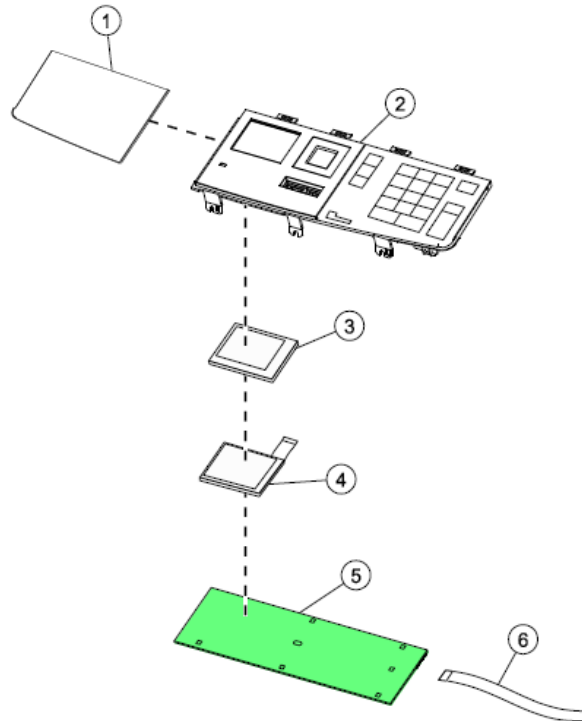
**MX310, MX410, MX510, MX610 Series
Location**

Toner Cartridge



MX310, MX410, MX510, MX610 Series Location

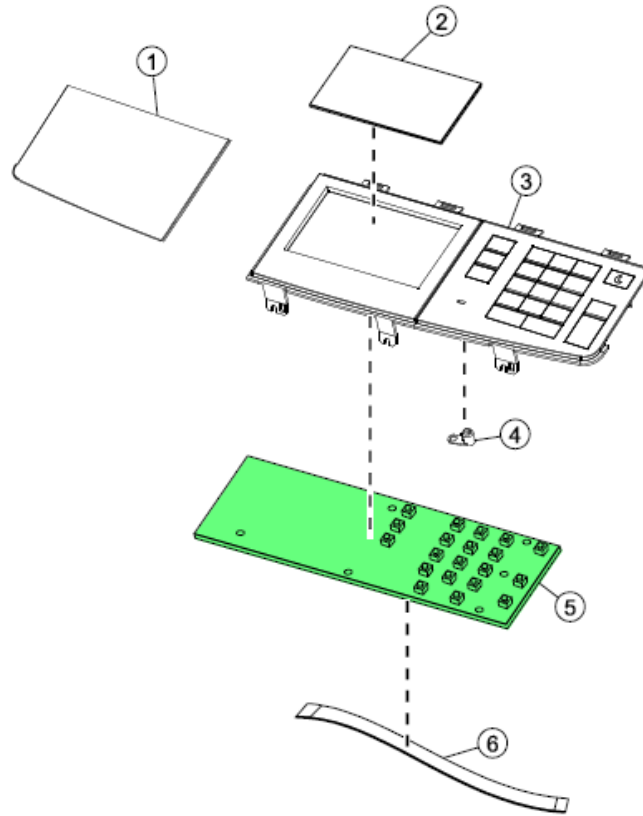
Control panel (MX310)



Index	Description
1	Control panel cover
2	Control panel keypad assembly
3	Control panel lens
4	2.4" LCD
5	UICC
6	UICC cable

MX310, MX410, MX510, MX610 Series Location

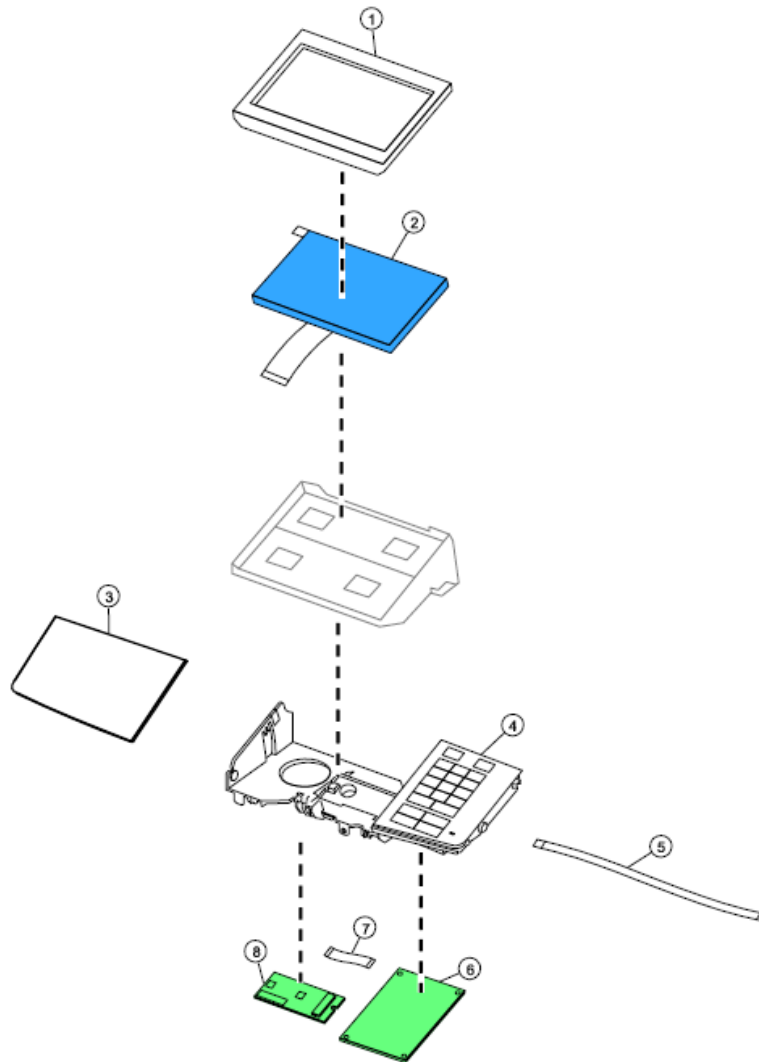
Control panel (MX410, MX510)



Index	Description
1	Control panel cover
2	4.3" LCD (touch-screen)
3	Control panel keypad assembly
4	Light tube
5	UICC
6	UICC cable

MX310, MX410, MX510, MX610 Series Location

Control panel (MX610)

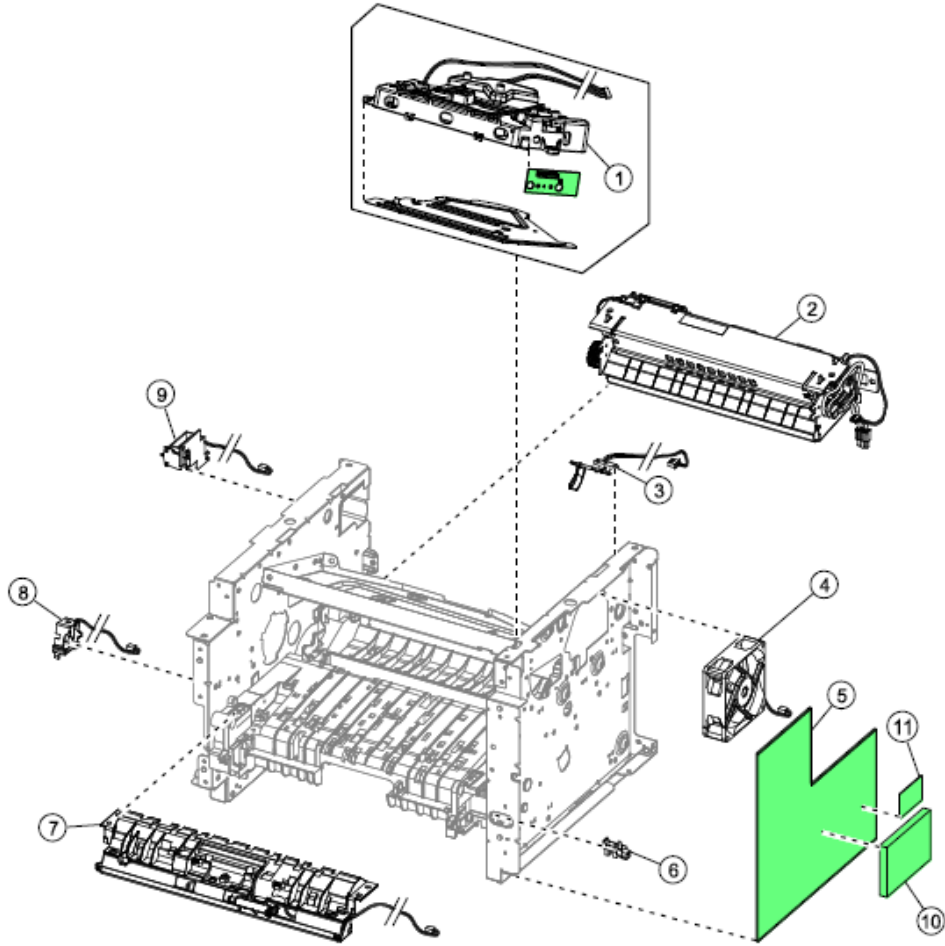


Index	Description
1	LCD top cover
2	Display
3	Control panel cover
4	Keypad assembly cover

5	UICC cable
6	UICC
7	UICC video cable
8	Interface card

MX310, MX410, MX510, MX610 Series Location

Electronics 1

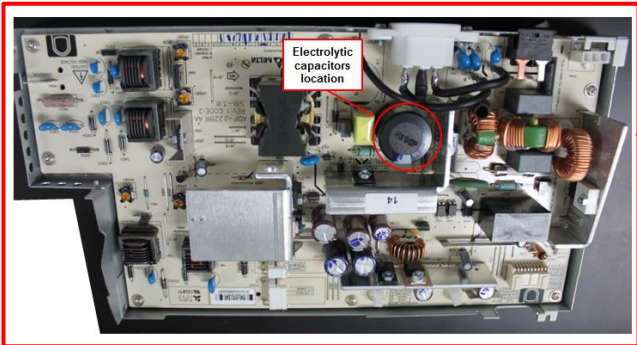
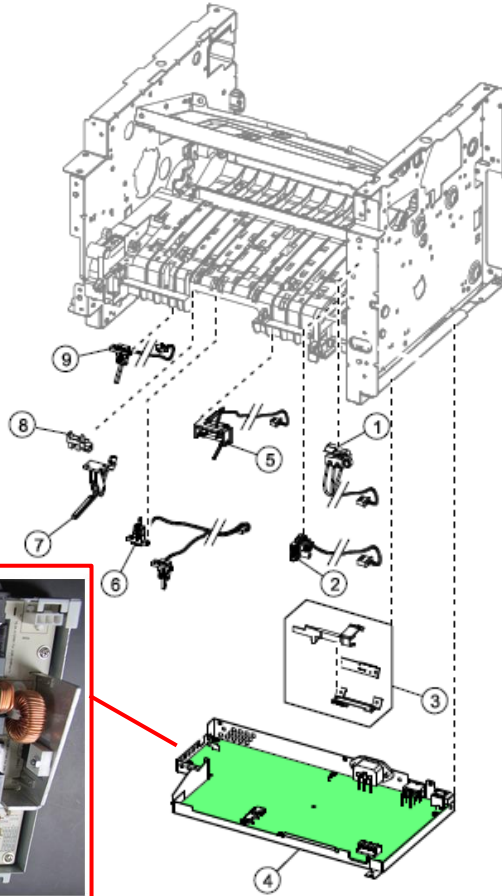


Index	Description
1	Laser scanning unit
2	Fuser, 100 V
2	Fuser, 110 V
2	Fuser, 220 V
3	Narrow media/exit sensor (MX310, MX410, MX510)
4	Cooling fan

5	Controller board
6	Tray present sensor
7	Front input guide
8	MPF solenoid
9	Reverse solenoid
10	Hard disk
11	Modem

MX310, MX410, MX510, MX610 Series Location

Electronics 2

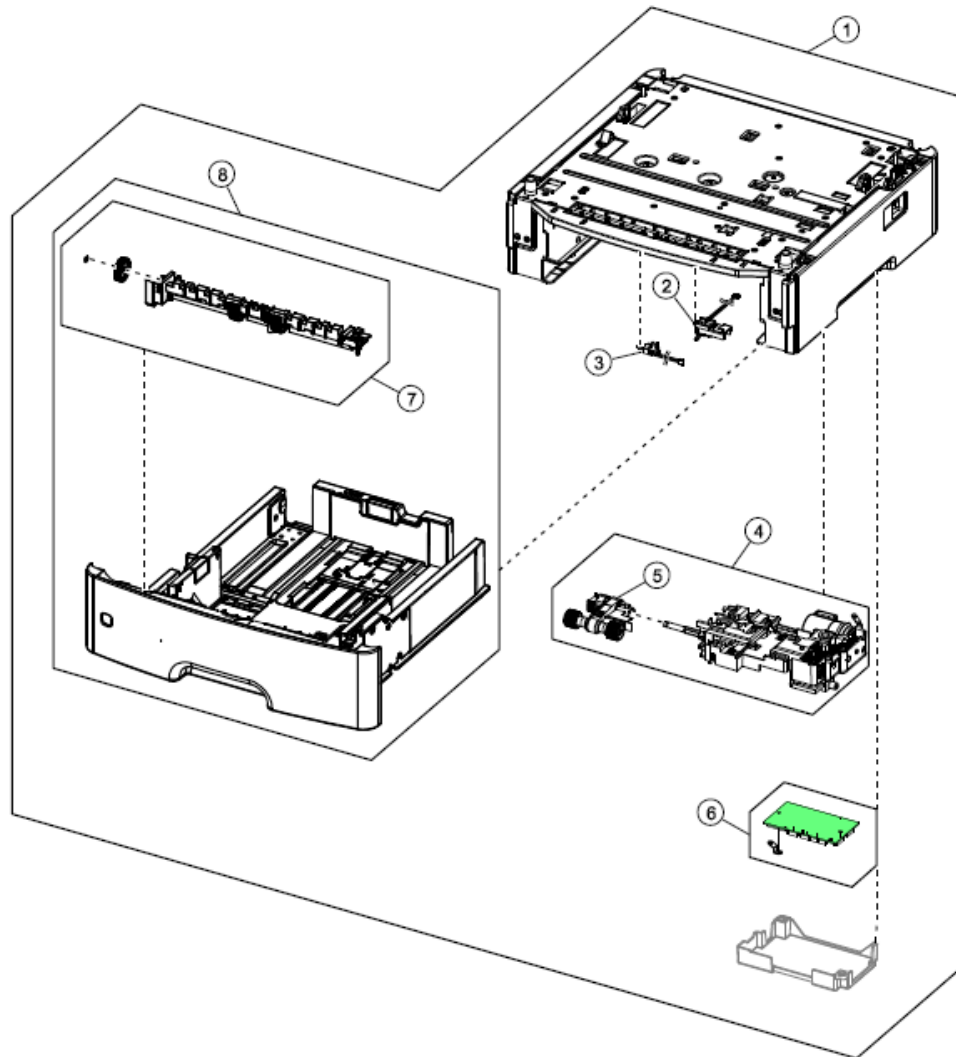


Electrolytic capacitors location

Index	Description
1	Front door sensor
2	Cartridge smart chip contact
3	Toner density sensor
4	Power supply, 100 V/110 V
4	Power supply, 220 V
5	Trailing edge sensor
6	Duplex sensor and input sensor
7	Media present sensor flag
8	Media present sensor
9	Index sensor

**MX310, MX410, MX510, MX610 Series
Location**

Option tray

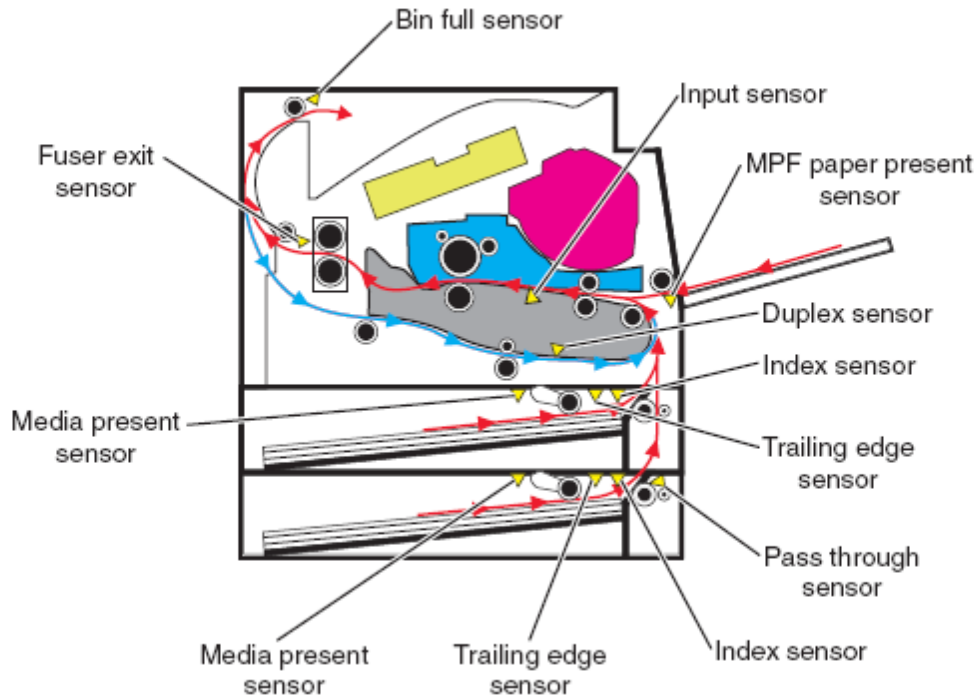


Index	Description
1	250-sheet tray
1	550-sheet tray
2	Media present sensor
3	Pass through sensor
4	ACM assembly

5	Pick roller assembly
6	Controller card
7	Separator roll assembly
8	250-sheet tray insert
8	550-sheet tray insert

MX310, MX410, MX510, MX610 Series Location

Sensors



Picture does not show all sensors used by the product

Appendix A
Plastic containing brominated flame retardants

Part Description	Parts Marking	Location
ALIGNER – FUSR HEATER ASM	PET-(GF+MD)40 FR(17)	FUSER AREA
GUIDE (MECHANICAL) – GUIDE-LOWER INPUT	PET-(GF+MD)40 FR(17)	FUSER AREA
GUIDE (MECHANICAL) – FUSER LOWR EXIT	PET-(GF+MD)40 FR(17)	FUSER AREA

Appendix B
Printed Circuit Boards per Model

Index	Description	Location	MX310	MX410	MX510	MX610
1	UICC MX310	Control Panel	X			
	UICC MX410 & MX510	Control Panel		X	X	
	UICC MX610	Control Panel				X
2	Interface card	Control Panel				X
3	Laser scanning unit	Electronics 1	X	X	X	X
4	Controller board	Electronics 1	X	X	X	X
5	Modem (Fax)	Electronics 1	X	X	X	X
6	Power supply 100/110/220V	Electronics 2	X	X	X	X