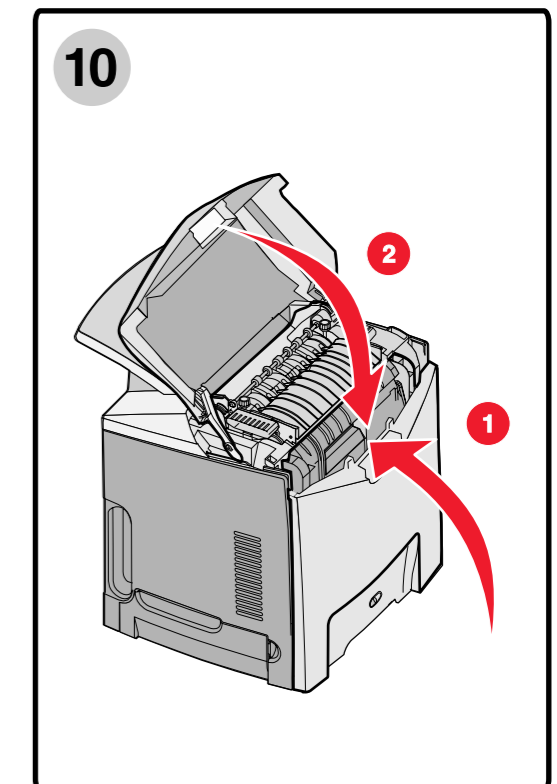
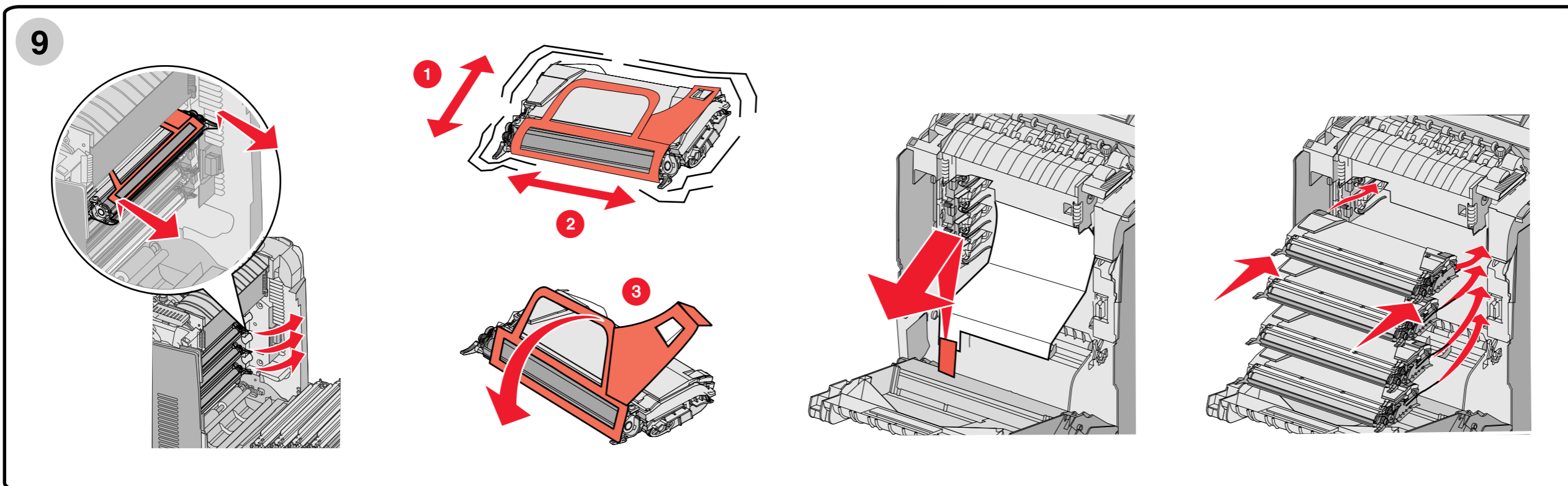
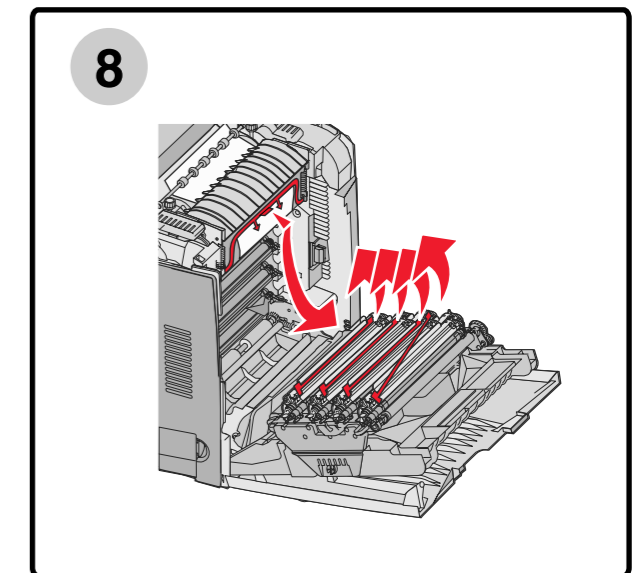
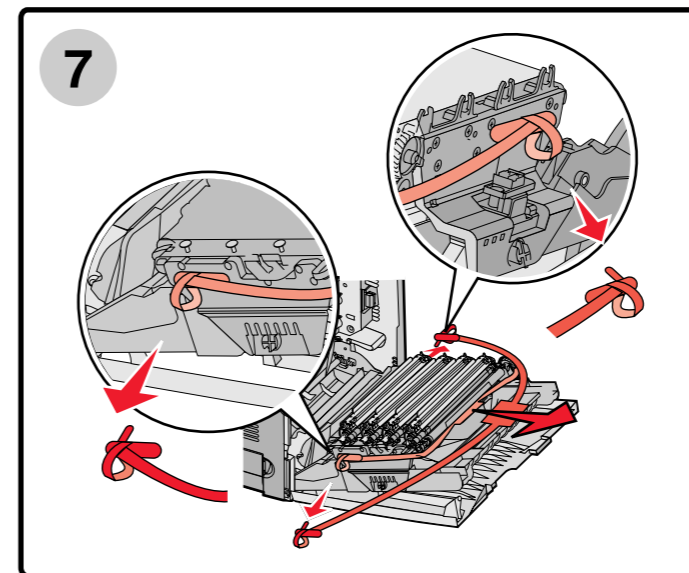
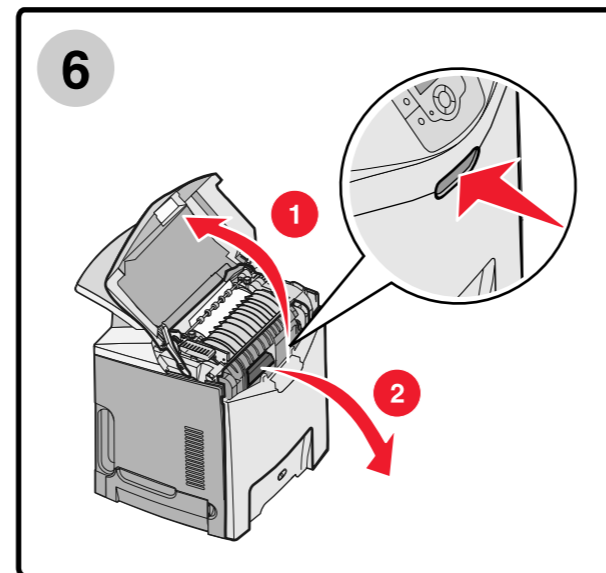
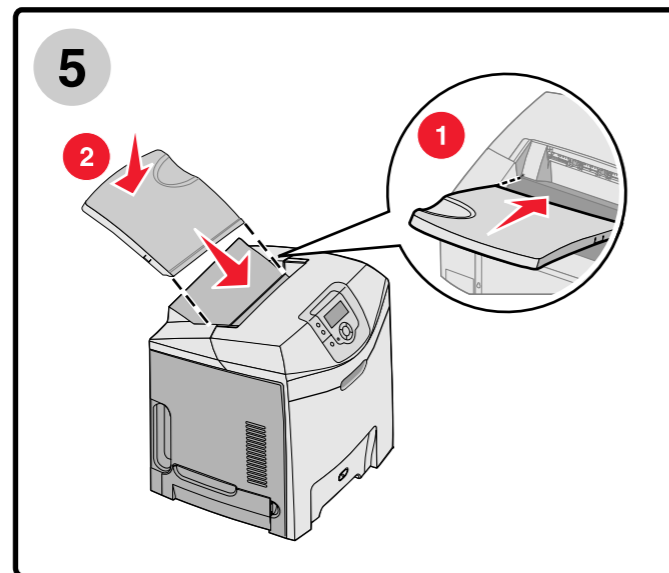
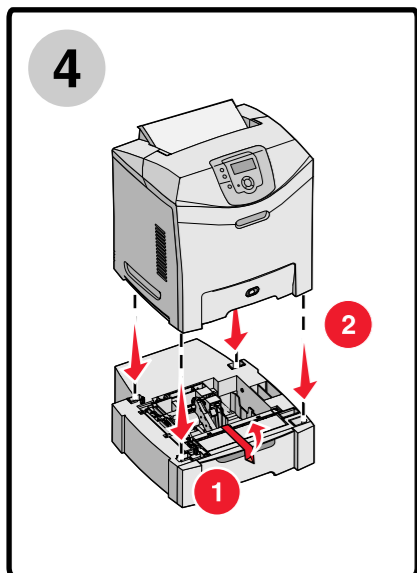
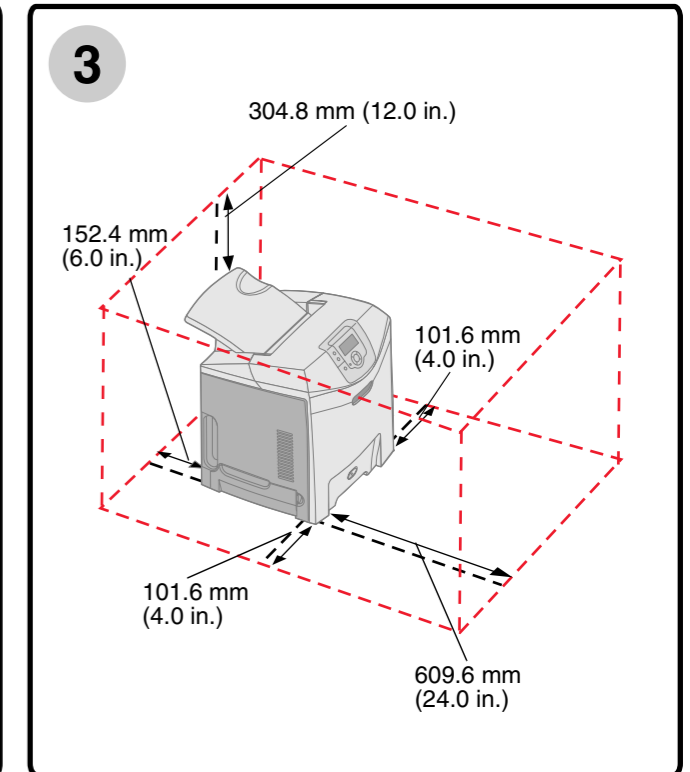
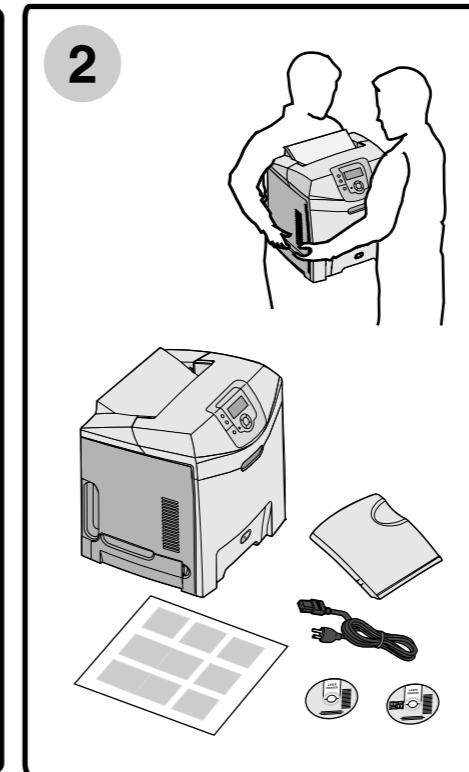
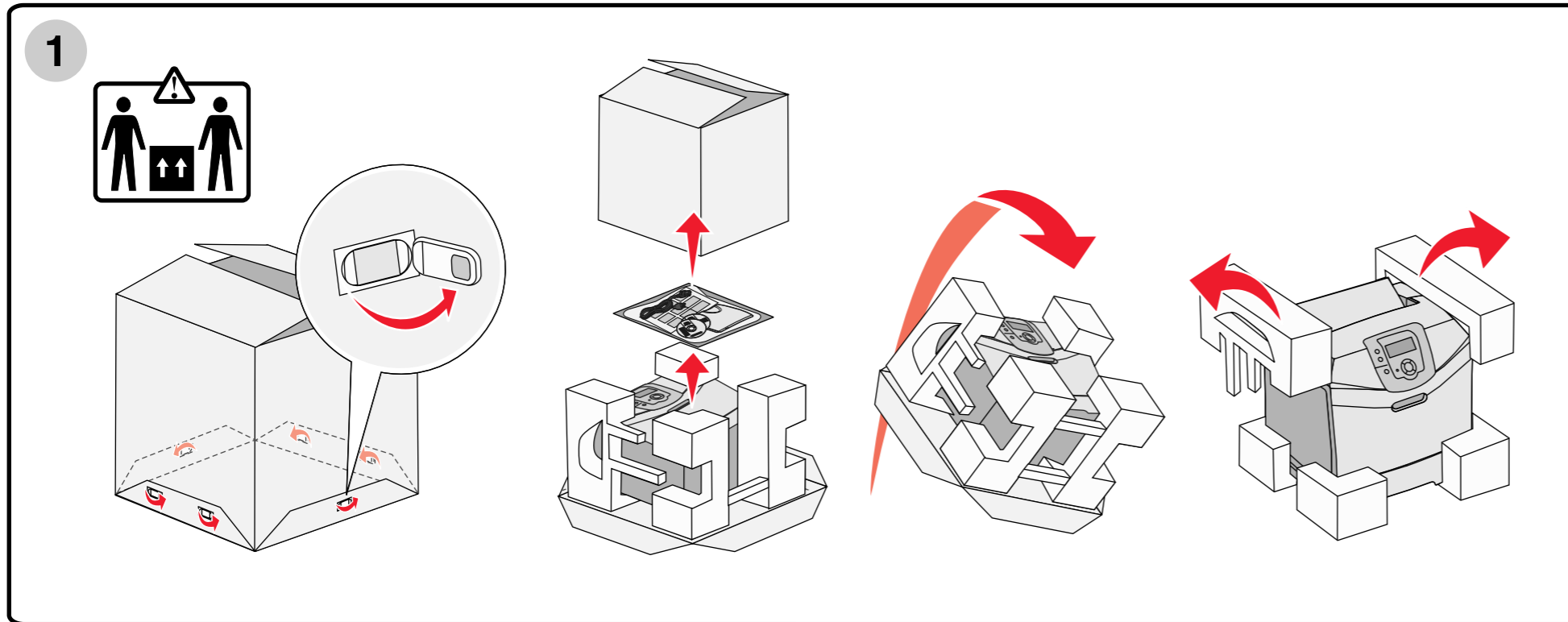
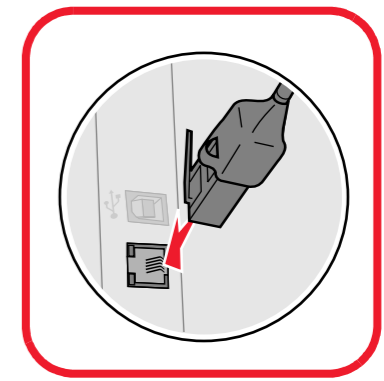


Network setup
 Installation réseau
 Netzwerkinstallation
 Instalación en red
 Installazione di rete

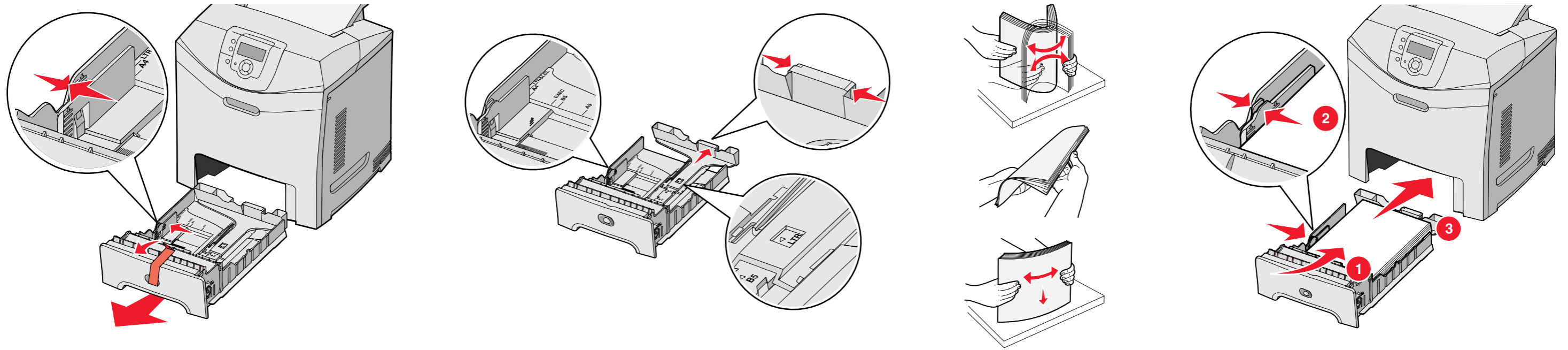
Instalação em rede
 Nätverksinstallation
 Netværksinstallation
 Netwerkinstallatie
 Verkkoasennus

Nettverksinstallasjon
 Instalacja sieciowa
 Сетевая установка

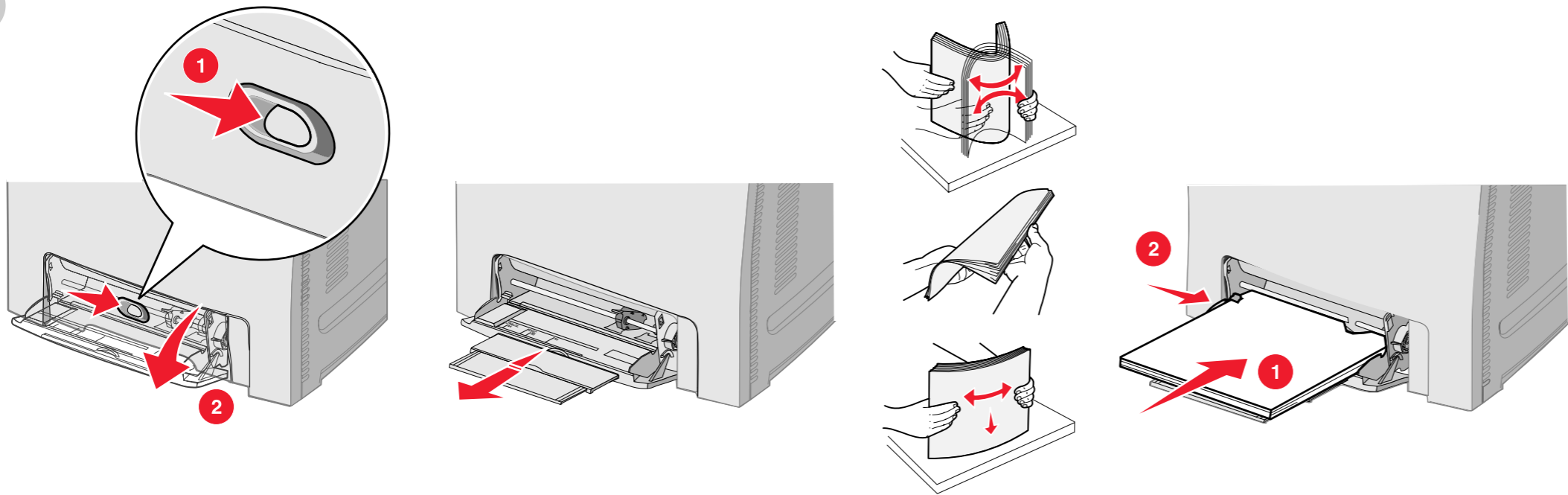
网络设置
 網路設定
 네트워크 설치



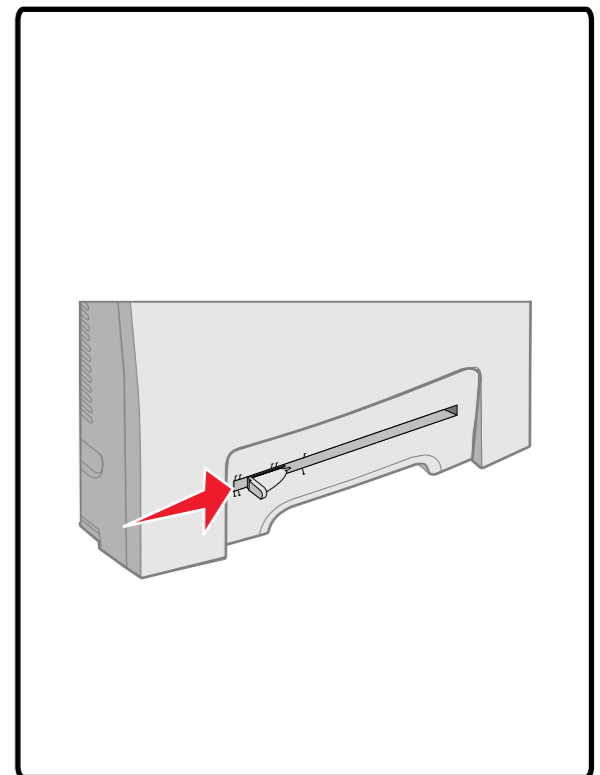
11



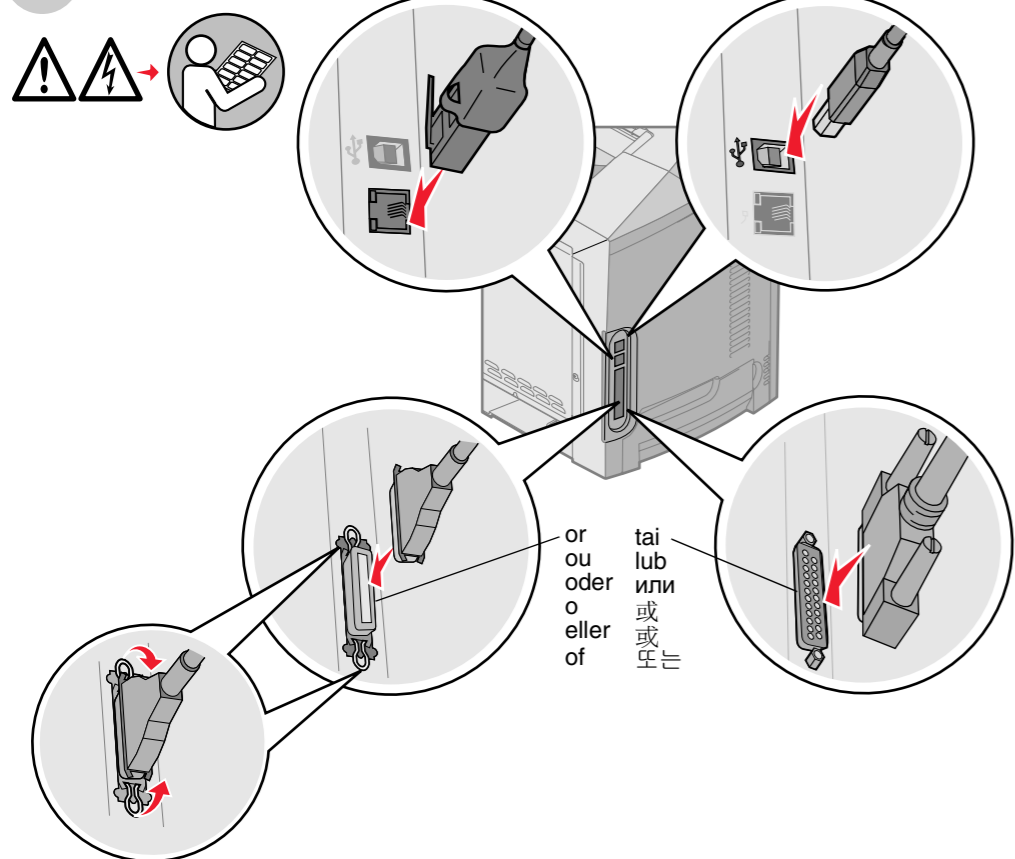
12



or
ou
oder
o
eller
of
tai
lub
или
或
或
或

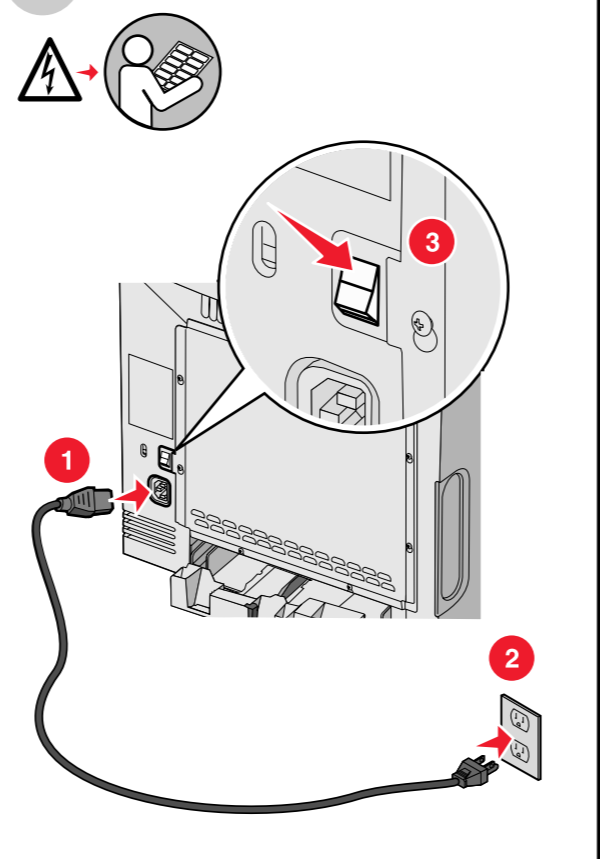


13

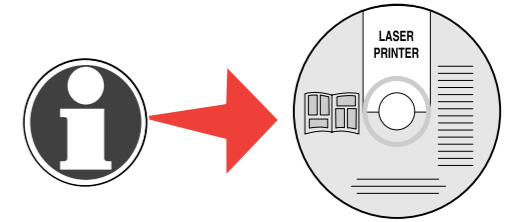
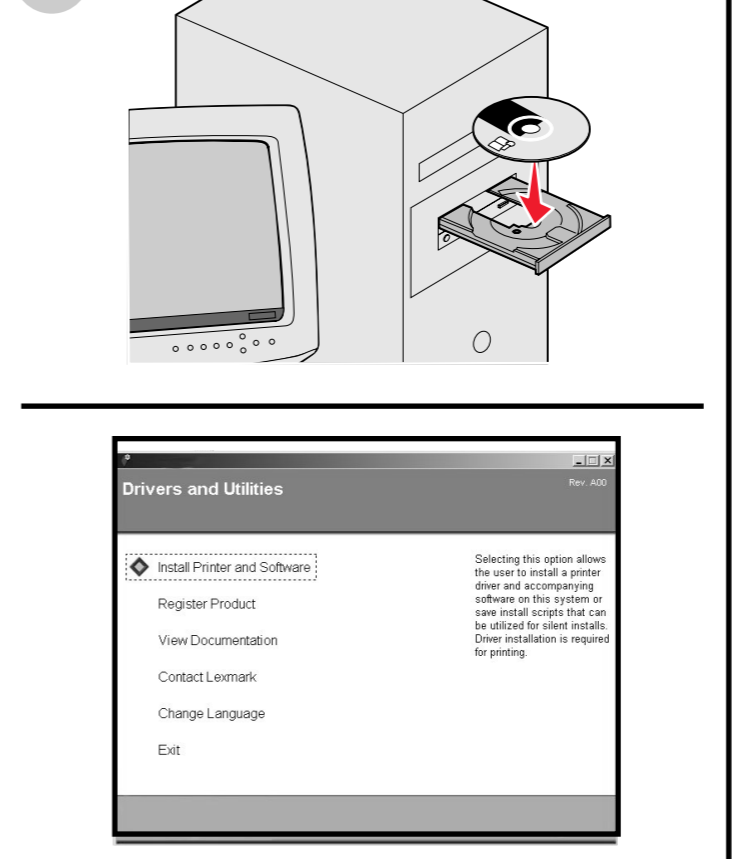


or
ou
oder
o
eller
of

14



15



Federal
Communications
Commission (FCC)
Information
This device complies with
Part 15 of the FCC rules.
Refer to the publications CD
for more compliance
information.