

Media guide

The printer supports the following paper and other specialty media sizes.

Supported paper sizes

Paper size and dimension	Standard 550-sheet tray	Optional 550-sheet tray	Optional 550-sheet specialty media drawer	Optional 2,000-sheet high-capacity feeder	Multipurpose feeder	Manual paper	Manual envelope	Duplex
A4 210 x 297 mm (8.27 x 11.7 in.)	√ ²	√ ¹	√ ¹	√ ¹	√ ²	√ ²	X	√
A5 148 x 210 mm (5.83 x 8.27 in.)	√ ²	√ ¹	√ ²	X	√ ²	√ ²	X	√
A6 105 x 148 mm (4.13 x 5.83 in.)	X	X	√ ²	X	√ ²	√ ²	X	X
JIS B5 182 x 257 mm (7.17 x 10.1 in.)	√ ²	√ ¹	√ ²	X	√ ²	√ ²	X	√
Letter 215.9 x 279.4 mm (8.5 x 11 in.)	√ ²	√ ¹	√ ¹	√ ¹	√ ²	√ ²	X	√
Legal 215.9 x 355.6 mm (8.5 x 14 in.)	√ ²	√ ¹	√ ¹	√ ¹	√ ²	√ ²	X	√
Executive 184.2 x 266.7 mm (7.25 x 10.5 in.)	√ ²	√ ¹	√ ²	X	√ ²	√ ²	X	√
Oficio (México) 215.9 x 340.4 mm (8.5 x 13.4 in.)	√ ²	√ ²	√ ²	X	√ ²	√ ²	X	√
Folio 215.9 x 330.2 mm (8.5 x 13 in.)	√ ²	√ ²	√ ²	X	√ ²	√ ²	X	√
Statement 139.7 x 215.9 mm (5.5 x 8.5 in.)	X	X	√ ²	X	√ ²	√ ²	X	√

¹ Source supports paper size with *size sensing*.

² Source supports paper size without *size sensing*.

³ Paper size is supported if set to US.

⁴ Paper size is supported if set to metric.

⁵ Paper size is supported if its length is between 8.27 in. (210 mm) and 14 in. (355.6 mm); and its width is between 5.5 in. (139.7 mm) and 8.5 in. (215.9 mm) in short-edge loading orientation.

⁶ This size setting formats the envelope for 215.9 x 355.6 mm (8.5 x 14 in.) unless the size is specified by the software program.

⁷ Turn Size Sensing off to support universal sizes that are close to standard media sizes.

Paper size and dimension	Standard 550-sheet tray	Optional 550-sheet tray	Optional 550-sheet specialty media drawer	Optional 2,000-sheet high-capacity feeder	Multipurpose feeder	Manual paper	Manual envelope	Duplex
Universal⁷ 148 x 210 mm to 215.9 x 355.6 mm (5.83 x 8.27 in. to 8.5 x 14 in.)	√ ²	√ ¹	√	X	√ ²	√ ²	X	√ ⁵
Universal⁷ 76.2 x 127 mm (3 x 5 in.) to 215.9 x 1219.2 mm (8.5 x 48 in.)	X	X	X	X	√ ²	X	X	X
7 3/4 Envelope (Monarch) 98.4 x 190.5 mm (3.875 x 7.5 in.)	X	X	√ ²	X	√ ²	X	√ ²	X
9 Envelope 98.4 x 226.1 mm (3.875 x 8.9 in.)	X	X	√ ²	X	√ ²	X	√ ²	X
Com 10 Envelope 104.8 x 241.3 mm (4.12 x 9.5 in.)	X	X	√ ¹	X	√ ²	X	√ ²	X
DL Envelope 110 x 220 mm (4.33 x 8.66 in.)	X	X	√ ¹	X	√ ²	X	√ ²	X
C5 Envelope 162 x 229 mm (6.38 x 9.01 in.)	X	X	√ ¹	X	√ ²	X	√ ²	X
B5 Envelope 176 x 250 mm (6.93 x 9.84 in.)	X	X	√ ²	X	√ ²	X	√ ²	X
Other Envelope⁶ 85.7 x 165 mm to 215.9 x 355.6 mm (3.375 x 6.50 in. to 8.5 x 14 in.)	X	X	√ ²	X	√ ²	X	√ ²	X

¹ Source supports paper size with *size sensing*.

² Source supports paper size without *size sensing*.

³ Paper size is supported if set to US.

⁴ Paper size is supported if set to metric.

⁵ Paper size is supported if its length is between 8.27 in. (210 mm) and 14 in. (355.6 mm); and its width is between 5.5 in. (139.7 mm) and 8.5 in. (215.9 mm) in short-edge loading orientation.

⁶ This size setting formats the envelope for 215.9 x 355.6 mm (8.5 x 14 in.) unless the size is specified by the software program.

⁷ Turn Size Sensing off to support universal sizes that are close to standard media sizes.

Storing paper

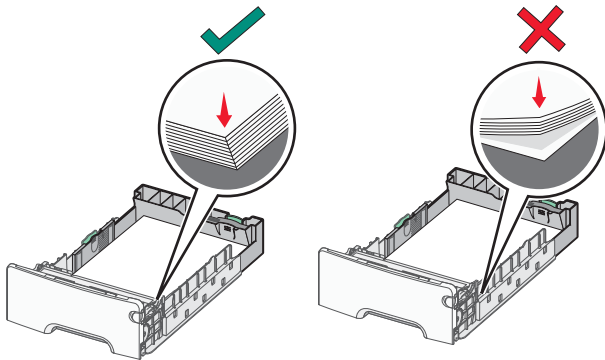
Use these paper storage guidelines to help avoid jams and uneven print quality:

- For best results, store paper where the temperature is 21°C (70°F) and the relative humidity is 40%. Most label manufacturers recommend printing in a temperature range of 18 to 24°C (65 to 75°F) with relative humidity between 40 and 60%.
- Store paper in cartons when possible, on a pallet or shelf, rather than on the floor.
- Store individual packages on a flat surface.
- Do not store anything on top of individual paper packages.

Avoiding jams

Load paper properly

- Make sure paper lies flat in the tray.



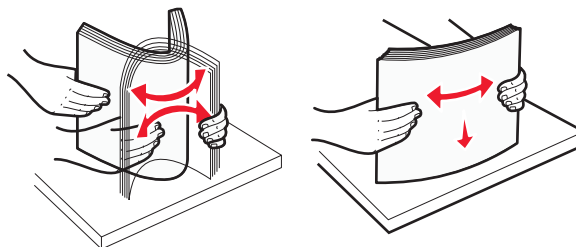
Correct paper loading

Incorrect paper loading

- Do not remove a tray while the printer is printing.
- Do not load a tray while the printer is printing. Load it before printing, or wait for a prompt to load it.
- Do not load too much paper. Make sure the stack height does not exceed the maximum paper fill indicator.
- Make sure the guides in the tray or the multipurpose feeder are properly positioned and are not pressing too tightly against the paper or envelopes.
- Push the tray in firmly after loading paper.

Use recommended paper

- Use only recommended paper or specialty media.
- Do not load wrinkled, creased, damp, bent, or curled paper.
- Flex and straighten paper before loading it.



- Do not use paper that has been cut or trimmed by hand.
- Do not mix paper sizes, weights, or types in the same stack.

- Make sure all paper sizes and types are set correctly in the printer control panel menus.
- Store paper per manufacturer recommendations.