



C790 Series

User's Guide

October 2014

www.lexmark.com

Machine type(s):

5062

Model(s):

210, 230, 235

Contents

- Safety information.....6**
- Learning about the printer.....8**
 - Finding information about the printer.....8
 - Selecting a location for the printer.....9
 - Printer configurations.....10
 - Understanding the printer control panel.....11
- Understanding the home screen.....13**
 - Understanding the home screen.....13
 - Using the touch-screen buttons.....14
- Setting up and using the home screen applications.....17**
 - Finding the IP address of the printer.....17
 - Finding the IP address of the computer.....17
 - Accessing the Embedded Web Server.....17
 - Activating the home screen applications.....18
 - Exporting and importing a configuration.....20
- Additional printer setup.....21**
 - Installing internal options.....21
 - Order of installation.....39
 - Installing optional trays.....39
 - Supported finishing features.....40
 - Attaching cables.....42
 - Verifying printer setup.....43
 - Setting up the printer software.....44
 - Setting up wireless printing.....45
 - Changing port settings after installing a new network ISP.....50
 - Setting up serial printing (Windows only).....51
- Minimizing your printer's environmental impact.....52**
 - Saving paper and toner.....52
 - Saving energy.....53
 - Recycling.....55

Loading paper and specialty media.....	57
Setting the paper size and type.....	57
Configuring Universal paper settings.....	57
Loading the standard or optional 550-sheet tray.....	57
Loading the 2000-sheet high-capacity feeder.....	60
Loading the multipurpose feeder.....	63
Linking and unlinking trays.....	65
Paper and specialty media guide.....	68
Paper guidelines.....	68
Storing paper.....	70
Supported paper sizes, types, and weights.....	71
Printing.....	74
Printing a document.....	74
Printing from a flash drive or mobile device.....	75
Printing specialty documents.....	76
Printing confidential and other held jobs.....	79
Printing information pages.....	80
Canceling a print job.....	81
Understanding the printer menus.....	82
Menu list.....	82
Supplies menu.....	83
Paper menu.....	84
Reports menu.....	96
Network/Ports menu.....	97
Security menu.....	110
Settings menu.....	113
Help menu.....	133
Securing the memory before moving the printer.....	135
Statement of Volatility.....	135
Erasing volatile memory.....	135
Erasing non-volatile memory.....	135
Erasing printer hard disk memory.....	136
Configuring printer hard disk encryption.....	136

Maintaining the printer.....	138
Cleaning the exterior of the printer.....	138
Cleaning the printhead lenses.....	138
Storing supplies.....	139
Checking the status of supplies.....	140
Ordering supplies.....	140
Replacing supplies.....	142
Moving the printer.....	146
Administrative support.....	148
Finding advanced networking and administrator information.....	148
Using the Embedded Web Server.....	148
Checking the virtual display.....	148
Checking the status of the printer.....	148
Setting up e-mail alerts.....	149
Viewing reports.....	149
Restoring factory default settings.....	149
Clearing jams.....	151
Avoiding jams.....	151
Understanding jam numbers and locations.....	151
200 paper jam.....	153
201 paper jam.....	153
202–203 paper jams.....	154
230 paper jam.....	155
231–239 paper jams.....	156
24x paper jam.....	156
250 paper jam.....	157
400–403 and 460–461 paper jams.....	158
431–454, and 456–458 paper jams.....	159
455 staple jam.....	159
Troubleshooting.....	162
Checking an unresponsive printer.....	162
Understanding the printer messages.....	162
Solving printing problems.....	177

Solving home screen application problems.....181

Solving option problems.....181

Solving paper feed problems.....184

Solving print quality problems.....185

Solving color quality problems.....196

Embedded Web Server does not open.....199

Contacting customer support.....199

Notices.....201

Product information.....201


Edition notice.....201

Power consumption.....206


Index.....215

Safety information


Connect the power cord directly to an appropriately rated and properly grounded electrical outlet that is near the product and easily accessible.


 **CAUTION—POTENTIAL INJURY:** Do not use this product with extension cords, multioutlet power strips, multioutlet extenders, or other types of surge or UPS devices. The power rating capacity of these types of accessories can be easily overloaded by a laser printer and may result in poor printer performance, property damage, or potential fire.


Do not place or use this product near water or wet locations.


 **CAUTION—POTENTIAL INJURY:** This product uses a laser. Use of controls or adjustments or performance of procedures other than those specified herein may result in hazardous radiation exposure.

This product uses a printing process that heats the print media, and the heat may cause the media to release emissions. You must understand the section in your operating instructions that discusses the guidelines for selecting print media to avoid the possibility of harmful emissions.

 **CAUTION—POTENTIAL INJURY:** The lithium battery in this product is not intended to be replaced. There is a danger of explosion if a lithium battery is incorrectly replaced. Do not recharge, disassemble, or incinerate a lithium battery. Discard used lithium batteries according to the manufacturer's instructions and local regulations.

 **CAUTION—HOT SURFACE:** The inside of the printer might be hot. To reduce the risk of injury from a hot component, allow the surface to cool before touching.


 **CAUTION—POTENTIAL INJURY:** The printer weight is greater than 18 kg (40 lb) and requires two or more trained personnel to lift it safely.


 **CAUTION—POTENTIAL INJURY:** Before moving the printer, follow these guidelines to avoid personal injury or printer damage:

- Turn the printer off using the power switch, and then unplug the power cord from the wall outlet.
- Disconnect all cords and cables from the printer before moving it.
- Lift the printer off the optional drawer, and set it aside instead of trying to lift the drawer and printer at the same time.


Note: Use the handholds located on both sides of the printer to lift it off the optional drawer.

Use only the power cord provided with this product or the manufacturer's authorized replacement.


 **CAUTION—SHOCK HAZARD:** If you are accessing the system board or installing optional hardware or memory devices sometime after setting up the printer, then turn the printer off, and unplug the power cord from the wall outlet before continuing. If you have any other devices attached to the printer, then turn them off as well, and unplug any cables going into the printer.


 **CAUTION—SHOCK HAZARD:** Make sure that all external connections (such as Ethernet and telephone system connections) are properly installed in their marked plug-in ports.


This product is designed, tested, and approved to meet strict global safety standards with the use of specific manufacturer's components. The safety features of some parts may not always be obvious. The manufacturer is not responsible for the use of other replacement parts.


 **CAUTION—POTENTIAL INJURY:** Do not cut, twist, bind, crush, or place heavy objects on the power cord. Do not subject the power cord to abrasion or stress. Do not pinch the power cord between objects such as furniture and walls. If any of these things happen, a risk of fire or electrical shock results. Inspect the power cord regularly for signs of such problems. Remove the power cord from the electrical outlet before inspecting it.

Refer service or repairs, other than those described in the user documentation, to a service representative.

 **CAUTION—SHOCK HAZARD:** To avoid the risk of electric shock when cleaning the exterior of the printer, unplug the power cord from the wall outlet and disconnect all cables from the printer before proceeding.

 **CAUTION—SHOCK HAZARD:** Do not set up this product or make any electrical or cabling connections, such as the fax feature, power cord, or telephone, during a lightning storm.


 **CAUTION—TIPPING HAZARD:** Floor-mounted configurations require additional furniture for stability. You must use either a printer stand or printer base if you are using a high-capacity input tray, a duplex unit and an input option, or more than one input option. If you purchased a multifunction printer (MFP) that scans, copies, and faxes, you may need additional furniture. For more information, see www.lexmark.com/multifunctionprinters.

 **CAUTION—POTENTIAL INJURY:** To reduce the risk of equipment instability, load each paper drawer or tray separately. Keep all other drawers or trays closed until needed.

SAVE THESE INSTRUCTIONS.


Learning about the printer

Finding information about the printer

What are you looking for?	Find it here
Initial setup instructions: <ul style="list-style-type: none"> • Connecting the printer • Installing the printer software 	Setup documentation—The setup documentation came with the printer and is also available at http://support.lexmark.com .
Additional setup and instructions for using the printer: <ul style="list-style-type: none"> • Selecting and storing paper and specialty media • Loading paper • Configuring printer settings • Viewing and printing documents and photos • Setting up and using the printer software • Configuring the printer on a network • Caring for and maintaining the printer • Troubleshooting and solving problems 	<i>User's Guide</i> and <i>Quick Reference Guide</i> —The guides are available at http://support.lexmark.com . Note: These guides are also available in other languages.
Information on setting up and configuring the accessibility features of your printer	<i>Lexmark Accessibility Guide</i> —This guide is available at http://support.lexmark.com .
Help using the printer software	Windows or Mac Help—Open a printer software program or application, and then click Help . Click  to view context-sensitive information. Notes: <ul style="list-style-type: none"> • Help is automatically installed with the printer software. • The printer software is located in the printer program folder or on the desktop, depending on your operating system.

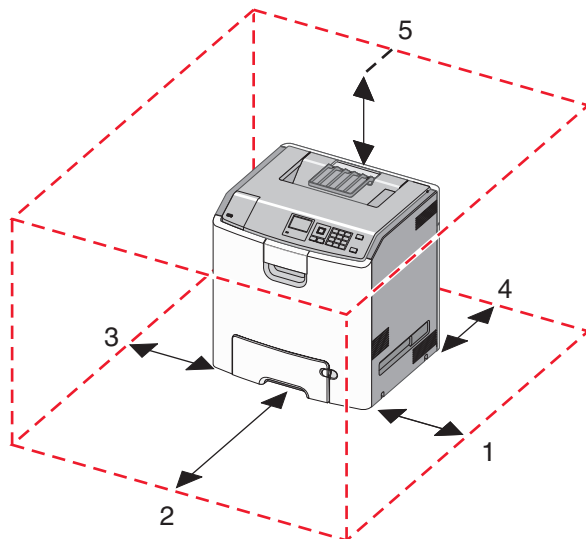
What are you looking for?	Find it here
<p>The latest supplemental information, updates, and customer support:</p> <ul style="list-style-type: none"> • Documentation • Driver downloads • Live chat support • E-mail support • Voice support 	<p>Lexmark support Web site— http://support.lexmark.com</p> <p>Note: Select your country or region, and then select your product to view the appropriate support site.</p> <p>Support telephone numbers and hours of operation for your country or region can be found on the support Web site or on the printed warranty that came with your printer.</p> <p>Record the following information (located on the store receipt and at the back of the printer), and have it ready when you contact customer support so that they may serve you faster:</p> <ul style="list-style-type: none"> • Machine Type number • Serial number • Date purchased • Store where purchased
<p>Warranty information</p>	<p>Warranty information varies by country or region:</p> <ul style="list-style-type: none"> • In the U.S.—See the Statement of Limited Warranty included with this printer, or go to http://support.lexmark.com. • In other countries and regions—See the printed warranty that came with this printer.

Selecting a location for the printer

 **CAUTION—POTENTIAL INJURY:** The printer weight is greater than 18 kg (40 lb) and requires two or more trained personnel to lift it safely.

When selecting a location for the printer, leave enough room to open trays, covers, and doors. If you plan to install any options, leave enough room for them too. It is important to:

- Make sure airflow in the room meets the latest revision of the ASHRAE 62 standard or the CEN Technical Committee 156 standard.
- Provide a flat, sturdy, and stable surface.
- Keep the printer:
 - Away from the direct airflow of air conditioners, heaters, or ventilators
 - Free from direct sunlight, humidity extremes, or temperature fluctuations
 - Clean, dry, and free of dust
- Allow the following recommended amount of space around the printer for proper ventilation:

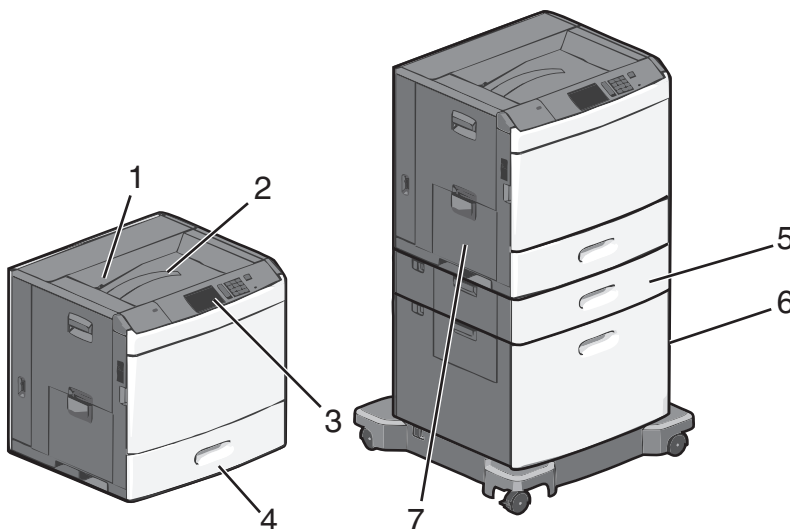


1	152.4 mm (6.0 in.)
2	101.6 mm (4.0 in.)
3	609.6 mm (24.0 in.)
4	381 mm (15.0 in.)
5	304.8 mm (12.0 in.)

Printer configurations

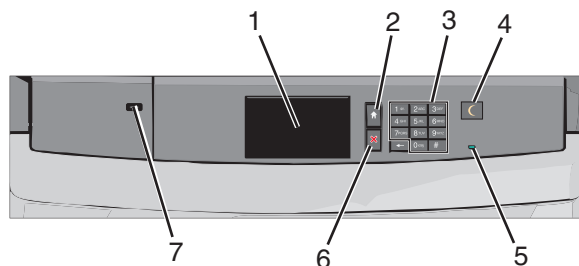
CAUTION—TIPPING HAZARD: Floor-mounted configurations require additional furniture for stability. You must use either a printer stand or printer base if you are using a high-capacity input tray, a duplex unit and an input option, or more than one input option. If you purchased a multifunction printer (MFP) that scans, copies, and faxes, you may need additional furniture. For more information, see www.lexmark.com/multifunctionprinters.

You can configure your basic printer by adding optional trays.



1	Standard exit bin
2	Wire bail
3	Printer control panel
4	Standard 550-sheet tray
5	Optional 550-sheet tray
6	Optional 2000-sheet high-capacity feeder
7	Multipurpose feeder

Understanding the printer control panel



Item	Description	
1	Display	Shows the status of the printer
2	Home	Lets you navigate back to the home screen
3	Keypad	Allows you to enter numbers, letters, or symbols on the printer
4	Sleep	<p>Enables Sleep Mode or Hibernate Mode</p> <p>The following are the statuses of the indicator light and the Sleep button:</p> <ul style="list-style-type: none"> • Entering or waking from Sleep Mode—The indicator light is illuminated solid green, Sleep button is unilluminated. • Operating in Sleep Mode—The indicator light is illuminated solid green, Sleep button is illuminated solid amber. • Entering or waking from Hibernate Mode—The indicator light is illuminated solid green, Sleep button is illuminated blinking amber. • Operating in Hibernate Mode—The indicator light is unilluminated, Sleep button is blinking amber for 1/10 of a second, then go completely unilluminated for 1.9 seconds in pulsing pattern. <p>The following actions wake the printer from Sleep Mode:</p> <ul style="list-style-type: none"> • Touching the screen or any hard button presses. • Opening an input tray, cover, or door. • Sending a print job from the computer. • Performing a Power On Reset (POR) with the main power switch.

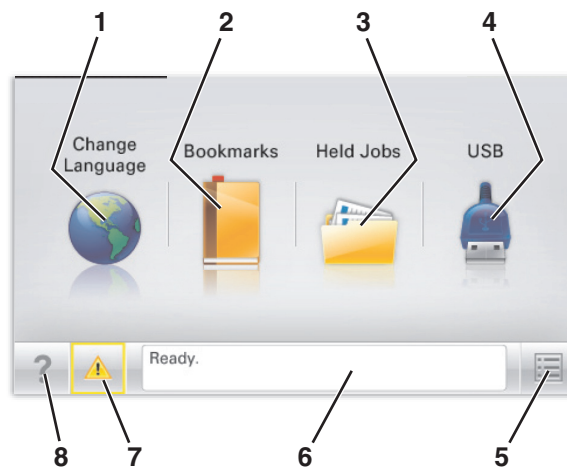
Item		Description
5	Indicator light	Off—The printer is off. Blinking green—The printer is warming up, processing data, or printing. Solid green—The printer is on, but idle. Solid red—Operator intervention is needed.
6	Stop/Cancel	Stops all printer activity Note: A list of options is displayed once Stopped appears on the display.
7	USB port	Allows you to connect a USB Bluetooth adapter, or a flash drive to the printer Note: Only the front USB port supports flash drives.

Understanding the home screen

Understanding the home screen

When the printer is turned on, the display shows a basic screen, referred to as the home screen. Use the home screen buttons and icons to initiate an action.

Note: Your home screen, icons, and the buttons may vary depending on your home screen customization settings, administrative setup, and active embedded solutions.



Touch	To
1	Change Language Change the primary language of the printer.
2	Bookmarks Create, organize, and save a set of bookmarks (URLs) into a tree view of folders and file links. Note: The tree view does not include bookmarks created within Forms and Favorites , and the ones in the tree are not usable from within Forms and Favorites .
3	Held Jobs Display all current held jobs.
4	USB or USB Thumbdrive View, select, or print photos and documents from a flash drive. Note: This icon appears only when you return to the home screen while a memory card or flash drive is connected to the printer.
5	Menus Access printer menus. Note: These menus are available only when the printer is in the Ready state.
6	Status message bar <ul style="list-style-type: none"> • Show the current printer status such as Ready or Busy. • Show printer conditions such as Fuser missing or Cartridge Low. • Show intervention messages and the instructions on how to clear them.
7	Status/Supplies <ul style="list-style-type: none"> • Display a warning or error message whenever the printer requires intervention to continue processing. • Access the messages screen for more information on the message, and how to clear it.
8	Tips Open a context-sensitive Help information on the touch screen.

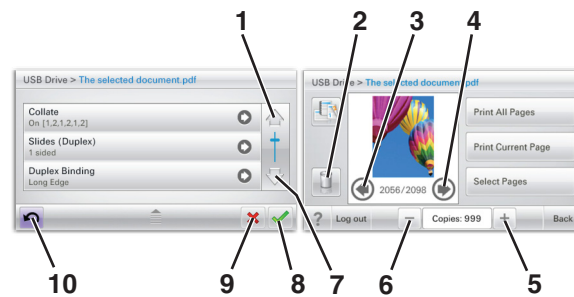
This may also appear on the home screen:






Touch	To
Search Held Jobs	Search current held jobs.






Using the touch-screen buttons

Note: Your home screen, icons, and buttons may vary depending on your home screen customization settings, administrative setup, and active embedded solutions.

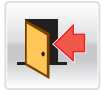

Sample touch screen





	Touch	To
1	Up arrow 	Scroll up.
2	Delete folder 	Delete the file you selected.
3	Left arrow 	Scroll to the left.
4	Right arrow 	Scroll to the right.
5	Right scroll increase 	Scroll to another value in increasing order.

	Touch	To
6	Left scroll decrease 	Scroll to another value in decreasing order.
7	Down arrow 	Scroll down.
8	Accept 	Save a setting.
9	Cancel 	<ul style="list-style-type: none"> • Cancel an action or a selection. • Cancel out a screen and return to the previous screen.
10	Back 	Navigate back to the previous screen.

Other touch-screen buttons

Touch	To
Exit 	Exit from the current screen to the home screen.
Radio button 	Select or clear an item.

Features

Feature	Description
Menu trail line: <u>Menus</u> > <u>Settings</u> > <u>Print Settings</u> > Number of Copies	A menu trail line is located at the top of each menu screen. This feature acts as a trail, showing the path taken to arrive at the current menu. It gives the exact location within the menus. Number of Copies is not underlined since this is the current screen. If you touch an underlined word on the Number of Copies screen before the Number of Copies is set and saved, then the selection is not saved, and does not become the default setting.
Attendance message alert 	If an attendance message affects a function, then this icon appears and the red indicator light blinks.
Warning 	If an error condition occurs, then this icon appears.

Setting up and using the home screen applications

Notes:

- Your home screen may vary depending on your home screen customization settings, administrative setup, and active embedded applications. Some applications are supported only in some printer models.
- There may be additional solutions and applications available for purchase. For more information, go to www.lexmark.com or contact the place where you purchased the printer.

Finding the IP address of the printer

Note: Make sure your printer is connected to a network or to a print server.

You can find the printer IP address:

- From the top left corner of the printer home screen.
- From the TCP/IP section in the Network/Ports menu.
- By printing a network setup page or menu settings page, and then finding the TCP/IP section.

Note: An IP address appears as four sets of numbers separated by periods, such as 123.123.123.123.

Finding the IP address of the computer

For Windows users

- 1 In the Run dialog box, type `cmd` to open the command prompt.
- 2 Type `ipconfig`, and then look for the IP address.

For Macintosh users

- 1 From System Preferences in the Apple menu, select **Network**.
- 2 Select your connection type, and then click **Advanced > TCP/IP**.
- 3 Look for the IP address.

Accessing the Embedded Web Server

The Embedded Web Server is the printer Web page that lets you view and remotely configure printer settings even when you are not physically near the printer.

- 1 Obtain the printer IP address:
 - From the printer control panel home screen
 - From the TCP/IP section in the Network/Ports menu
 - By printing a network setup page or menu settings page, and then finding the TCP/IP section

Note: An IP address appears as four sets of numbers separated by periods, such as 123 . 123 . 123 . 123 .

- 2 Open a Web browser, and then type the printer IP address in the address field.

3 Press **Enter**.

Note: If you are using a proxy server, then temporarily disable it to load the Web page correctly.

Showing or hiding icons on the home screen

1 From the Embedded Web Server, click **Settings > General Settings > Home screen customization**.

A list of basic printer functions appears.

2 Select the check boxes to specify which icons appear on the printer home screen.


Cleared check box items are hidden.

3 Click **Submit**.

Activating the home screen applications

For detailed information about configuring and using home screen applications, visit the Lexmark Web site at <http://support.lexmark.com>.

Background and Idle Screen

Icon	Description
	The application lets you customize the background and idle screen of your printer home screen.


To change the background of the printer home screen using the printer control panel, do the following:

1 From the home screen, navigate to:

Change Background > select background to use

2 Touch .

Forms and Favorites


Icon	Description
	<p>The application helps you simplify and streamline work processes by letting you quickly find and print frequently used online forms directly from the home screen. For example, you can print the latest version of a form exactly when you need it. This eliminates inventories of printed forms that can easily become outdated.</p> <p>Note: The printer must have permission to access the network folder, FTP site, or Web site where the bookmark is stored. From the computer where the bookmark is stored, use sharing, security, and firewall settings to allow the printer at least a <i>read</i> access. For help, see the documentation that came with your operating system.</p>

To configure Forms and Favorites, do the following:


- 1 From the Embedded Web Server, click **Settings > Device Solutions > Solutions (eSF) > Forms and Favorites**.
- 2 Define the bookmarks, and then customize the settings.
- 3 Click **Apply**.

To use the application, touch **Forms and Favorites** on the home screen, and then navigate through form categories, or search for forms based on a form number, name, or description.

Eco-Settings

Icon	Description
	<p>The application lets you easily manage energy consumption, noise, toner, and paper usage settings to help reduce the environmental impact of your printer.</p>

Showroom

Icon	Description
	<p>The application lets you create and display a customized slide show on the touch screen of your printer. You can specify how long each slide is displayed, and images can be loaded either from a flash drive or through the printer Embedded Web Server.</p>

Remote Operator Panel

This application shows the printer control panel on your computer screen and lets you interact with the printer control panel, even when you are not physically near the printer. From your computer screen, you can view the printer status, release held print jobs, create bookmarks, and do other print-related tasks you might normally do while standing at the printer.

To activate Remote Operator Panel, do the following:

- 1 From the Embedded Web Server, click **Settings > Device Solutions > Solutions (eSF) > Remote Operator Panel**.
- 2 Select the **Enabled** check box, and then customize the settings.
- 3 Click **Apply**.

To use Remote Operator Panel, from the Embedded Web Server, click **Applications > Remote Operator Panel > Launch VNC Applet**.

Exporting and importing a configuration

You can export configuration settings into a text file, and then import the file to apply the settings to other printers.

- 1 Open a Web browser, and then type the printer IP address in the address field.

Note: View the IP address on the printer home screen. The IP address appears as four sets of numbers separated by periods, such as 123.123.123.123.

- 2 Export or import a configuration file for one or multiple applications.

For one application

- a Navigate to:

Settings > Apps > Apps Management > select an application > Configure

- b Export or import the configuration file.

Notes:

- If a **JVM Out of Memory** error occurs, then repeat the export process until the configuration file is saved.
- If a timeout occurs and a blank screen appears, then refresh the Web browser, and then click **Apply**.

For multiple applications


- a Click **Settings > Import/Export**.

- b Export or import a configuration file.

Note: When importing a configuration file, click **Submit** to complete the process.

Additional printer setup

Installing internal options

 **CAUTION—SHOCK HAZARD:** If you are accessing the system board or installing optional hardware or memory devices sometime after setting up the printer, then turn the printer off, and unplug the power cord from the wall outlet before continuing. If you have any other devices attached to the printer, then turn them off as well, and unplug any cables going into the printer.

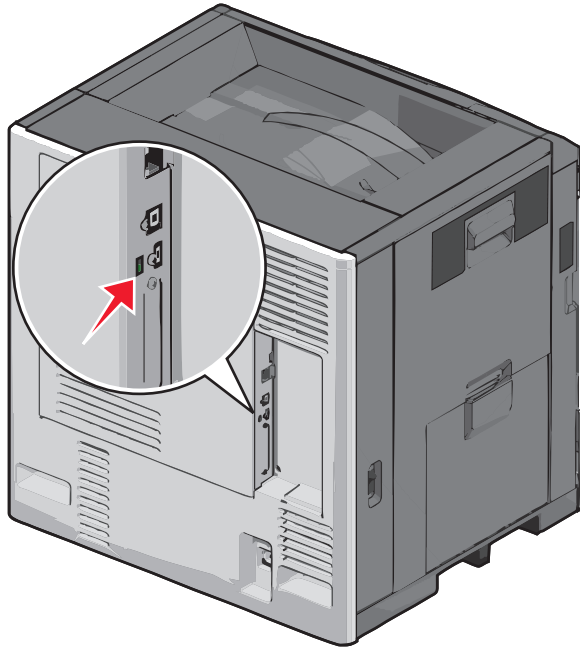
You can customize your printer connectivity and memory capacity by adding optional cards.

Available internal options

- Memory cards
 - Printer memory
 - Flash memory
 - Fonts
- Firmware cards
 - Bar Code
 - PrintCrypton™
- Printer hard disk
- Lexmark™ Internal Solutions Ports (ISP)
 - RS-232-C Serial ISP
 - Parallel 1284-B ISP
 - MarkNet™ N8250 802.11 b/g/n Wireless ISP
 - MarkNet N8130 10/100 Fiber ISP
 - MarkNet N8120 10/100/1000 Ethernet ISP

Using the security lock feature

The printer is equipped with a security lock feature. When a lock compatible with most laptop computers is attached, the printer is locked. Once locked, the metal plate and the system board cannot be removed. Attach a security lock to the printer in the location shown.

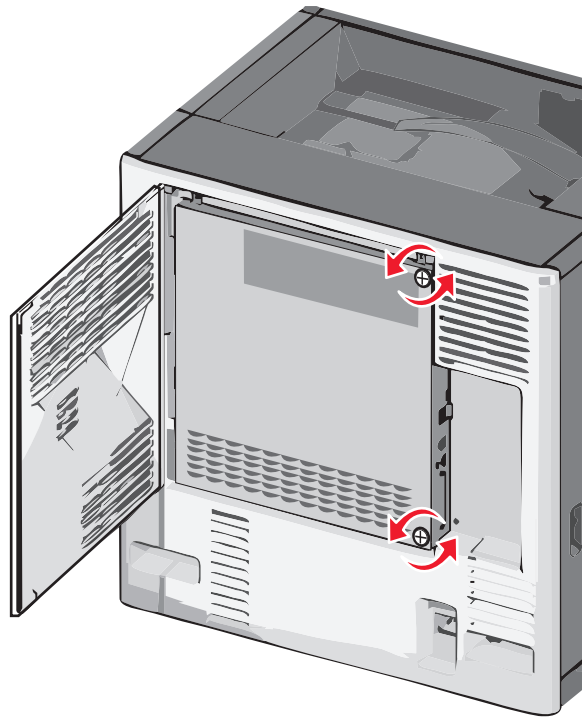


Accessing the system board

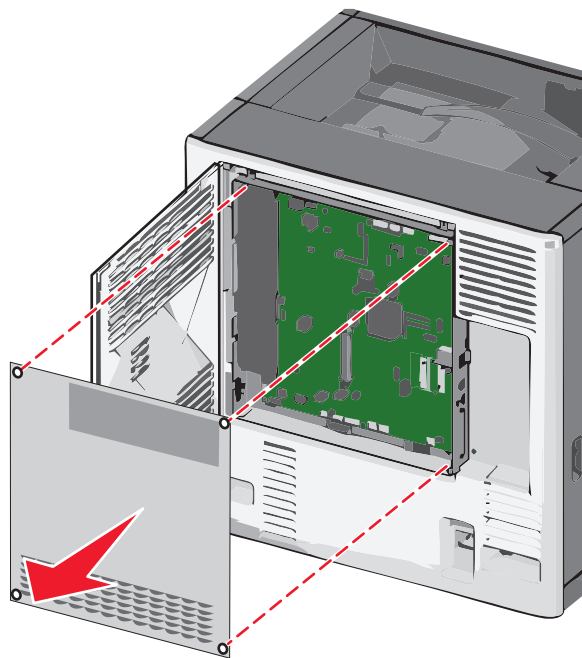
⚠ CAUTION—SHOCK HAZARD: If you are accessing the system board or installing optional hardware or memory devices sometime after setting up the printer, then turn the printer off, and unplug the power cord from the wall outlet before continuing. If you have any other devices attached to the printer, then turn them off as well, and unplug any cables going into the printer.

Note: This task requires a flathead screwdriver.

- 1 Open the cover.
- 2 Remove the metal panel.
 - a Turn the screws on the panel counterclockwise to remove them.

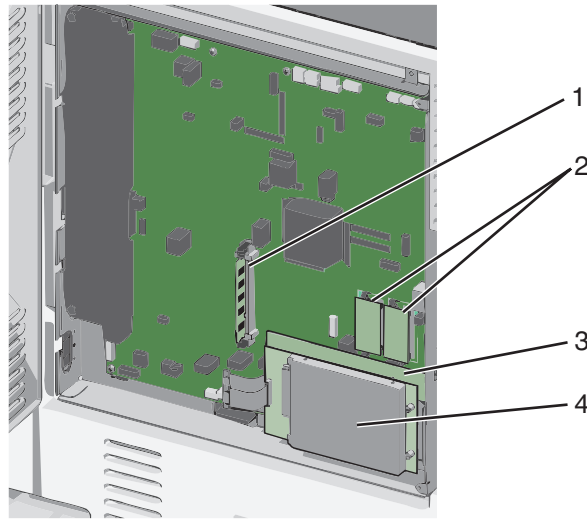


- b Shift the metal panel to the left to disengage the hooks, then pull forward to remove it.



- 3 Use the following illustration to locate the appropriate connectors.

Warning—Potential Damage: System board electronic components are easily damaged by static electricity. Touch something metal on the printer before touching any system board electronic components or connectors.

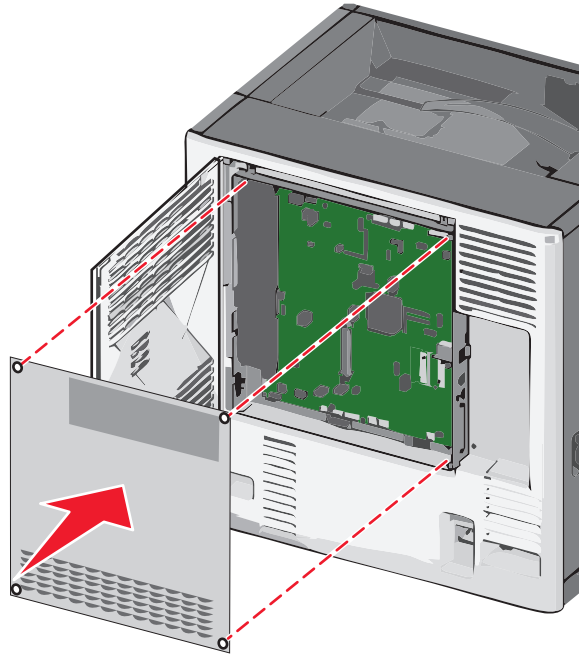


1	Memory card connector
2	Firmware and flash memory card connectors
3	Internal print server connector
4	Hard disk connector

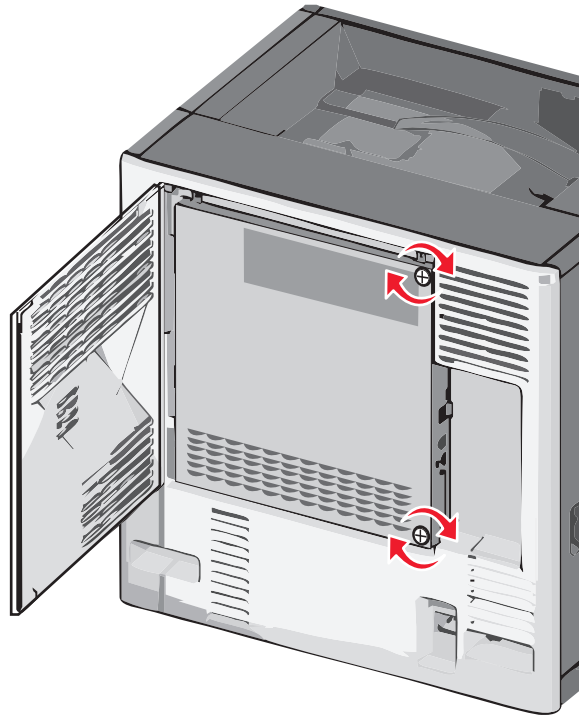
4 Reattach the system board cover.

Warning—Potential Damage: System board electronic components are easily damaged by static electricity. Touch something metal on the printer before touching any system board electronic components or connectors.

- a Reinstall the hooks on the left side of the metal panel into the slots on the system board cage, and then shift to the right.



- b Align and then turn each screw clockwise to tighten.



- c Close the cover.

Installing a memory card

⚠ CAUTION—SHOCK HAZARD: If you are accessing the system board or installing optional hardware or memory devices sometime after setting up the printer, then turn the printer off, and unplug the power cord from the wall outlet before continuing. If you have any other devices attached to the printer, then turn them off as well, and unplug any cables going into the printer.

Warning—Potential Damage: System board electronic components are easily damaged by static electricity. Touch something metal on the printer before touching any system board electronic components or connectors.

An optional memory card can be purchased separately and attached to the system board.

- 1 Access the system board.

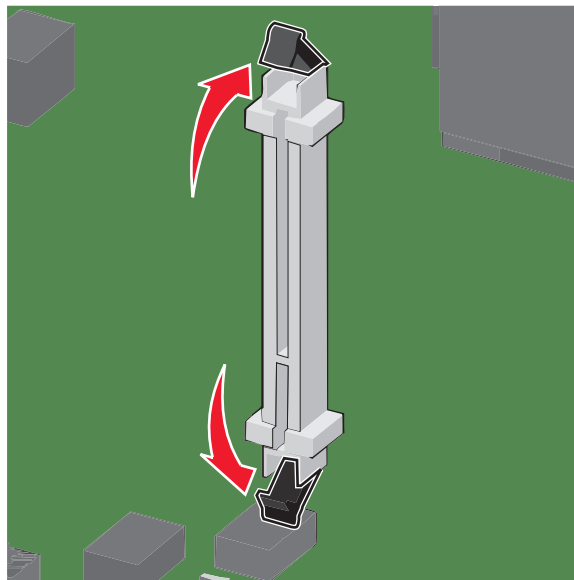
For more information, see [“Accessing the system board” on page 22](#).

Note: This task requires a flathead screwdriver.

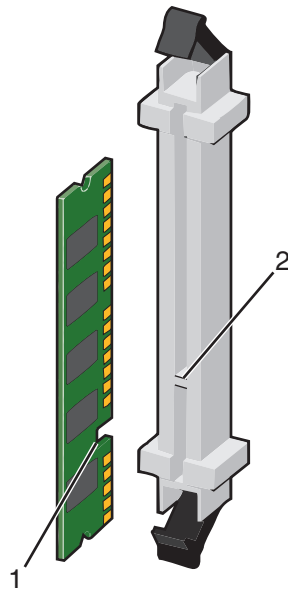
- 2 Unpack the memory card.

Note: Avoid touching the connection points along the edge of the card.

- 3 On the system board, open the memory card connector latches.

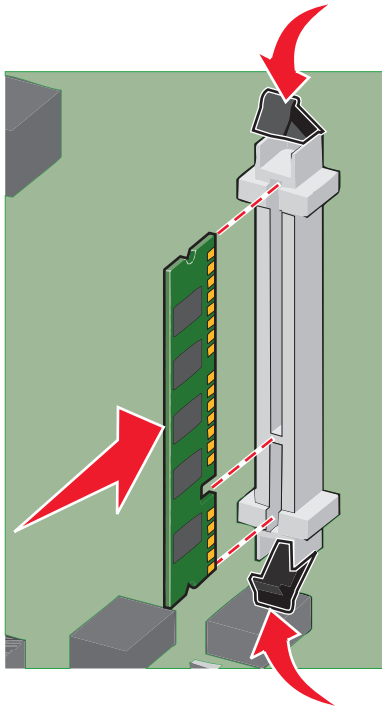


- 4 Align the notches on the memory card to the ridges on the connector.



1	Notch
2	Ridge

- 5 Push the memory card straight into the connector until it *clicks* into place.



- 6 Reattach the system board cover.

Installing a flash memory or firmware card

The system board has two connections for an optional flash memory or firmware card. Only one of each may be installed, but the connectors are interchangeable.

CAUTION—SHOCK HAZARD: If you are accessing the system board or installing optional hardware or memory devices sometime after setting up the printer, then turn the printer off, and unplug the power cord from the wall outlet before continuing. If you have any other devices attached to the printer, then turn them off as well, and unplug any cables going into the printer.

Warning—Potential Damage: System board electronic components are easily damaged by static electricity. Touch something metal on the printer before touching any system board electronic components or connectors.

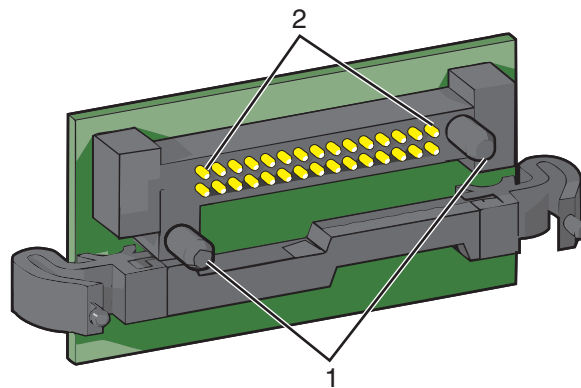
- 1 Access the system board.

Note: This task requires a flathead screwdriver.

- 2 Unpack the card.

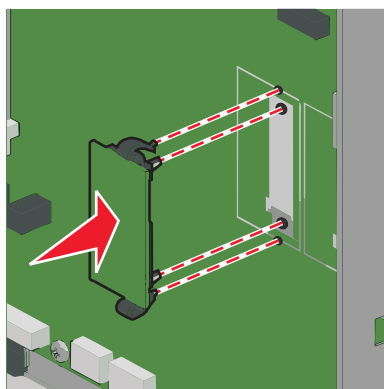
Note: Avoid touching the connection points along the edge of the card.

- 3 Holding the card by its sides, align the plastic pins on the card with the holes on the system board.



1	Plastic pins
2	Metal pins

- 4 Push the card firmly into place.



Notes:

- The entire length of the connector on the card must touch and be flush against the system board.

- Be careful not to damage the connectors.

5 Reattach the system board cover.

Installing an Internal Solutions Port

The system board supports one optional Lexmark Internal Solutions Port (ISP).

Note: This task requires a flathead screwdriver.

CAUTION—SHOCK HAZARD: If you are accessing the system board or installing optional hardware or memory devices sometime after setting up the printer, then turn the printer off, and unplug the power cord from the wall outlet before continuing. If you have any other devices attached to the printer, then turn them off as well, and unplug any cables going into the printer.

Warning—Potential Damage: System board electronic components are easily damaged by static electricity. Touch something metal on the printer before touching any system board electronic components or connectors.

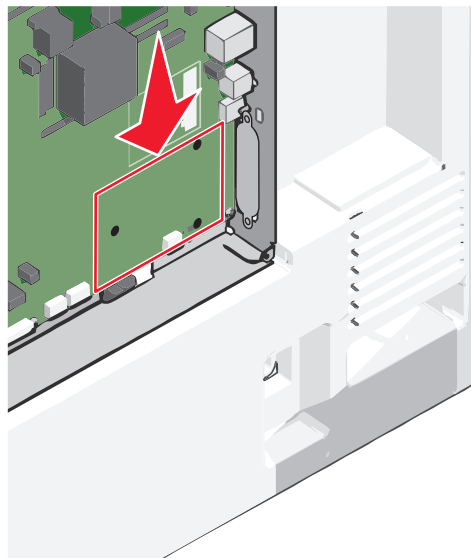
1 Access the system board.

For more information, see [“Accessing the system board” on page 22](#).

2 Unpack the ISP and plastic tee.

Note: Avoid touching the components on the card.

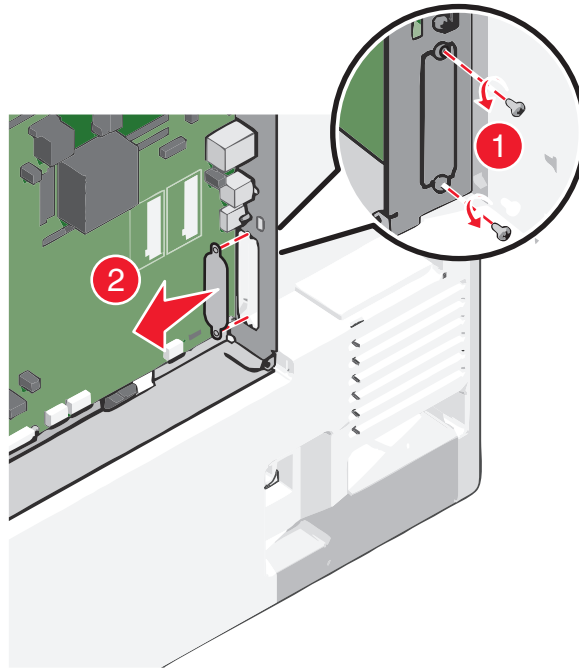
3 Locate the appropriate connector on the system board.



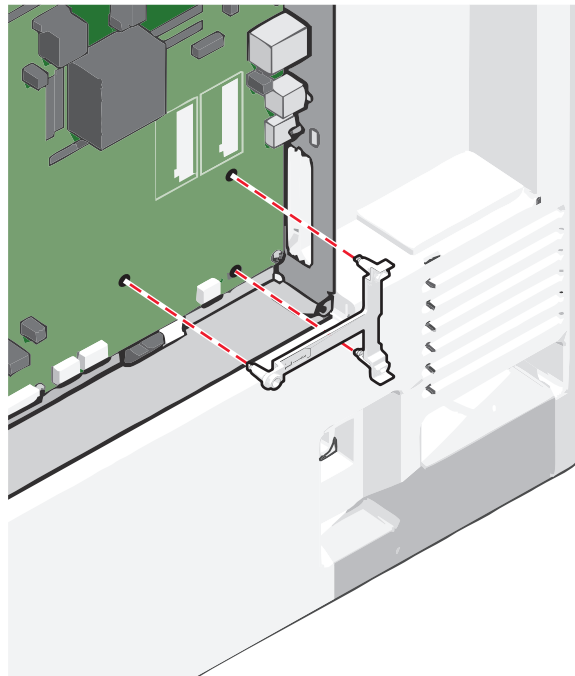
4 Remove the printer hard disk.

For more information, see [“Removing a printer hard disk” on page 37](#).

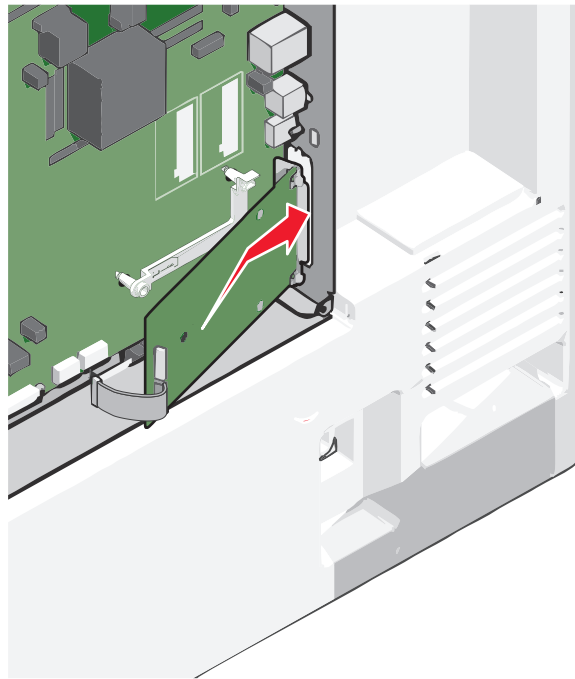
- 5 Remove the metal cover from the ISP opening.



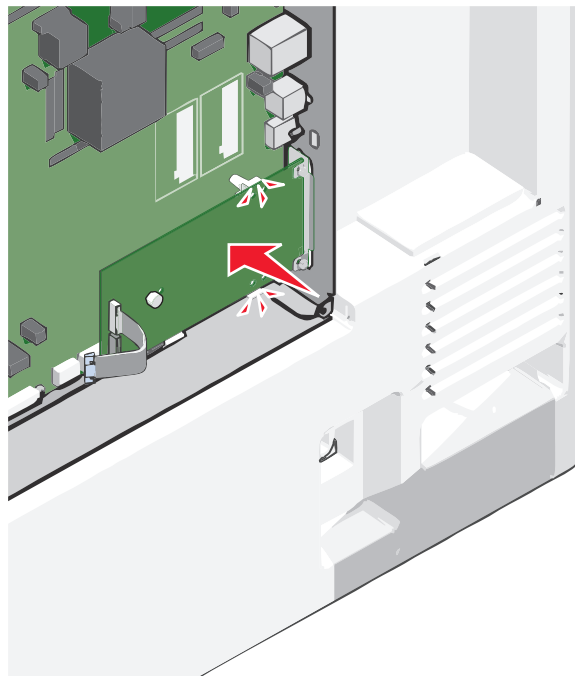
- 6 Align the posts of the plastic tee to the holes on the system board, and press down until the tee *clicks* into place. Be sure each post of the tee has latched completely, and the tee is seated firmly on the system board.



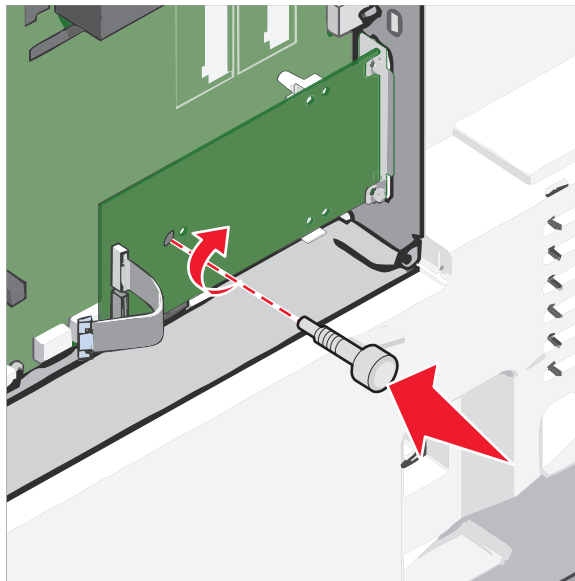
- 7** Install the ISP on the plastic tee. Angle the ISP over the plastic tee, and then slant it toward the plastic tee so that any overhanging connectors will pass through the ISP opening in the system board cage.



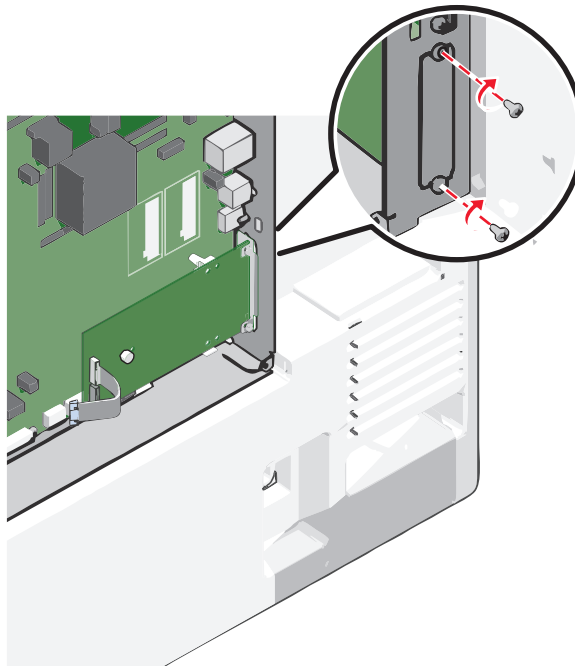
- 8** Lower the ISP toward the plastic tee until the ISP is seated between the guides of the plastic tee.



- 9** Insert the long thumbscrew and turn it clockwise, enough to hold the ISP in place, but do not yet tighten the thumbscrew.



- 10** Attach the two provided screws to secure the ISP mounting bracket to the system board cage.

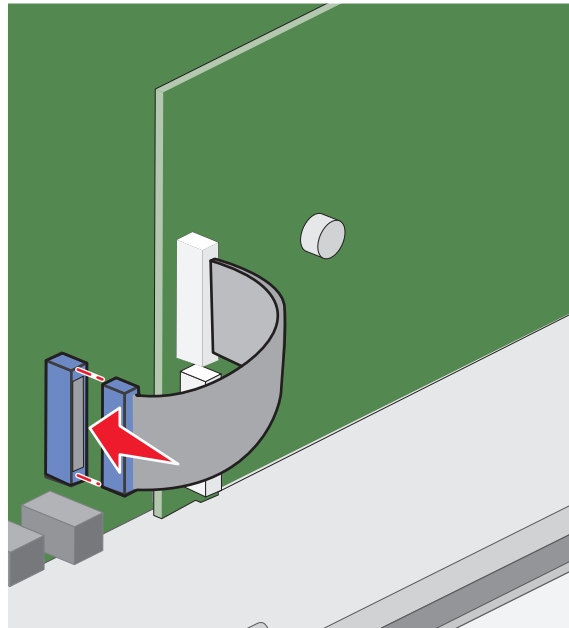


- 11** Tighten the long thumbscrew.

Warning—Potential Damage: Do not overtighten the thumbscrew.

- 12** Insert the plug of the ISP interface cable into the receptacle of the system board.

Note: The plugs and receptacles are color-coded.



13 Reattach the system board cover.

Installing a printer hard disk

Note: This task requires a flathead screwdriver.

⚠ CAUTION—SHOCK HAZARD: If you are accessing the system board or installing optional hardware or memory devices sometime after setting up the printer, then turn the printer off, and unplug the power cord from the wall outlet before continuing. If you have any other devices attached to the printer, then turn them off as well, and unplug any cables going into the printer.

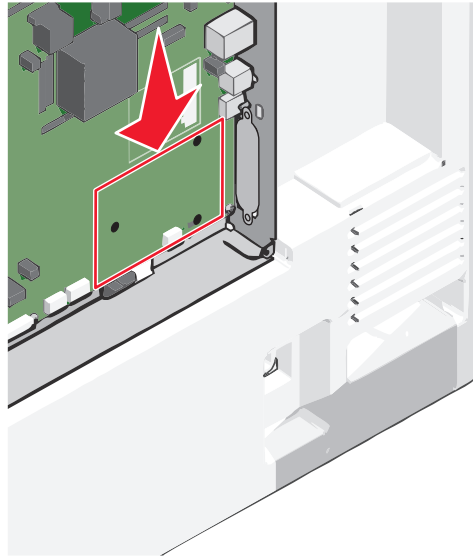
Warning—Potential Damage: System board electronic components are easily damaged by static electricity. Touch something metal on the printer before touching any system board electronic components or connectors.

1 Access the system board.

For more information, see [“Accessing the system board” on page 22](#).

2 Unpack the printer hard disk.

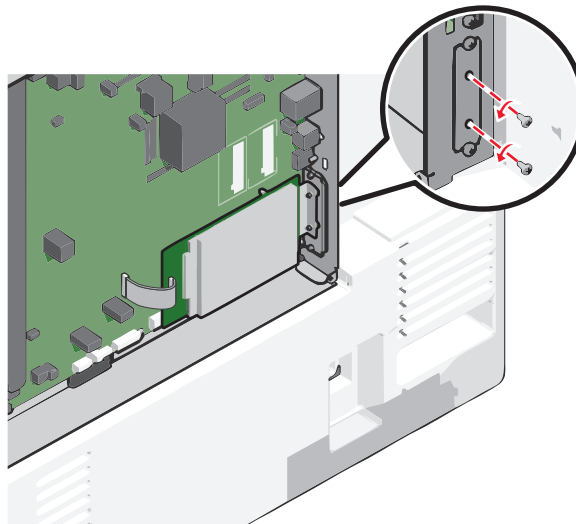
- 3 Locate the appropriate connector on the system board.



Note: If an optional ISP is currently installed, then the printer hard disk must be installed onto the ISP.

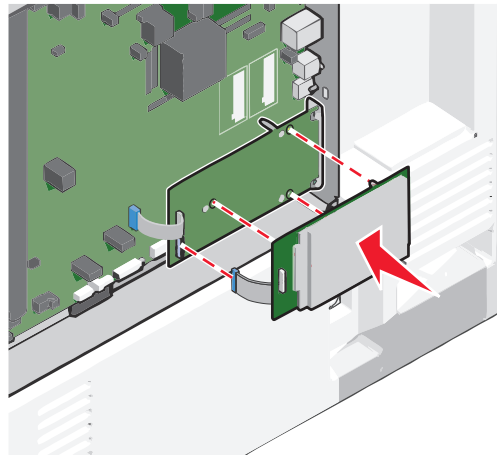
To install a printer hard disk onto the ISP:

- a Using a flathead screwdriver, loosen the screws.



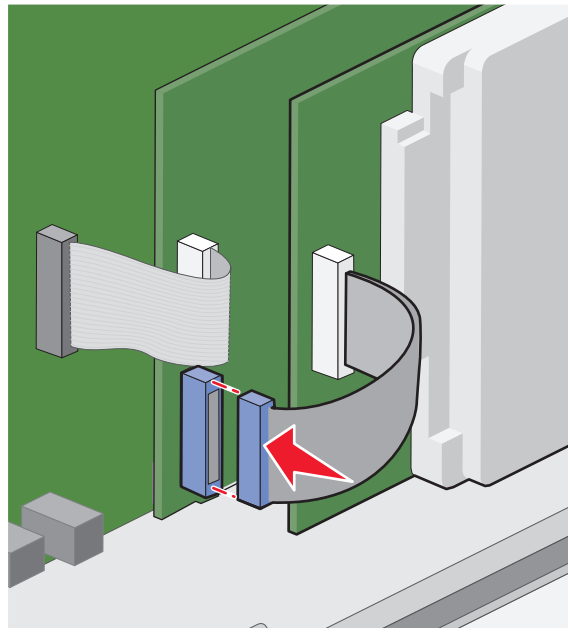
- b Remove the screws attached to the printer hard disk mounting bracket, and then remove the bracket.

- c Align the standoffs of the printer hard disk to the holes in the ISP, and then press down on the printer hard disk until the standoffs are in place.



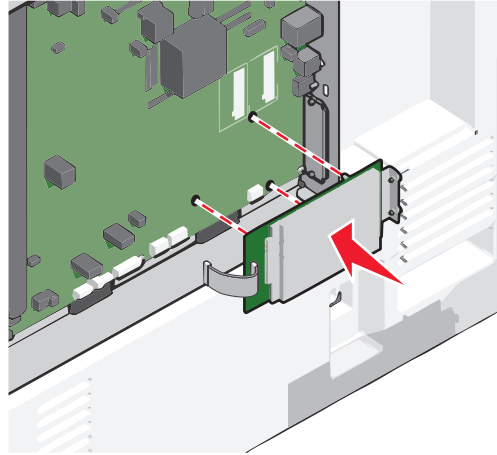
- d Insert the plug of the printer hard disk interface cable into the receptacle of the ISP.

Note: The plugs and receptacles are color-coded.

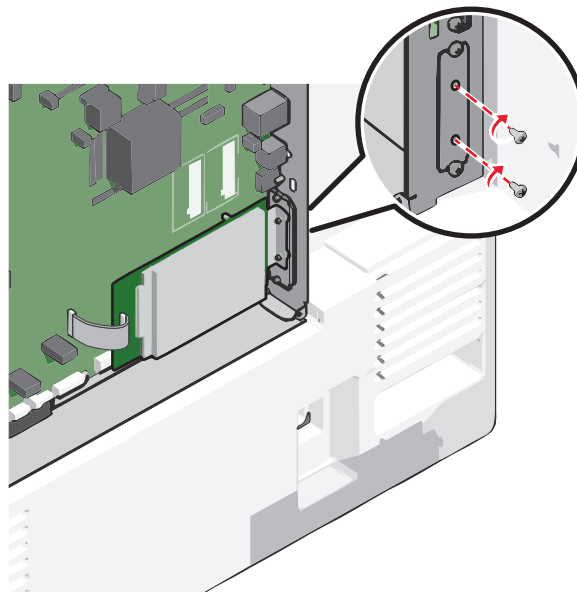


To install a printer hard disk directly on the system board:

- a Align the standoffs of the printer hard disk to the holes in the system board, and then press down on the printer hard disk until the standoffs are in place.

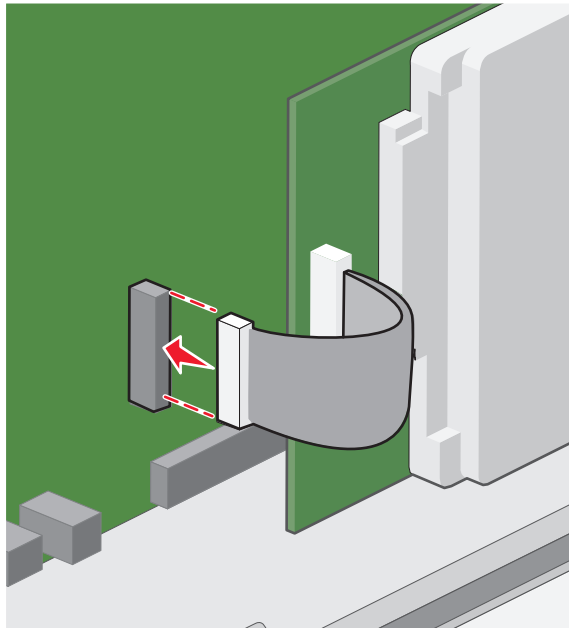


- b Use the two provided screws to attach the printer hard disk mounting bracket.



- c Insert the plug of the printer hard disk interface cable into the receptacle of the system board.

Note: The plugs and receptacles are color-coded.



4 Reattach the system board cover.

Removing a printer hard disk

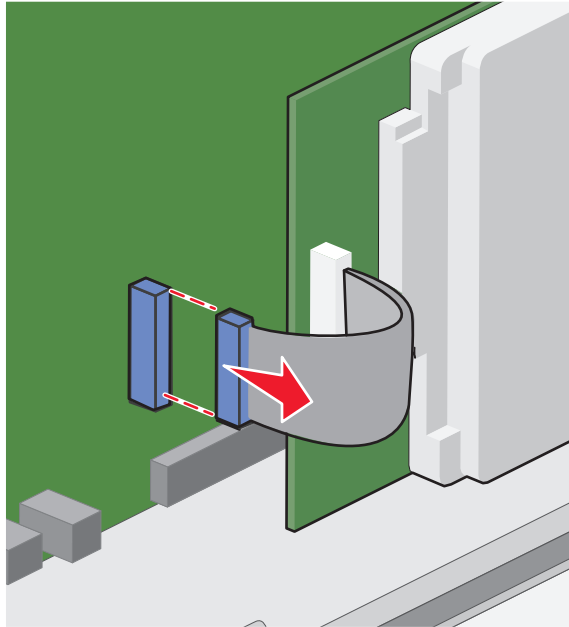
Note: This task requires a flathead screwdriver.

Warning—Potential Damage: System board electronic components are easily damaged by static electricity. Touch something metal on the printer before touching any system board electronic components or connectors.

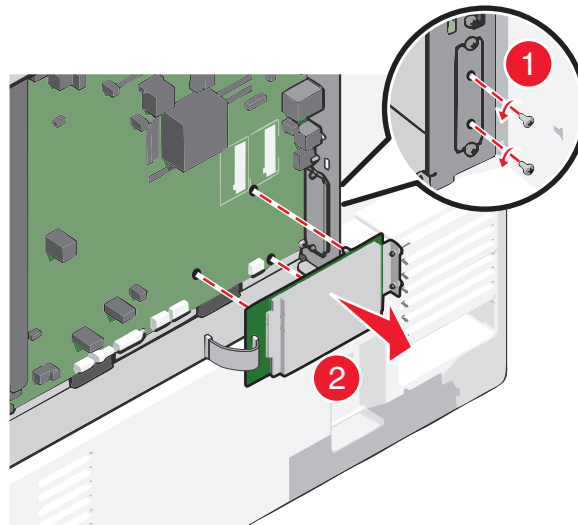
- 1 Access the system board.

For more information, see [“Accessing the system board” on page 22](#).

- 2 Unplug the printer hard disk interface cable from the system board, leaving the cable attached to the printer hard disk. To unplug the cable, squeeze the paddle at the plug of the interface cable to disengage the latch before pulling the cable out.






- 3 Remove the screws while holding the printer hard disk in place, and then remove the printer hard disk.



- 4 Set the printer hard disk aside.
- 5 Reattach the system board cover.

Order of installation

-  **CAUTION—POTENTIAL INJURY:** The printer weight is greater than 18 kg (40 lb) and requires two or more trained personnel to lift it safely.
-  **CAUTION—TIPPING HAZARD:** Floor-mounted configurations require additional furniture for stability. You must use either a printer stand or printer base if you are using a high-capacity input tray, a duplex unit and an input option, or more than one input option. If you purchased a multifunction printer (MFP) that scans, copies, and faxes, you may need additional furniture. For more information, see www.lexmark.com/multifunctionprinters.
-  **CAUTION—SHOCK HAZARD:** If you are accessing the system board or installing optional hardware or memory devices sometime after setting up the printer, then turn the printer off, and unplug the power cord from the wall outlet before continuing. If you have any other devices attached to the printer, then turn them off as well, and unplug any cables going into the printer.




Install the printer and any options you have purchased in the following order:

- Caster base
- Optional spacer
- Optional 550-sheet trays or 2,000-sheet high-capacity feeder
- Standard 550-sheet trays
- Printer

For information on installing a caster base, a 550- or 2,000-sheet optional tray, spacer, or any of the finishers, see the setup documentation that came with the option.

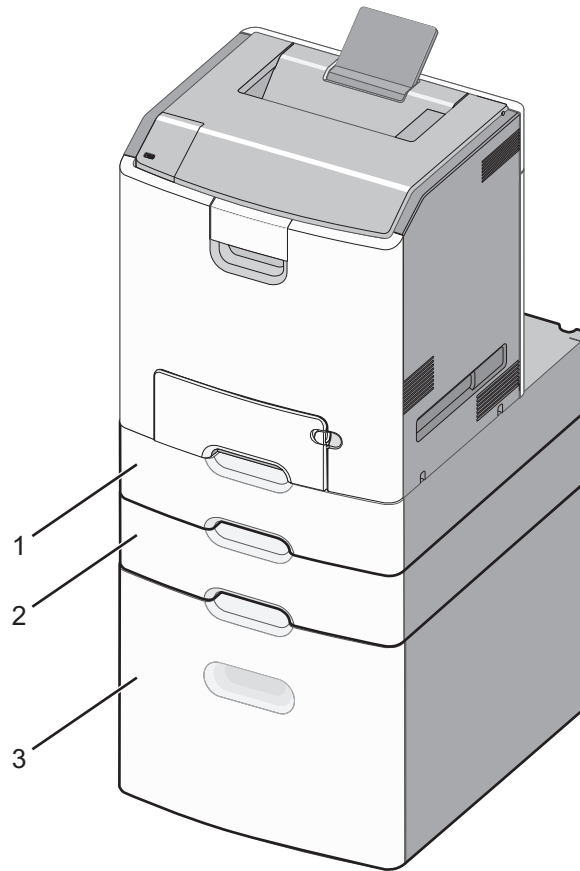
Installing optional trays

The printer supports the following optional input sources:

- 550-sheet tray
 - 2,000-sheet high-capacity feeder
-  **CAUTION—POTENTIAL INJURY:** The printer weight is greater than 18 kg (40 lb) and requires two or more trained personnel to lift it safely.
 -  **CAUTION—SHOCK HAZARD:** If you are accessing the system board or installing optional hardware or memory devices sometime after setting up the printer, then turn the printer off, and unplug the power cord from the wall outlet before continuing. If you have any other devices attached to the printer, then turn them off as well, and unplug any cables going into the printer.
 -  **CAUTION—TIPPING HAZARD:** Floor-mounted configurations require additional furniture for stability. You must use either a printer stand or printer base if you are using a high-capacity input tray, a duplex unit and an input option, or more than one input option. If you purchased a multifunction printer (MFP) that scans, copies, and faxes, then you may need additional furniture. For more information, see www.lexmark.com/multifunctionprinters.

- 1 Unpack the optional tray, and then remove all packing material.
- 2 Place the tray near the printer.
- 3 Turn the printer off.
- 4 Align the printer with the tray, and then lower the printer into place.

Note: Optional trays lock together when stacked. When necessary, remove stacked trays one at a time from the top down.



1	Standard 550-sheet tray (Tray 1)
2	Optional 550-sheet trays

5 Turn the printer back on.

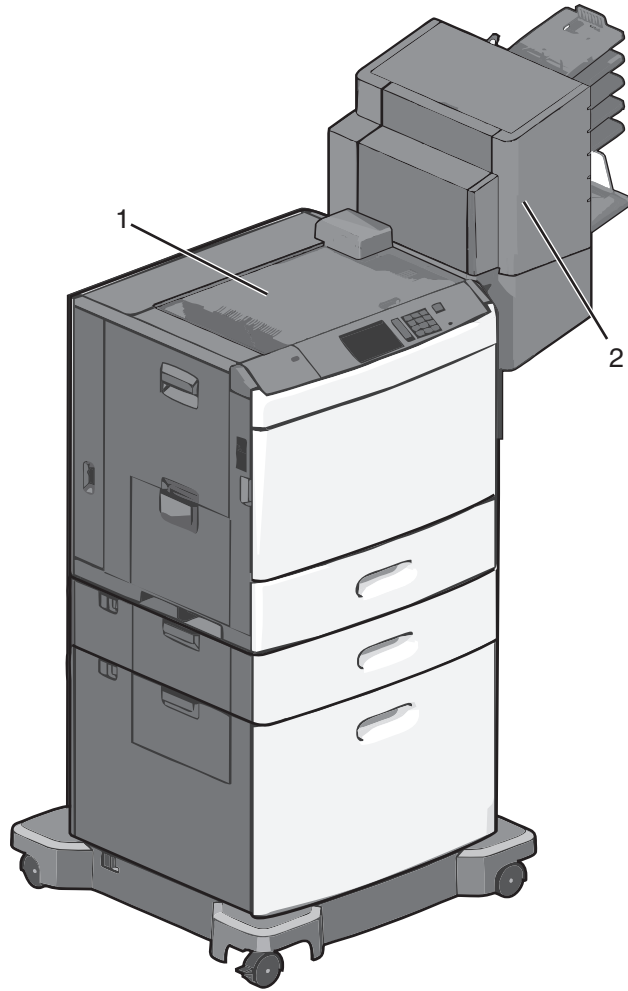
6 Set the printer software to recognize the optional input source.

For more information, see [“Adding available options in the print driver” on page 44](#).

Supported finishing features

The printer supports the following finishing features:

- 500-Sheet Offset Stacker
- 500-Sheet Staple Finisher
- 500-Sheet Staple, Hole Punch Finisher
- 5-bin mailbox



1	Standard bin
2	Finisher bin

Standard bin

- The paper capacity is 500 sheets.
- Finishing options are not supported in this bin.
- Envelopes are routed here.


Finisher bin

- The paper capacity is 500 sheets.
- Envelopes, A5, A6 and statement paper sizes are not supported in this bin.

Paper size	Two-hole punch	Three- or four-hole punch	5-bin mailbox	500-Sheet Staple Finisher
A4	✓	✓	✓	✓
A5	x	x	✓	x

Paper size	Two-hole punch	Three- or four-hole punch	5-bin mailbox	500-Sheet Staple Finisher
Executive	✓	✓	✓	✓
Folio	✓	X	✓	✓
JIS B5	✓	✓	✓	✓
Legal	✓	✓	✓	✓
Letter	✓	✓	✓	✓
Statement	X	X	✓	✓
Universal	X	X	✓	✓
Envelopes (any size)	X	X	✓	X
Oficio	✓	✓	✓	✓

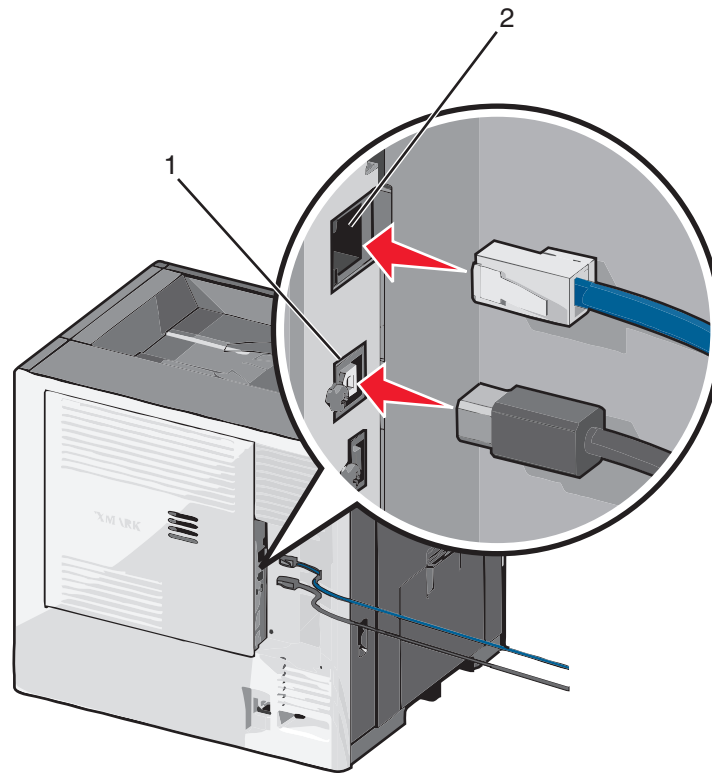
Attaching cables

 **CAUTION—SHOCK HAZARD:** Do not set up this product or make any electrical or cabling connections, such as a power cord, a fax feature, or USB cable, during a lightning storm.

Connect the printer to the computer using a USB cable or Ethernet cable.

Be sure to match the following:

- The USB symbol on the cable with the USB symbol on the printer
- The appropriate Ethernet cable to the Ethernet port



1	USB port Warning—Potential Damage: Do not touch the USB cable, any network adapter, or the printer in the area shown while actively printing. A loss of data or a malfunction can occur.
2	Ethernet port

Verifying printer setup

When all hardware and software options are installed and the printer is turned on, verify that the printer is set up correctly by printing the following:

- **Menu settings page**—Use this page to verify that all printer options are installed correctly. A list of installed options appears toward the bottom of the page. If an option you installed is not listed, then it is not installed correctly. Remove the option, and then install it again.
- **Network setup page**—If your printer has Ethernet or wireless capability and is attached to a network, then print a network setup page to verify the network connection. This page also provides important information that aids network printing configuration.

Printing a menu settings page

From the home screen, navigate to:

 > Reports > Menu Settings Page

Printing a network setup page

If the printer is attached to a network, then print a network setup page to verify the network connection. This page also provides important information that aids network printing configuration.

- 1 From the home screen, navigate to:

 > **Reports** > **Network Setup Page**

- 2 Check the first section of the network setup page, and confirm that the status is **Connected**.

If the status is **Not Connected**, then the LAN drop may not be active, or the network cable may be malfunctioning. Consult a system support person for a solution, and then print another network setup page.

Setting up the printer software

Installing the printer

- 1 Obtain a copy of the software installer package.
- 2 Run the installer, and then follow the instructions on the computer screen.
- 3 For Macintosh users, add the printer.

Note: Obtain the printer IP address from the TCP/IP section in the Network/Ports menu.

Adding available options in the print driver

For Windows users


- 1 Open the printers folder.

In Windows 8

From the Search charm, type **run**, and then navigate to:

Run > type **control printers** > **OK**

In Windows 7 or earlier

- a Click , or click **Start** and then click **Run**.
 - b Type **control printers**.
 - c Press **Enter**, or click **OK**.
- 2 Select the printer you want to update, and then do either of the following:
 - For Windows 7 or later, select **Printer properties**.
 - For earlier versions, select **Properties**.
 - 3 Navigate to the Configuration tab, and then select **Update Now - Ask Printer**.
 - 4 Apply the changes.

For Macintosh users

- 1 From System Preferences in the Apple menu, navigate to your printer, and then select **Options & Supplies**.
- 2 Navigate to the list of hardware options, and then add any installed options.
- 3 Apply the changes.

Setting up wireless printing

Note: A Service Set Identifier (SSID) is a name assigned to a wireless network. Wired Equivalent Privacy (WEP), Wi-Fi Protected Access (WPA), WPA2, and 802.1X - RADIUS are types of security used on a network.

Preparing to set up the printer on a wireless network

Notes:

- Make sure your access point (wireless router) is turned on and is working properly.
- Do not connect the installation or network cables until prompted to do so by the setup software.

Make sure you have the following information before setting up the printer on a wireless network:

- **SSID**—The SSID is also referred to as the network name.
- **Wireless Mode (or Network Mode)**—The mode is either infrastructure or ad hoc.
- **Channel (for ad hoc networks)**—The channel defaults to automatic for infrastructure networks.

Some ad hoc networks will also require the automatic setting. Check with your system support person if you are not sure which channel to select.

- **Security Method**—There are four basic options for Security Method:

- WEP key

If your network uses more than one WEP key, then enter up to four in the provided spaces. Select the key currently in use on the network by selecting the default WEP transmit key.

- WPA or WPA2 preshared key or passphrase

WPA includes encryption as an additional layer of security. The choices are AES or TKIP. Encryption must be set for the same type on the router and on the printer, or the printer will not be able to communicate on the network.

- 802.1X-RADIUS

If you are installing the printer on an 802.1X network, then you may need the following:

- Authentication type
- Inner authentication type
- 802.1X user name and password
- Certificates

- No security

If your wireless network does not use any type of security, then you will not have any security information.

Note: Using an unsecured wireless network is not recommended.

Notes:

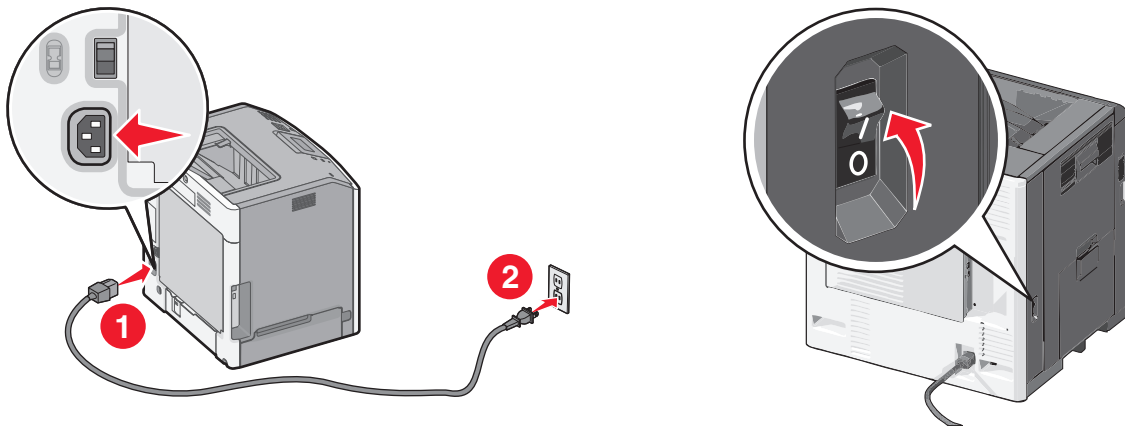
- If you do not know the SSID of the network that your computer is connected to, then launch the wireless utility of the computer network adapter, and then look for the network name. If you cannot find the SSID or the security information for your network, then see the documentation that came with the access point or contact your system support person.
- To find the WPA/WPA2 preshared key or passphrase for the wireless network, see the documentation that came with the access point, see the Embedded Web Server associated with the access point, or consult your system support person.

Installing the printer on a wireless network (Windows)

Before installing the printer on a wireless network, make sure:

- Your wireless network is set up and is working properly.
- The computer you are using is connected to the same wireless network where you want to set up the printer.

1 Connect the power cord to the printer, then to a properly grounded electrical outlet, and then turn on the printer.



Note: Make sure the printer and the computer are fully on and ready.

Warning—Potential Damage: Do not connect the USB cable until instructed to do so on the computer screen.



2 Obtain a copy of the software installer package.

- From the *Software and Documentation* CD that came with your printer.
- From our Web site:

Go to <http://support.lexmark.com>, and then navigate to:

SUPPORT & DOWNLOAD > select your printer > select your operating system

3 Double-click the software installer package.

Wait for the installation dialog to appear.


If you are using the *Software and Documentation CD* and the installation dialog does not appear, then do the following:

In Windows 8

From the Search charm, type **run**, and then navigate to:

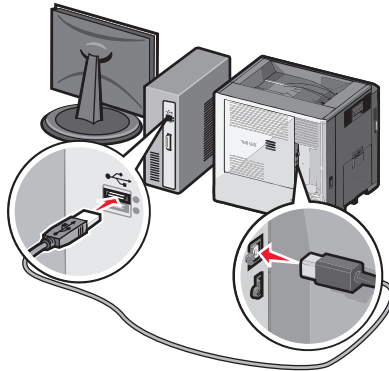
Apps list > **Run** > type **D:\setup.exe** > **OK**

In Windows 7 or earlier

- a Click  or click **Start**, and then click **Run**.
- b In the Start Search or Run dialog, type **D:\setup.exe**.
- c Press **Enter** or click **OK**.

Note: D is the letter of your CD or DVD drive.

- 4 Click **Install**, and then follow the instructions on the computer screen.
- 5 Select **Wireless connection** when asked to choose a connection type.
- 6 From the Wireless Configuration dialog, select **Guided Setup (Recommended)**.
Note: Choose **Advanced Setup** only if you want to customize your installation.
- 7 Temporarily connect a USB cable between the computer on the wireless network and the printer.



Note: After the printer is configured, the software will instruct you to disconnect the temporary USB cable so you can print wirelessly.

- 8 Follow the instructions on the computer screen.

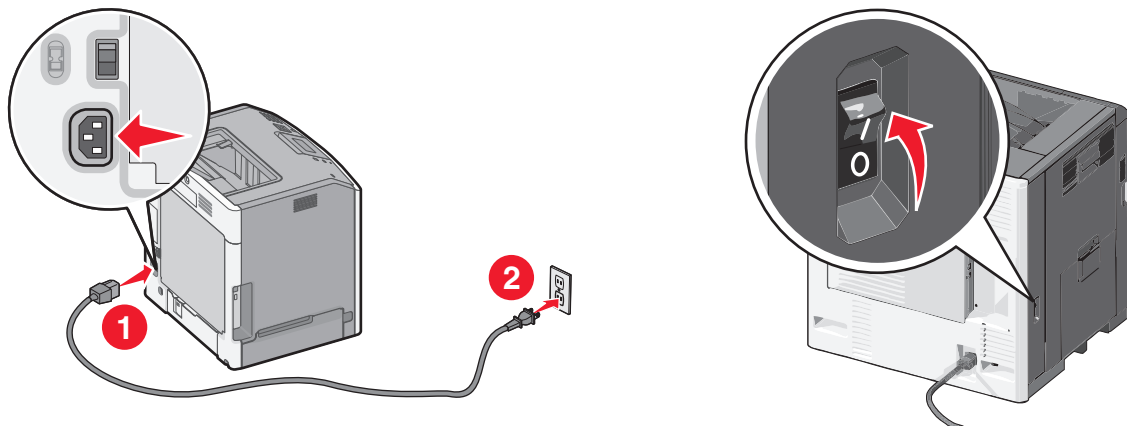
Note: For more information on allowing other computers on the network to use the wireless printer, see the *Networking Guide*.

Installing the printer on a wireless network (Macintosh)

Note: Make sure to disconnect the Ethernet cable when installing the printer on a wireless network.

Prepare to configure the printer

- 1 Connect the power cord to the printer, then to a properly grounded electrical outlet, and then turn on the printer.



2 Locate the printer MAC address.

a From the printer control panel, navigate to:



or



b In the Standard Network Card section, look for **UAA (MAC)**.

Note: You will need this information later.

Enter the printer information

1 Access the AirPort options:

In Mac OS X version 10.5 or later

From the Apple menu, navigate to either of the following:

- **System Preferences > Network > Wi-Fi**
- **System Preferences > Network > AirPort**

In Mac OS X version 10.4

From the Finder, navigate to:

Applications > Internet Connect > AirPort

2 From the Network Name pop-up menu, select **print server [yyyyyy]**, where the **y**'s are the last six digits of the MAC address located on the MAC address sheet.

3 Open a Web browser.

4 From the Bookmarks menu, select **Show** or **Show All Bookmarks**.

5 Under COLLECTIONS, select **Bonjour** or **Rendezvous**, and then double-click the printer name.

Note: The application referred to as *Rendezvous* in Mac OS X version 10.2 is now called *Bonjour* by Apple Inc.

6 From the Embedded Web Server, navigate to the location of the wireless settings information.

Configure the printer for wireless access

- 1 Type the network name (SSID) in the appropriate field.
- 2 Select **Infrastructure** as your Network Mode setting if you are using an access point (wireless router).
- 3 Select the type of security you want to use to protect the wireless network.
- 4 Enter the security information necessary for the printer to connect to the wireless network.
- 5 Click **Submit**.
- 6 Open the AirPort application on the computer:

In Mac OS X version 10.5 or later

From the Apple menu, navigate to either of the following:

- **System Preferences > Network > Wi-Fi**
- **System Preferences > Network > AirPort**

In Mac OS X version 10.4

From the Finder, navigate to:

Applications > Internet Connect > AirPort

- 7 From the Network pop-up menu, select the name of the wireless network.

Configure your computer to use the printer wirelessly

To print on a network printer, each Macintosh user must install a custom printer driver file and create a print queue in the Printer Setup Utility or Print Center.

- 1 Install a printer driver file on the computer:
 - a Obtain a copy of the software installer package.
 - From the *Software and Documentation* CD that came with your printer.
 - From our Web site:
Go to <http://support.lexmark.com>, and then navigate to:
SUPPORT & DOWNLOAD > select your printer > select your operating system
 - b Double-click the installer package for the printer.
 - c Follow the instructions on the computer screen.
 - d Select a destination, and then click **Continue**.
 - e From the Easy Install screen, click **Install**.
 - f Type the user password, and then click **OK**.
All necessary applications are installed in the computer.
 - g Click **Close** when the installation is complete.
- 2 Add the printer:
 - a For IP printing:

In Mac OS X version 10.5 or later

- 1 From the Apple menu, navigate to either of the following:
 - **System Preferences > Print & Scan**
 - **System Preferences > Print & Fax**

- 2 Click **+**.
- 3 If necessary, click **Add Printer or Scanner** or **Add Other Printer or Scanner**.
- 4 Click the **IP** tab.
- 5 Type the IP address of the printer in the address field, and then click **Add**.

In Mac OS X version 10.4

- 1 From the Finder, navigate to:
Applications > Utilities
- 2 Double-click **Printer Setup Utility** or **Print Center**.
- 3 From the Printer List, choose **Add**, and then click **IP Printer**.
- 4 Type the IP address of the printer in the address field, and then click **Add**.

b For AppleTalk printing:

Notes:

- Make sure AppleTalk is activated on your printer.
- This feature is supported only in Mac OS X version 10.5 or earlier.

In Mac OS X version 10.5

- 1 From the Apple menu, navigate to:
System Preferences > Print & Fax
- 2 Click **+**, and then navigate to:
AppleTalk > select the printer from the list > Add

In Mac OS X version 10.4

- 1 From the Finder, navigate to:
Applications > Utilities
- 2 Double-click **Printer Setup Utility** or **Print Center**.
- 3 From the Printer List, click **Add**.
- 4 Click **Default Browser** tab > **More Printers**.
- 5 From the first pop-up menu, select **AppleTalk**.
- 6 From the second pop-up menu, select **Local AppleTalk Zone**.
- 7 Select the printer from the list, and then click **Add**.

Changing port settings after installing a new network ISP

Notes:

- If the printer has a static IP address, then you do not need to make any changes.
- If the computers are configured to use the network name, instead of an IP address, then you do not need to make any changes.
- If you are adding a wireless ISP to a printer previously configured for an Ethernet connection, then make sure the printer is disconnected from the Ethernet network.

For Windows users

- 1 Open the printers folder.
- 2 From the shortcut menu of the printer with the new ISP, open the printer properties.

- 3 Configure the port from the list.
- 4 Update the IP address.
- 5 Apply the changes.

For Macintosh users

- 1 From System Preferences in the Apple menu, navigate to the list of printers, and then select **+ > IP**.
- 2 Type the IP address in the address field.
- 3 Apply the changes.

Setting up serial printing (Windows only)

After installing the serial or communication (COM) port, configure the printer and the computer.

Note: Serial printing reduces print speed.

- 1 Set the parameters in the printer.
 - a From the control panel, navigate to the menu for the port settings.
 - b Locate the menu for the serial port settings, and then adjust the settings, if necessary.
 - c Save the settings.
- 2 From your computer, open the printers folder, and then select your printer.
- 3 Open the printer properties, and then select the COM port from the list.
- 4 Set the COM port parameters in Device Manager.

Use the Run dialog box to open the command prompt, and then type `devmgmt.msc`.

Minimizing your printer's environmental impact

Lexmark is committed to environmental sustainability and is continually improving its printers to reduce their impact on the environment. We design with the environment in mind, engineer our packaging to reduce materials, and provide collection and recycling programs. For more information, see:

- The Notices chapter
- The Environmental Sustainability section of the Lexmark Web site at www.lexmark.com/environment
- The Lexmark recycling program at www.lexmark.com/recycle

By selecting certain printer settings or tasks, you may be able to reduce your printer's impact even further. This chapter outlines the settings and tasks that may yield a greater environmental benefit.

Saving paper and toner

Studies show that as much as 80% of the carbon footprint of a printer is related to paper usage. You can significantly reduce your carbon footprint by using recycled paper and the following printing suggestions, such as printing on both sides of the paper and printing multiple pages on one side of a single sheet of paper.

Using recycled paper

As an environmentally conscious company, Lexmark supports the use of recycled office paper produced specifically for use in laser printers. For more information on recycled papers that work well with your printer, see [“Using recycled paper and other office papers” on page 70](#).

Conserving supplies

Use both sides of the paper

If your printer model supports two-sided printing, then you can control whether print appears on one or two sides of the paper.

Notes:

- Two-sided printing is the default setting in the print driver.
- For a complete list of supported products and countries, go to <http://support.lexmark.com>.

Place multiple pages on one sheet of paper

You can print up to 16 consecutive pages of a multiple-page document onto one side of a single sheet of paper by setting multiple page printing (N-Up) for the print job.

Check your first draft for accuracy

Before printing or making multiple copies of a document:

- Use the preview feature to see how the document looks like before you print it.
- Print one copy of the document to check its content and format for accuracy.

Avoid paper jams

Correctly set the paper type and size to avoid paper jams. For more information, see [“Avoiding jams” on page 151](#).

Saving energy

Using Hibernate mode

Hibernate is an ultra-low-power saving mode.

Notes:

- Three days is the default amount of time before the printer enters Hibernate mode.
- Make sure to wake the printer from Hibernate mode before sending a print job. A hard reset or a long press of the Sleep button wakes the printer from Hibernate mode.
- If the printer is in Hibernate mode, then the Embedded Web Server is disabled.

1 From the home screen, navigate to:

 > **Settings** > **General Settings**

2 Touch **Press Sleep Button** or **Press and Hold Sleep Button**.

3 Touch **Hibernate** > .

Using Eco-Mode

1 Open a Web browser, and then type the printer IP address in the address field.

Notes:

- View the printer IP address on the printer home screen. The IP address appears as four sets of numbers separated by periods, such as 123.123.123.123.
- If you are using a proxy server, then temporarily disable it to load the Web page correctly.

2 Click **Settings** > **General Settings** > **Eco-Mode** > select a setting

Use	To
Off	Use the factory default settings for all settings associated with Eco-Mode. Off supports the performance specifications of the printer.
Energy	Reduce energy use, especially when the printer is idle. <ul style="list-style-type: none"> • Printer engine motors do not start until it is ready to print. You may notice a short delay before the first page is printed. • The printer enters Sleep mode after one minute of inactivity.
Energy/Paper	Use all the settings associated with Energy and Paper modes.
Plain Paper	<ul style="list-style-type: none"> • Enable the automatic two-sided (duplex) feature. • Turn off print log features.

3 Click **Submit**.

Reducing printer noise

Enable Quiet Mode to reduce printer noise.

- 1 Open a Web browser, and then type the printer IP address in the address field.

Notes:

- View the printer IP address on the printer home screen. The IP address appears as four sets of numbers separated by periods, such as 123.123.123.123.
- If you are using a proxy server, then temporarily disable it to load the Web page correctly.

- 2 Click **Settings > General Settings > Quiet Mode > select a setting**

Use	To
On	Reduce printer noise. Notes: <ul style="list-style-type: none"> • Print jobs are processed at a reduced speed. • Printer engine motors do not start until a document is ready to print. There will be a short delay before the first page is printed.
Off	Use factory default settings. Note: This setting supports the performance specifications of the printer.

- 3 Click **Submit**.

Adjusting Sleep mode

- 1 From the home screen, navigate to:

 > **Settings > General Settings > Timeouts > Sleep Mode**

- 2 In the Sleep Mode field, select the number of minutes the printer is idle before it enters Sleep mode.
- 3 Apply the changes.

Adjusting the brightness of the printer display

To save energy, or if you have trouble reading the display, adjust its brightness settings.

Using the Embedded Web Server

- 1 Open a Web browser, and then type the printer IP address in the address field.

Notes:

- View the printer IP address in the TCP/IP section in the Network/Ports menu. The IP address appears as four sets of numbers separated by periods, such as 123.123.123.123.
- If you are using a proxy server, then temporarily disable it to load the Web page correctly.

- 2 Click **Settings > General Settings**.

- 3 In the Screen Brightness field, enter the brightness percentage you want for the display.
- 4 Click **Submit**.

Recycling

Lexmark provides collection programs and environmentally progressive approaches to recycling. For more information, see:

- The Notices chapter
- The Environmental Sustainability section of the Lexmark Web site at www.lexmark.com/environment
- The Lexmark recycling program at www.lexmark.com/recycle

Recycling Lexmark products

To return Lexmark products for recycling:

- 1 Go to www.lexmark.com/recycle.
- 2 Find the product type you want to recycle, and then select your country or region from the list.
- 3 Follow the instructions on the computer screen.

Note: Printer supplies and hardware not listed in the Lexmark collection program may be recycled through your local recycling center. Contact your local recycling center to determine the items they accept.

Recycling Lexmark packaging

Lexmark continually strives to minimize packaging. Less packaging helps to ensure that Lexmark printers are transported in the most efficient and environmentally sensitive manner and that there is less packaging to dispose of. These efficiencies result in fewer greenhouse emissions, energy savings, and natural resource savings.

Lexmark cartons are 100% recyclable where corrugated recycling facilities exist. Facilities may not exist in your area.

The foam used in Lexmark packaging is recyclable where foam recycling facilities exist. Facilities may not exist in your area.

When you return a cartridge to Lexmark, you can reuse the box that the cartridge came in. Lexmark will recycle the box.

Returning Lexmark cartridges for reuse or recycling

Lexmark Cartridge Collection Program diverts millions of Lexmark cartridges from landfills annually by making it both easy and free for Lexmark customers to return used cartridges to Lexmark for reuse or recycling. One hundred percent of the empty cartridges returned to Lexmark are either reused or demanufactured for recycling. Boxes used to return the cartridges are also recycled.

To return Lexmark cartridges for reuse or recycling, follow the instructions that came with your printer or cartridge and use the prepaid shipping label. You can also do the following:

- 1 Go to www.lexmark.com/recycle.
- 2 From the Toner Cartridges section, select your country or region.

- 3** Follow the instructions on the computer screen.


Loading paper and specialty media

The selection and handling of paper and specialty media can affect how reliably documents print. For more information, see [“Avoiding jams” on page 151](#) and [“Storing paper” on page 70](#).

Setting the paper size and type

The Paper Size setting is automatically sensed according to the position of the paper guides in each tray except the multipurpose feeder. The Paper Size setting for the multipurpose feeder must be set manually from the Paper Size menu. The Paper Type setting must be set manually for all trays that do not contain plain paper.

From the home screen navigate to:

 > **Paper Menu** > **Paper Size/Type** > select a tray > select the paper size or type > 

The factory default Paper Type setting is Plain Paper.

Configuring Universal paper settings



The Universal Paper Size is a user-defined setting that lets you print on paper sizes that are not preset in the printer menus. Set the Paper Size for the specified tray to Universal when the size you want is not available from the Paper Size menu. Then, specify all of the following Universal size settings for your paper:

- Units of Measure
- Portrait Width
- Portrait Height

Notes:

- The largest supported Universal size is 216 x 1219 mm (8.5 x 48 in.).
- The smallest supported Universal size is 76 x 127 mm (3 x 5 in.) and loaded in the multipurpose feeder only.

From the home screen, navigate to:

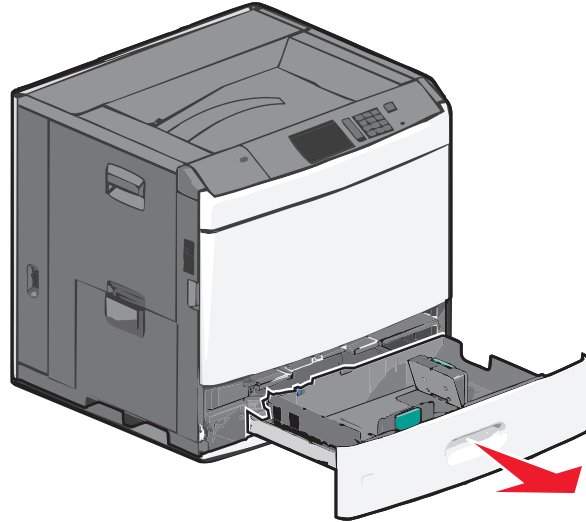
 > **Paper Menu** > **Universal Setup** > **Units of Measure** > select unit of measure > **Portrait Width** or **Portrait Height** > select width or height > 

Loading the standard or optional 550-sheet tray

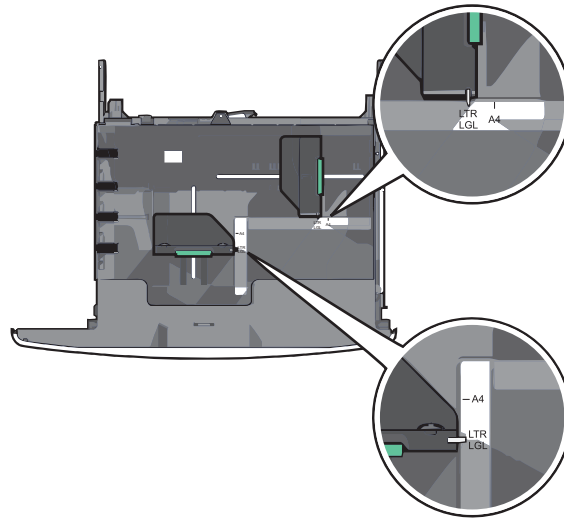
The printer has one standard 550-sheet tray (Tray 1), and may have one or more optional 550-sheet trays. All 550-sheet trays support the same paper sizes and types.

CAUTION—POTENTIAL INJURY: To reduce the risk of equipment instability, load each paper drawer or tray separately. Keep all other drawers or trays closed until needed.

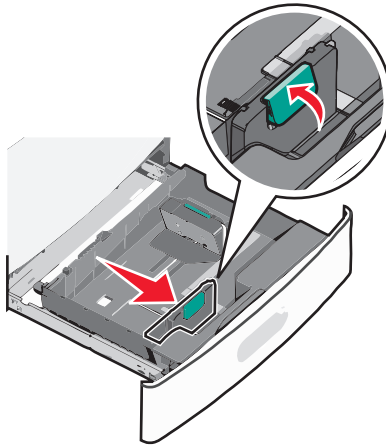
- 1 Pull the tray out.



Notice the size indicators on the bottom of the tray. Use these indicators to help position the length and width guides.

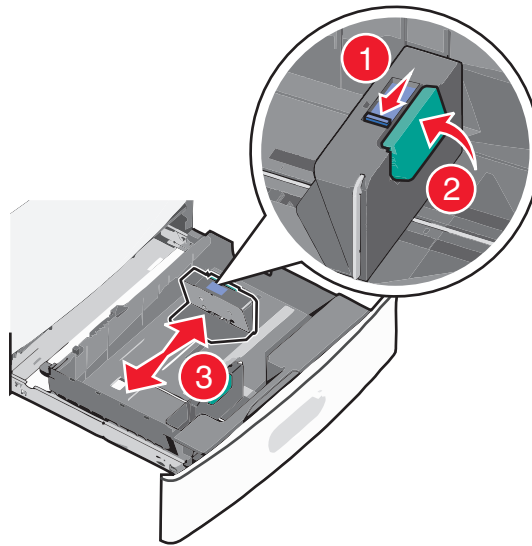


- 2 Squeeze and then slide the width guide to the correct position for the paper size you are loading.

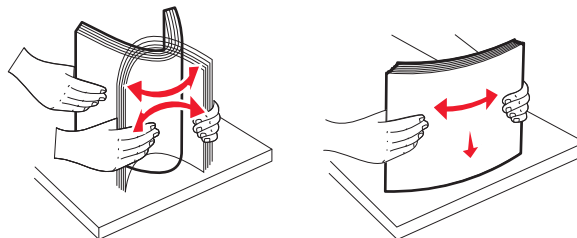


- 3 Squeeze and then slide the length guide to the correct position for the paper size you are loading.

Note: The length guide has a locking device. To unlock, push the button on top of the length guide backward. To lock, push the button forward when a length has been selected.



- 4 Flex the sheets back and forth to loosen them. Do not fold or crease the paper. Straighten the edges on a level surface.

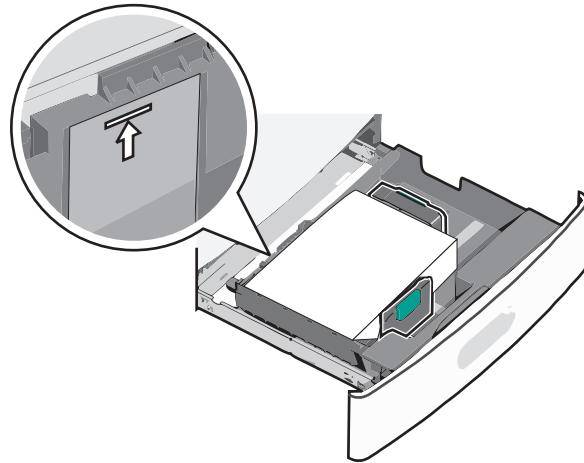


- 5 Load the paper stack with the recommended print side faceup.

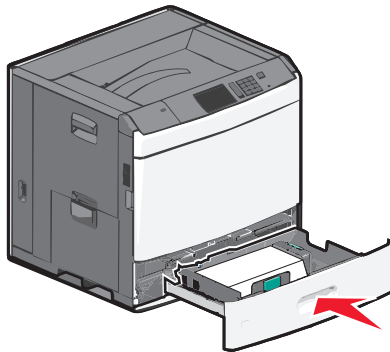
Notes:

- Place the print side facedown for duplex printing.

- Place pre-punched paper with the holes toward the front of the tray.
- Place letterheads faceup with the header on the left side of the tray.
- Place letterheads facedown with the header on the right side of the tray for duplex printing.
- Make sure the paper is below the maximum fill line located on the edge of the paper tray. Overloading the tray can cause paper jams and possible printer damage.



6 Insert the tray.



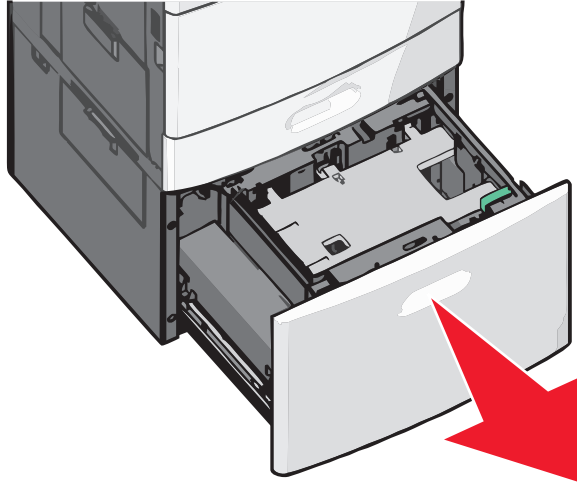
7 From the printer control panel, verify the Paper Size and Paper Type for the tray based on the paper you loaded.

Loading the 2000-sheet high-capacity feeder

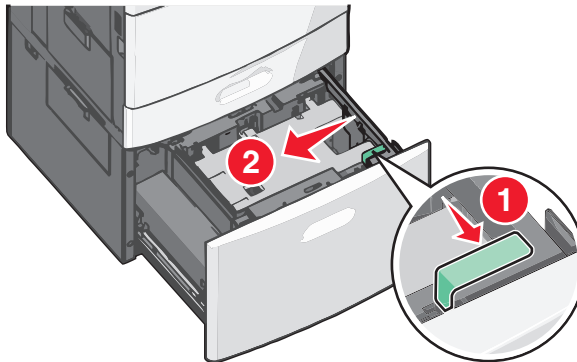
The high-capacity feeder can hold up to 2,000 sheets of A4-, letter-, or legal-size paper (80 g/m² or 20 lb).

⚠ CAUTION—POTENTIAL INJURY: To reduce the risk of equipment instability, load each paper drawer or tray separately. Keep all other drawers or trays closed until needed.

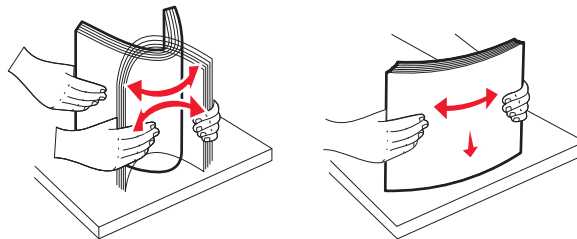
- 1 Pull the tray out.

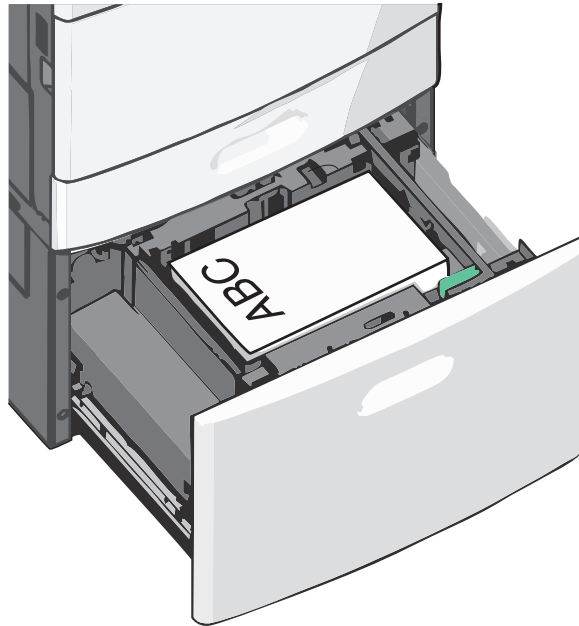


- 2 Adjust the width guide as necessary.

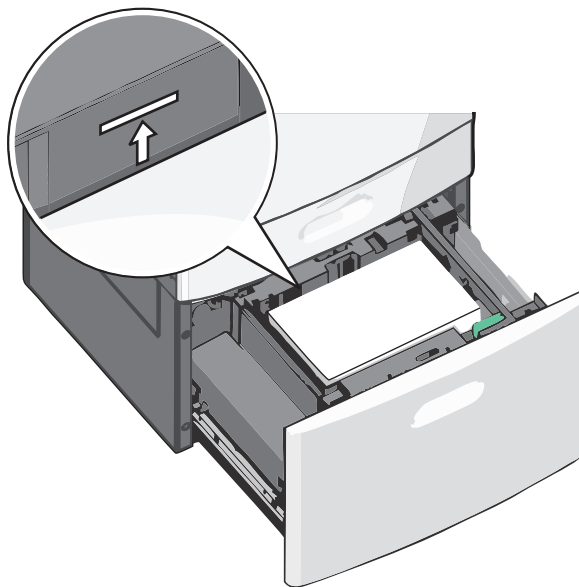


- 3 Flex the sheets back and forth to loosen them. Do not fold or crease the paper. Straighten the edges on a level surface.



4 Load paper into the tray with the print side faceup.

Note: Make sure the paper is below the maximum fill line located on the edge of the paper tray. Overloading the tray can cause paper jams.

**Notes:**

- Place pre-punched paper with the holes toward the front of the tray.
- Place letterheads faceup with the header on the left side of the tray.
- Place letterheads facedown with the header on the right side of the tray for duplex printing.

5 Insert the tray.

Loading the multipurpose feeder

The multipurpose feeder can hold several sizes and types of print media, such as transparencies, labels, card stock, and envelopes. It can be used for single-page or manual printing, or as an additional tray.

The multipurpose feeder can hold approximately:

- 100 sheets of 75-g/m² (20-lb) paper
- 10 envelopes
- 75 transparencies

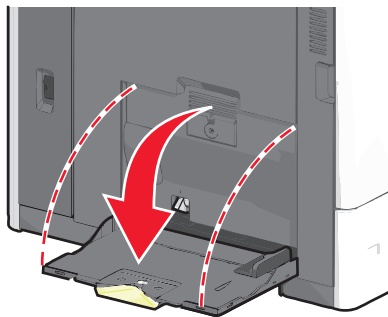
The multipurpose feeder accepts paper or specialty media within the following dimensions:

- Width—89 mm (3.5 in.) to 229 mm (9.02 in.)
- Length—127 mm (5 in.) to 1270 mm (50 in.)

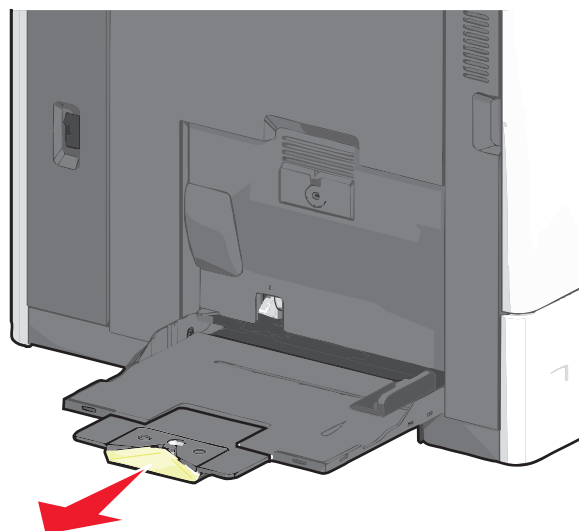
Note: Maximum width and length can be applied only to short-edge feeding.

Note: Do not add or remove paper or specialty media when the printer is printing from the multipurpose feeder or when the printer control panel indicator light is blinking. Doing so may cause a jam.

- 1 Pull down the multipurpose feeder door.

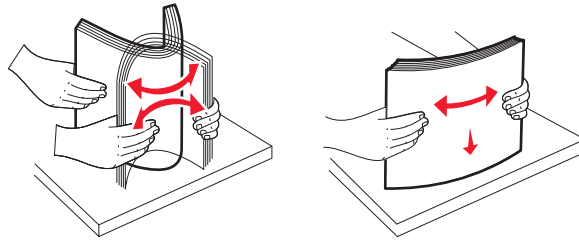


- 2 For paper or specialty media that is longer than letter-size paper, gently pull the extension until it is fully extended.

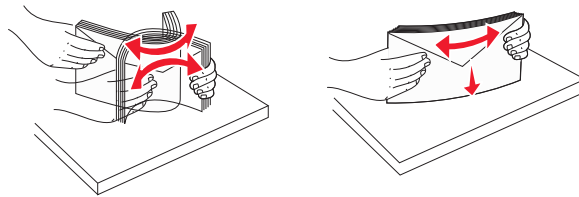


- 3 Flex the sheets of paper or specialty media back and forth to loosen them. Do not fold or crease them. Straighten the edges on a level surface.

Paper

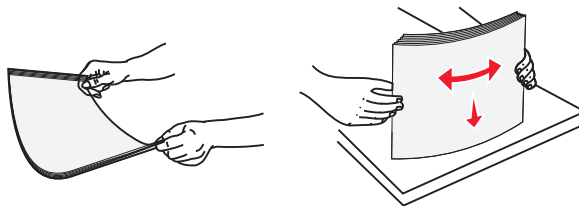


Envelopes

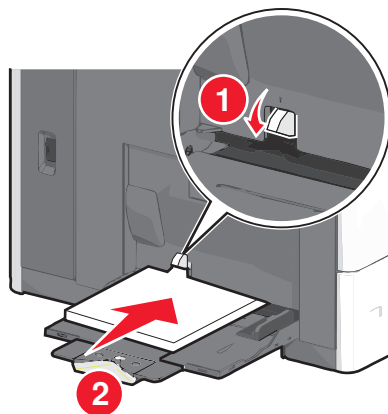


Transparencies

Note: Avoid scratching or touching the print side.



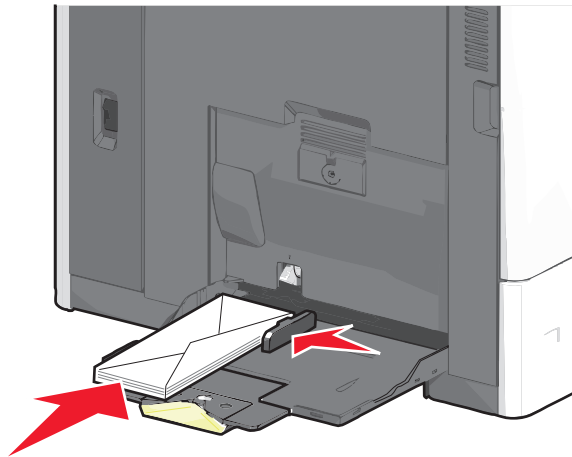
- 4** Push the paper pick tab, and then load the paper or specialty media. Slide the stack gently into the multipurpose feeder until it comes to a stop, and then release the paper pick tab.



Warning—Potential Damage: Pulling the paper out, without pushing the paper pick tab first, may cause jams or the paper pick tab to break.

- Load paper and transparencies with the recommended print side facedown and the short edge entering the printer first.
- For duplex letterhead printing, place the letterhead faceup and the header entering the printer last.

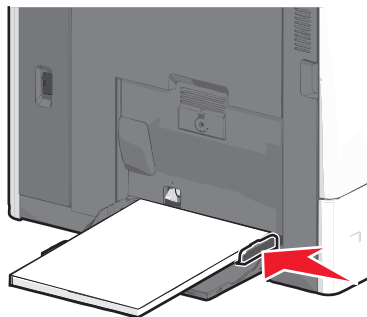
- Load envelopes with the flap side up and to the right.



Warning—Potential Damage: Never use envelopes with stamps, clasps, snaps, windows, coated linings, or self-stick adhesives. These envelopes may severely damage the printer.

Notes:

- Do not exceed the maximum stack height by forcing paper or transparencies under the stack height limiter.
 - Load only one size and type of paper at a time.
- 5** Adjust the width guide to lightly touch the edge of the stack. Make sure the paper or specialty media fits loosely in the multipurpose feeder, lies flat, and is not bent or wrinkled.



- 6** From the printer control panel, set the Paper Size and Paper Type for the multipurpose feeder (MP Feeder Size and MP Feeder Type) based on the paper or specialty media loaded.

Linking and unlinking trays

The printer links trays when the specified paper size and type are the same. When a linked tray becomes empty, paper feeds from the next linked tray. To prevent trays from linking, assign a unique custom paper type name.

Linking and unlinking trays

- 1** Open a Web browser, and then type the printer IP address in the address field.

Notes:

- View the printer IP address on the printer home screen. The IP address appears as four sets of numbers separated by periods, such as 123.123.123.123.
- If you are using a proxy server, then temporarily disable it to load the Web page correctly.

2 Click **Settings > Paper Menu**.

3 Change the paper size and type settings for the trays you are linking.

- To link trays, make sure the paper size and type for the tray match that of the other tray.
- To unlink trays, make sure the paper size or type for the tray does *not* match that of the other tray.

4 Click **Submit**.

Note: You can also change the paper size and type settings using the printer control panel. For more information, see [“Setting the paper size and type” on page 57](#).

Warning—Potential Damage: Paper loaded in the tray should match the paper type name assigned in the printer. The temperature of the fuser varies according to the specified paper type. Printing issues may occur if settings are not properly configured.

Linking exit bins

Link exit bins to create a single output source. The printer automatically uses the next available bin as the output source.

The standard exit bin holds up to 550 sheets of 20-lb paper. If you need additional output capacity, you can purchase other optional exit bins.

Note: Not all exit bins support every paper size and type.


1 From the home screen, navigate to:

 > **Paper Menu > Bin Setup**

2 Touch the bin or bins you want to link, and then touch **Configure Bins > Link**.

Creating a custom name for a paper type

1 From the home screen, navigate to:

 > **Paper Menu > Custom Names**

2 Type a custom paper type name, and then apply the changes.

3 Touch **Custom Types**, and then verify if the new custom paper type name has replaced the custom name.

Assigning a custom paper type

Using the Embedded Web Server

Assign a custom paper type name to a tray when linking or unlinking trays.

1 Open a Web browser, and then type the printer IP address in the address field.

Notes:

- View the printer IP address on the printer home screen. The IP address appears as four sets of numbers separated by periods, such as 123.123.123.123.
- If you are using a proxy server, then temporarily disable it to load the Web page correctly.

2 Click **Settings > Paper Menu > Custom Types**.

3 Select a custom paper type name, and then select a paper type.

Note: Paper is the factory default paper type for all user-defined custom names.

4 Click **Submit**.

Using the printer control panel

1 From the home screen, navigate to:



> **Paper Menu > Custom Types**

2 Select a custom paper type name, and then select a paper type.

Note: Paper is the factory default paper type for all user-defined custom names.

3 Touch **Submit**.

Paper and specialty media guide

Paper guidelines

Paper characteristics

The following paper characteristics affect print quality and reliability. Consider these characteristics when evaluating new paper stock.

Weight

The printer can automatically feed paper weights from 60 to 176-g/m² (16 to 47-lb) bond grain long. Paper lighter than 60 g/m² (16 lb) might not be stiff enough to feed properly, causing jams. For best performance, use 75-g/m² (20-lb) bond grain long paper. For paper smaller than 182 x 257 mm (7 x 10 in.), we recommend 90-g/m² (24-lb) or heavier paper.

Note: Duplex is supported only for 75–176-g/m² (20–47-lb) bond paper.

Curl

Curl is the tendency for paper to curl at its edges. Excessive curl can cause paper feeding problems. Curl can occur after the paper passes through the printer, where it is exposed to high temperatures. Storing paper unwrapped in hot, humid, cold, or dry conditions, even in the trays, can contribute to paper curling prior to printing and can cause feeding problems.

Smoothness

Paper smoothness directly affects print quality. If paper is too rough, the toner cannot fuse to it properly. If paper is too smooth, it can cause paper feeding or print quality issues. Always use paper between 100 and 300 Sheffield points; however, smoothness between 150 and 200 Sheffield points produces the best print quality.

Moisture content

The amount of moisture in paper affects both print quality and the ability of the printer to feed the paper correctly. Leave paper in its original wrapper until it is time to use it. This limits the exposure of paper to moisture changes that can degrade its performance.

Condition paper before printing by storing it in its original wrapper in the same environment as the printer for 24 to 48 hours before printing. Extend the time several days if the storage or transportation environment is very different from the printer environment. Thick paper may also require a longer conditioning period.

Grain direction

Grain refers to the alignment of the paper fibers in a sheet of paper. Grain is either *grain long*, running the length of the paper, or *grain short*, running the width of the paper.

For 60–135-g/m² (16–36-lb) bond paper, grain long paper is recommended. For papers heavier than 135 g/m², grain short is recommended.

Fiber content

Most high-quality xerographic paper is made from 100% chemically treated pulped wood. This content provides the paper with a high degree of stability resulting in fewer paper feeding problems and better print quality. Paper containing fibers such as cotton can negatively affect paper handling.

Unacceptable paper

The following paper types are not recommended for use with the printer:

- Chemically treated papers used to make copies without carbon paper, also known as carbonless papers, carbonless copy paper (CCP), or no carbon required (NCR) paper
- Preprinted papers with chemicals that may contaminate the printer
- Preprinted papers that can be affected by the temperature in the printer fuser
- Preprinted papers that require a registration (the precise print location on the page) greater than ± 2.3 mm (± 0.9 in.), such as optical character recognition (OCR) forms

In some cases, registration can be adjusted with a software application to successfully print on these forms.

- Coated papers (erasable bond), synthetic papers, thermal papers
- Rough-edged, rough or heavily textured surface papers, or curled papers
- Recycled papers that fail EN12281:2002 (European)
- Paper weighing less than 60 g/m² (16 lb)
- Multiple-part forms or documents

Selecting paper

Using appropriate paper prevents jams and helps ensure trouble-free printing.

To help avoid jams and poor print quality:

- *Always* use new, undamaged paper.
- Before loading paper, know the recommended print side of the paper. This information is usually indicated on the paper package.
- *Do not* use paper that has been cut or trimmed by hand.
- *Do not* mix paper sizes, types, or weights in the same source; mixing results in jams.
- *Do not* use coated papers unless they are specifically designed for electrophotographic printing.

Selecting preprinted forms and letterhead

Use these guidelines when selecting preprinted forms and letterhead:

- Use grain long for 60 to 90 g/m² (16 to 24 lb) weight paper.
- Use only forms and letterhead printed using an offset lithographic or engraved printing process.
- Avoid papers with rough or heavily textured surfaces.

Use papers printed with heat-resistant inks designed for use in xerographic copiers. The ink must be able to withstand temperatures up to 190°C (374°F) without melting or releasing hazardous emissions. Use inks that are not affected by the resin in toner. Inks that are oxidation-set or oil-based generally meet these requirements; latex inks might not. When in doubt, contact the paper supplier.

Preprinted papers such as letterhead must be able to withstand temperatures up to 190°C (374°F) without melting or releasing hazardous emissions.

Using recycled paper and other office papers

As an environmentally conscious company, Lexmark supports the use of recycled office paper produced specifically for use in laser (electrophotographic) printers. In 1998, Lexmark presented to the US government a study demonstrating that recycled paper produced by major mills in the US fed as well as non-recycled paper. However, no blanket statement can be made that *all* recycled paper will feed well.

Lexmark consistently tests its printers with recycled paper (20–100% post-consumer waste) and a variety of test paper from around the world, using chamber tests for different temperature and humidity conditions. Lexmark has found no reason to discourage the use of today's recycled office papers, but generally the following property guidelines apply to recycled paper.

- Low moisture content (4–5%)
- Suitable smoothness (100–200 Sheffield units, or 140–350 Bendtsen units, European)

Note: Some much smoother papers (such as premium 24 lb laser papers, 50–90 Sheffield units) and much rougher papers (such as premium cotton papers, 200–300 Sheffield units) have been engineered to work very well in laser printers, despite surface texture. Before using these types of paper, consult your paper supplier.

- Suitable sheet-to-sheet coefficient of friction (0.4–0.6)
- Sufficient bending resistance in the direction of feed

Recycled paper, paper of lower weight (<60 g/m² [16 lb bond]) and/or lower caliper (<3.8 mils [0.1 mm]), and paper that is cut grain-short for portrait (or short-edge) fed printers may have lower bending resistance than is required for reliable paper feeding. Before using these types of paper for laser (electrophotographic) printing, consult your paper supplier. Remember that these are general guidelines only and that paper meeting these guidelines may still cause paper feeding problems in any laser printer (for example, if the paper curls excessively under normal printing conditions).

Storing paper

Use these paper storage guidelines to help avoid jams and uneven print quality:

- For best results, store paper where the temperature is 21°C (70°F) and the relative humidity is 40%. Most label manufacturers recommend printing in a temperature range of 18 to 24°C (65 to 75°F) with relative humidity between 40 and 60%.
- Store paper in cartons when possible, on a pallet or shelf, rather than on the floor.
- Store individual packages on a flat surface.
- Do not store anything on top of individual paper packages.

Supported paper sizes, types, and weights

The following tables provide information on standard and optional paper sources and the sizes, types, and weights of paper they support.

Note: For an unlisted paper size, select the closest *larger* listed size.

Supported paper sizes

Measurements apply to one-sided printing only. For two-sided printing, the minimum size is 139.7 x 210 mm (5.50 x 8.27 in.).

Paper size	Dimensions	Standard 550-sheet tray (Tray 1)	Optional 550-sheet tray	Optional 2,000-sheet tray	Multipurpose feeder	Duplexer
A4	210 x 297 mm (8.27 x 11.7 in.)	✓	✓	✓	✓	✓
A5	148 x 210 mm (5.83 x 8.27 in.)	✓	✓	X	✓	✓
A6	105 x 148 mm (4.13 x 5.83 in.)	X	X	X	✓	X
JIS B5	182 x 257 mm (7.17 x 10.1 in.)	✓	✓	X	✓	✓
Letter	215.9 x 279.4 mm (8.5 x 11 in.)	✓	✓	✓	✓	✓
Legal	215.9 x 355.6 mm (8.5 x 14 in.)	✓	✓	✓	✓	✓
Executive	184.2 x 266.7 mm (7.25 x 10.5 in.)	✓	✓	X	✓	✓
Oficio (México)	215.9 x 340.4 mm (8.5 x 13.4 in.)	✓	✓	X	✓	✓
Folio	215.9 x 330.2 mm (8.5 x 13 in.)	✓	✓	X	✓	✓
Statement	139.7 x 215.9 mm (5.5 x 8.5 in.)	✓	✓	X	✓	✓

¹ This formats the envelope size setting for 215.9 x 355.6 mm (8.5 x 14 in.) unless the size is specified by the application.

Paper size	Dimensions	Standard 550-sheet tray (Tray 1)	Optional 550-sheet tray	Optional 2,000-sheet tray	Multipurpose feeder	Duplexer
Universal Note: Turn off size sensing to support universal sizes that are close to standard media sizes.	76.2 x 76.2 mm (3 x 3 in.) to 215.9 x 355.6 mm (8.5 x 14 in.)	X	X	X	✓	X
	76.2 x 76.2 mm (3 x 3 in.) to 215.9 x 914.4 mm (8.5 x 36 in.)	X	X	X	✓	X
	76.2 x 76.2 mm (3 x 3 in.) to 215.9 x 1219.2 mm (8.5 x 48 in.)	X	X	X	✓	X
7 3/4 Envelope (Monarch)	98.4 x 190.5 mm (3.875 x 7.5 in.)	X	X	X	✓	X
9 Envelope	98.4 x 226.1 mm (3.875 x 8.9 in.)	X	X	X	✓	X
Com 10 Envelope	104.8 x 241.3 mm (4.12 x 9.5 in.)	X	X	X	✓	X
DL Envelope	110 x 220 mm (4.33 x 8.66 in.)	X	X	X	✓	X
C5 Envelope	162 x 229 mm (6.38 x 9.01 in.)	X	X	X	✓	X
B5 Envelope	176 x 250 mm (6.93 x 9.84 in.)	X	X	X	✓	X
Other Envelope ¹	85.7 x 165 mm to 215.9 x 355.6 mm (3.375 x 6.50 in. to 8.5 x 14 in.)	X	X	X	✓	X

¹ This formats the envelope size setting for 215.9 x 355.6 mm (8.5 x 14 in.) unless the size is specified by the application.

Supported paper types and weights

The printer supports 60–176 g/m² (16–47 lb) paper weights for one-sided printing. Two-sided printing is supported on 64–176 g/m² (17–47 lb) paper weights.

Note: Labels, transparencies, envelopes, and card stock always print at reduced speed.

Paper type	Standard 550-sheet tray (Tray 1)	Optional 550-sheet tray	Optional 2,000-sheet tray	Multipurpose feeder	Duplexer
Paper <ul style="list-style-type: none"> • Plain • Recycled • Glossy • Heavy Glossy • Bond • Letterhead • Preprinted • Colored • Light • Heavy • Rough/Cotton • Custom Type [x] 	✓	✓	✓	✓	✓
Card stock	✓	✓	x	✓	✓
Transparencies^{1, 2}	x	x	x	✓	x
Labels³ <ul style="list-style-type: none"> • Paper • Vinyl 	✓	✓	x	✓	✓
Envelopes⁴	x	x	x	✓	x
<p>¹ This media is supported only in the multipurpose feeder.</p> <p>² Do not use inkjet or 3M CG3710 transparencies.</p> <p>³ Paper labels are supported. Other media such as vinyl may show print quality defects in some environments, and prolonged vinyl label usage may reduce fuser life. For more information, see the <i>Card Stock & Label Guide</i> available on the Lexmark Web site at http://support.lexmark.com.</p> <p>⁴ Use envelopes that lie flat when individually placed facedown on a table.</p>					

Printing

Printing a document

Printing a document

- 1 From the printer control panel, set the paper type and size to match the paper loaded.
- 2 Send the print job:

For Windows users

- a With a document open, click **File > Print**.
- b Click **Properties, Preferences, Options, or Setup**.
- c Adjust the settings, if necessary.
- d Click **OK > Print**.

For Macintosh users


- a Customize the settings in the Page Setup dialog:
 - 1 With a document open, choose **File > Page Setup**.
 - 2 Choose a paper size or create a custom size to match the paper loaded.
 - 3 Click **OK**.
- b Customize the settings in the Print dialog:
 - 1 With a document open, choose **File > Print**.
If necessary, click the disclosure triangle to see more options.
 - 2 From the print options pop-up menus, adjust the settings, if necessary.
Note: To print on a specific paper type, adjust the paper type setting to match the paper loaded, or select the appropriate tray or feeder.
 - 3 Click **Print**.

Printing in black and white

From the home screen, navigate to:

 > **Settings > Print Settings > Quality Menu > Print Mode > Black Only** > 

Adjusting toner darkness

- 1 From the home screen, navigate to:
 > **Settings > Print Settings > Quality Menu**
- 2 Adjust the toner darkness setting, and then save the changes.

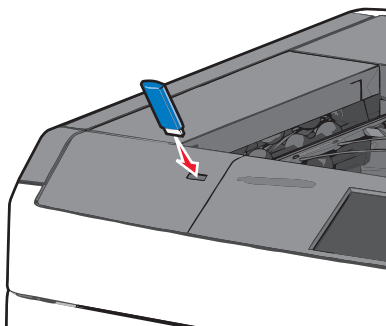
Printing from a flash drive or mobile device

Printing from a flash drive

Notes:

- Before printing an encrypted PDF file, enter the file password from the printer control panel.
- You cannot print files for which you do not have printing permissions.

1 Insert a flash drive into the USB port.



Notes:

- If you insert the flash drive when the printer requires attention, such as when a jam has occurred, then the printer ignores the flash drive.
- If you insert the flash drive while the printer is processing other print jobs, then **Busy** appears. After these print jobs are processed, you may need to view the held jobs list to print documents from the flash drive.

Warning—Potential Damage: Do not touch the USB cable, any network adapter, any connector, the memory device, or the printer in the areas shown while actively printing, reading, or writing from the memory device. A loss of data can occur.



2 From the printer control panel, touch the document you want to print.

3 Touch the arrows to increase the number of copies to print, and then touch **Print**.

Notes:

- Do not remove the flash drive from the USB port until the document has finished printing.
- If you leave the flash drive in the printer after leaving the initial USB menu screen, then you can still print files from the flash drive as held jobs.

Supported flash drives and file types

Flash drive	File type
<ul style="list-style-type: none"> • Lexar JumpDrive 2.0 Pro (256MB, 512MB, or 1GB sizes) • SanDisk Cruzer Mini (256MB, 512MB, or 1GB sizes) <p>Notes:</p> <ul style="list-style-type: none"> • Hi-Speed USB flash drives must support the Full-Speed standard. Devices supporting only USB low-speed capabilities are not supported. • USB flash drives must support the FAT (<i>File Allocation Tables</i>) system. Devices formatted with NTFS (<i>New Technology File System</i>) or any other file system are not supported. 	<p>Documents:</p> <ul style="list-style-type: none"> • .pdf • .xps <p>Images:</p> <ul style="list-style-type: none"> • .dcx • .gif • .JPEG • .jpg • .bmp • .pcx • .TIFF • .tif • .png

Printing from a mobile device

To download a compatible mobile printing application, visit www.lexmark.com/mobile.

Note: Mobile printing applications may also be available from your mobile device manufacturer.

Printing specialty documents

Tips on using letterhead

- Use letterhead designed specifically for laser printers.
- Print samples on the letterhead being considered for use before buying large quantities.
- Before loading letterhead, flex the sheets to prevent them from sticking together.
- Observe proper page orientation.

Source	Print side	Paper orientation
<ul style="list-style-type: none"> – Standard 550-sheet tray – Optional 550-sheet tray – Optional 2000-sheet high-capacity feeder 	Preprinted letterhead design is placed faceup.	The top edge of the sheet with the logo is placed at the left side of the tray.
Duplex (two-sided) printing from trays	Preprinted letterhead design is placed facedown.	The top edge of the sheet with the logo is placed at the right side of the tray.
Multipurpose feeder (simplex printing)	Preprinted letterhead design is placed facedown.	The top edge of the sheet with the logo should enter the multipurpose feeder first.
Multipurpose feeder (duplex printing)	Preprinted letterhead design is placed faceup.	The top edge of the sheet with the logo should enter the multipurpose feeder last.
<p>Note: Check with the manufacturer or vendor to determine whether the chosen preprinted letterhead is acceptable for laser printers.</p>		

Tips on using transparencies

- Print a test page on the transparencies being considered for use before buying large quantities.
- Feed transparencies from the multipurpose feeder only.
- From the Paper menu, set the MP Feeder Type to Transparency.
- Use transparencies designed specifically for laser printers. Transparencies must be able to withstand temperatures of 230°C (446°F) without melting, discoloring, offsetting, or releasing hazardous emissions.
- To prevent print quality problems, avoid getting fingerprints on the transparencies.
- Before loading transparencies, flex the stack to prevent sheets from sticking together.
- We recommend Lexmark transparencies. For ordering information, see the Lexmark Web site at www.lexmark.com.

Tips on using envelopes

Print samples on the envelopes being considered for use before buying large quantities.

- Use envelopes designed specifically for laser printers. Check with the manufacturer or vendor to ensure that the envelopes can withstand temperatures up to 220°C (446°F) without sealing, wrinkling, curling excessively, or releasing hazardous emissions.
- For best performance, use envelopes made from 90-g/m² (24-lb bond) paper or 25% cotton. All-cotton envelopes must not exceed 70-g/m² (20-lb bond) weight.
- Use only new envelopes from undamaged packages.
- To optimize performance and minimize jams, do not use envelopes that:
 - Have excessive curl or twist.
 - Are stuck together or damaged in any way.
 - Have windows, holes, perforations, cutouts, or embossing.
 - Have metal clasps, string ties, or folding bars.
 - Have an interlocking design.

- Have postage stamps attached.
- Have any exposed adhesive when the flap is in the sealed or closed position.
- Have bent corners.
- Have rough, cockle, or laid finishes.
- Adjust the width guides to fit the width of the envelopes.

Note: A combination of high humidity (over 60%) and high printing temperature may wrinkle or seal envelopes.

Tips on using labels

Note: Use paper label sheets for occasional use only. Vinyl, pharmacy, and dual-sided labels are not supported.

For detailed information on label printing, characteristics, and design, see the *Card Stock & Label Guide* available on the Lexmark Web site at <http://support.lexmark.com>.

When printing on labels:

- Use labels designed specifically for laser/LED printers. Check with the manufacturer or vendor to verify that:
 - The labels can withstand temperatures up to 210°C (410°F) without sealing, excessive curling, wrinkling, or releasing hazardous emissions.

Note: Labels can be printed at a higher fusing temperature up to 220°C (428°F) if Label Weight is set to Heavy. Select this setting using the Embedded Web Server, or from the printer control panel Paper menu.
 - Label adhesives, face sheet (printable stock), and topcoats can withstand up to 25 psi (172 kPa) pressure without delaminating, oozing around the edges, or releasing hazardous fumes.
- Do not use labels with slick backing material.
- Use full label sheets. Partial sheets may cause labels to peel off during printing, resulting in a jam. Partial sheets also contaminate the printer and the cartridge with adhesive, and could void the printer and cartridge warranties.
- Do not use labels with exposed adhesive.
- Do not print within 1 mm (0.04 in.) of the edge of the label, of the perforations, or between die-cuts of the label.
- Be sure adhesive backing does not reach to the sheet edge. Zone coating of the adhesive at least 1 mm (0.04 in.) away from edges is recommended. Adhesive material contaminates the printer and could void the warranty.
- If zone coating of the adhesive is not possible, remove a 1.6 mm (0.06 in.) strip on the leading and driver edge, and use a non-oozing adhesive.
- Portrait orientation works best, especially when printing bar codes.

Tips on using card stock

Card stock is heavy, single-ply specialty media. Many of its variable characteristics, such as moisture content, thickness, and texture, can significantly impact print quality. Print samples on the card stock being considered for use before buying large quantities.

- From the Paper menu, set the Paper Type to Card Stock.
- Select the appropriate Paper Texture setting.
- Be aware that preprinting, perforation, and creasing may significantly affect the print quality and cause jams or other paper handling problems.
- Check with the manufacturer or vendor to ensure the card stock can withstand temperatures up to 220°C (446°F) without releasing hazardous emissions.

- Do not use preprinted card stock manufactured with chemicals that may contaminate the printer. Preprinting introduces semi-liquid and volatile components into the printer.
- Use grain short card stock when possible.

Printing confidential and other held jobs

Storing print jobs in the printer

You can set the printer to store print jobs in the printer memory until you start the print job from the printer control panel.

All print jobs that can be initiated by the user at the printer are called *held jobs*.

Note: Confidential, Verify, Reserve, and Repeat print jobs may be deleted if the printer requires extra memory to process additional held jobs.

Print job type	Description
Confidential	Confidential lets you hold print jobs in the computer until you enter the PIN from the control panel. Note: The PIN is set from the computer. It must be four digits, using the numbers 0–9.
Verify	Verify lets you print one copy of a print job while the printer holds the remaining copies. It allows you to examine if the first copy is satisfactory. The print job is automatically deleted from the printer memory once all copies are printed.
Reserve	Reserve allows the printer to store print jobs for printing at a later time. The print jobs are held until deleted from the Help Jobs menu.
Repeat	Repeat prints <i>and</i> stores print jobs in the printer memory for reprinting.

Printing confidential and other held jobs

Note: Confidential and Verify print jobs are automatically deleted from memory after printing. Repeat and Reserve jobs are *held* in the printer until you delete them.

For Windows users

- 1 With a document open, click **File > Print**.
- 2 Click **Properties, Preferences, Options, or Setup**.
- 3 Click **Print and Hold**.
- 4 Select the print job type (Confidential, Repeat, Reserve, or Verify), and then assign a user name. For a confidential print job, also enter a four-digit PIN.
- 5 Click **OK** or **Print**.


- 6 From the printer home screen, release the print job.
 - For confidential print jobs, navigate to:
Held jobs > select your user name > **Confidential Jobs** > enter the PIN > **Print**
 - For other print jobs, navigate to:
Held jobs > select your user name > select the print job > specify the number of copies > **Print**

For Macintosh users

- 1 With a document open, choose **File** > **Print**.
If necessary, click the disclosure triangle to see more options.
- 2 From the print options or Copies & Pages pop-up menu, choose **Job Routing**.
- 3 Select the print job type (Confidential, Repeat, Reserve, or Verify), and then assign a user name. For a confidential print job, also enter a four-digit PIN.
- 4 Click **OK** or **Print**.
- 5 From the printer home screen, release the print job.
 - For confidential print jobs, navigate to:
Held jobs > select your user name > **Confidential Jobs** > enter the PIN > **Print**
 - For other print jobs, navigate to:
Held jobs > select your user name > select the print job > specify the number of copies > **Print**

Printing information pages


Printing a font sample list

- 1 From the home screen, navigate to:
 > **Reports** > **Print Fonts**
- 2 Touch **PCL Fonts** or **PostScript Fonts**.

Printing a directory list


A directory list shows the resources stored in a flash memory or on the printer hard disk.


From the home screen, navigate to:

-  > **Reports** > **Print Directory**

Canceling a print job

Canceling a print job from the printer control panel

- 1 From the printer control panel, touch **Cancel Job** or press  on the keypad.
- 2 Touch the print job you want to cancel, and then touch **Delete Selected Jobs**.

Note: If you press  on the keypad, then touch **Resume** to return to the home screen.

Canceling a print job from the computer

For Windows users

- 1 Open the printers folder, and then select your printer.
- 2 From the print queue, select the print job you want to cancel, and then delete it.

For Macintosh users

- 1 From System Preferences in the Apple menu, navigate to your printer.
- 2 From the print queue, select the print job you want to cancel, and then delete it.

Understanding the printer menus

Menus list

Supplies

Cyan Cartridge
Magenta Cartridge
Yellow Cartridge
Black Cartridge
Waste Toner Bottle
Fuser
Transfer Module
Staples
Hole Punch Box

Paper Menu

Default Source
Paper Size/Type
Configure MP
Substitute Size
Paper Texture
Paper Weight
Paper Loading
Paper Loading
Custom Types
Custom Names
Custom Bin Names
Universal Setup
Bin Setup

Reports

Menu Settings Page
Device Statistics
Network Setup Page
Network [x] Setup Page
Profiles List
Print Fonts
Print Directory
Asset Report

Settings

General Settings
Flash Drive Menu
Print Settings
Setup Menu
Finishing Menu
Quality Menu
Job Accounting Menu
Utilities Menu
XPS Menu
PDF Menu
PostScript Menu
PCL Emul Menu
HTML Menu
Image Menu

Security

Miscellaneous Security Settings
Confidential Print
Erase Temporary Data Files
Security Audit Log
Set Date and Time

Network/Ports

Active NIC
Standard Network or Network [x]*
Standard USB
Parallel [x]
Serial [x]
SMTP Setup

Help

Print All Guides
Color Quality
Print Quality
Printing Guide
Media Guide
Print Defects Guide
Menu Map
Information Guide
Connection Guide
Moving Guide
Supplies Guide

* Depending on the printer setup, this menu appears as Standard Network, Network [x], or Wireless Network.

Supplies menu

Menu item	Description
Cyan Cartridge Early Warning Invalid Critically Low Missing Defective OK Unsupported	Shows the status of the cyan print cartridge
Magenta Cartridge Early Warning Invalid Critically Low Missing Defective OK Unsupported	Shows the status of the magenta print cartridge
Yellow Cartridge Early Warning Invalid Critically Low Missing Defective OK Unsupported	Shows the status of the yellow print cartridge
Black Cartridge Early Warning Invalid Critically Low Missing Defective OK Unsupported	Shows the status of the black print cartridge
Waste Toner Bottle Near Full Replace Missing OK	Shows the status of the waste toner bottle

Menu item	Description
Fuser Early Warning Low Replace Missing OK	Shows the status of the fuser
Transfer module Early Warning Low Replace Missing OK	Shows the status of the transfer module
Staple Cartridge Early Warning Low Replace Missing OK	Shows the status of the staple cartridge
Hole Punch Box Near Full Replace Missing OK	Shows the status of the hole punch box

Paper menu

Default Source menu

Menu item	Description
Default Source Tray [x] MP Feeder Manual Paper Manual Envelope	Sets a default paper source for all print jobs Notes: <ul style="list-style-type: none"> • Tray 1 (standard tray) is the factory default setting. • From the Paper menu, Configure MP feeder must be set to Cassette for MP feeder to appear as a menu setting. • If the same size and type of paper are in two trays and the Paper Size and Paper Type settings match, then the trays are automatically linked. When one tray is empty, the print job continues using the linked tray.

Paper Size/Type menu

Menu item	Description
<p>Tray [x] Size</p> <ul style="list-style-type: none"> Letter Legal Executive Oficio (Mexico) Folio Statement Universal A4 A5 JIS B5 	<p>Specifies the paper size loaded in each tray</p> <p>Notes:</p> <ul style="list-style-type: none"> • Letter is the US factory default setting. A4 is the international factory default setting. • For trays with automatic size sensing, only the size detected by the hardware appears. • If the same size and type of paper are in two trays and the Paper Size and Paper Type settings match, then the trays are automatically linked. When one tray is empty, the print job uses the linked tray.
<p>Tray [x] Type</p> <ul style="list-style-type: none"> Plain Paper Card Stock Transparency Recycled Glossy Heavy Glossy Labels Vinyl Labels Bond Letterhead Preprinted Colored Paper Light Paper Heavy Paper Rough/Cotton Paper Custom Type [x] 	<p>Specifies the type of paper loaded in each tray</p> <p>Notes:</p> <ul style="list-style-type: none"> • Plain Paper is the factory default setting for Tray 1. Custom Type [x] is the factory default setting for all other trays. • If available, a user-defined name will appear instead of Custom Type [x]. • Use this menu item to configure automatic tray linking.
<p>Note: Only installed trays are listed in this menu.</p>	

Menu item	Description
<p>MP Feeder Size</p> <ul style="list-style-type: none"> Letter Legal Executive Oficio (Mexico) Folio Statement Universal 7 3/4 Envelope 9 Envelope 10 Envelope DL Envelope C5 Envelope B5 Envelope Other Envelope A4 A5 A6 JIS B5 	<p>Specifies the paper size loaded in the multipurpose feeder</p> <p>Notes:</p> <ul style="list-style-type: none"> • Letter is the US factory default setting. A4 is the international factory default setting. • From the Paper menu, Configure MP Feeder must be set to Cassette for MP Feeder to appear as a menu item.
<p>MP Feeder Type</p> <ul style="list-style-type: none"> Custom Type [x] Plain Paper Card Stock Transparency Recycled Glossy Heavy Glossy Labels Vinyl Labels Bond Envelope Rough Envelope Letterhead Preprinted Colored Paper Light Paper Heavy Paper Rough/Cotton Paper 	<p>Specifies the type of paper loaded in the multipurpose feeder</p> <p>Notes:</p> <ul style="list-style-type: none"> • Custom Type [x] is the factory default setting. • From the Paper menu, Configure MP Feeder must be set to Cassette for MP Feeder to appear as a menu item.
<p>Note: Only installed trays are listed in this menu.</p>	

Menu item	Description
Manual Paper Size Letter Legal Executive Oficio (Mexico) Folio Statement Universal A4 A5 A6 JIS B5	Specifies the size of the paper being manually loaded Note: Letter is the US factory default setting. A4 is the international factory default setting.
Manual Paper Type Plain Paper Card Stock Transparency Recycled Glossy Heavy Glossy Labels Vinyl Labels Bond Letterhead Preprinted Colored Paper Light Paper Heavy Paper Rough/Cotton Paper Custom Type [x]	Specifies the type of paper being manually loaded Note: Plain Paper is the factory default setting.
Manual Envelope Size 10 Envelope DL Envelope C5 Envelope B5 Envelope Other Envelope 7 3/4 Envelope 9 Envelope	Specifies the size of the envelope being manually loaded Note: 10 Envelope is the US factory default setting. DL Envelope is the international factory default setting.
Manual Envelope Type Envelope Rough Envelope Custom Type [x]	Specifies the type of envelope being manually loaded Note: Envelope is the factory default setting.
Note: Only installed trays are listed in this menu.	

Configure MP menu

Menu item	Description
Configure MP Cassette Manual First	Determines when the printer selects paper from the multipurpose feeder Notes: <ul style="list-style-type: none"> • Cassette is the factory default setting. Cassette configures the multipurpose feeder as the automatic paper source. • Manual sets the multipurpose feeder only for manual feed print jobs. • First configures the multipurpose feeder as the primary paper source.

Substitute Size menu

Menu item	Description
Substitute Size All Listed Off Statement/A5 Letter/A4	Substitutes a specified paper size if the requested paper size is not available Notes: <ul style="list-style-type: none"> • All Listed is the factory default setting. All available size substitutions are allowed. • Off indicates no size substitutions are allowed. • Setting a size substitution lets a print job continue without a Change Paper message appearing.

Paper Texture menu

Menu item	Description
Plain Texture Normal Rough Smooth	Specifies the relative texture of the plain paper loaded Note: Normal is the factory default setting.
Card Stock Texture Normal Rough Smooth	Specifies the relative texture of the card stock loaded Notes: <ul style="list-style-type: none"> • Normal is the factory default setting. • Settings appear only if card stock is supported.
Transparency Texture Normal Rough Smooth	Specifies the relative texture of the transparencies loaded Note: Normal is the factory default setting.
Recycled Texture Normal Rough Smooth	Specifies the relative texture of the recycled paper loaded Note: Normal is the factory default setting.

Menu item	Description
Glossy Texture Normal Rough Smooth	Specifies the relative texture of the glossy paper loaded Note: Normal is the factory default setting.
Heavy Glossy Texture Normal Rough Smooth	Specifies the relative texture of the glossy paper loaded Note: Normal is the factory default setting.
Labels Texture Normal Rough Smooth	Specifies the relative texture of the labels loaded Note: Normal is the factory default setting.
Vinyl Labels Texture Normal Rough Smooth	Specifies the relative texture of the vinyl labels loaded Note: Normal is the factory default setting.
Bond Texture Rough Smooth Normal	Specifies the relative texture of the bond paper loaded Note: Rough is the factory default setting.
Envelope Texture Normal Rough Smooth	Specifies the relative texture of the envelopes loaded Note: Normal is the factory default setting.
Rough Envelope Texture Rough	Specifies the relative texture of the envelopes loaded Note: Rough is the factory default setting.
Letterhead Texture Normal Rough Smooth	Specifies the relative texture of the letterhead loaded Note: Normal is the factory default setting.
Preprinted Texture Normal Rough Smooth	Specifies the relative texture of the preprinted paper loaded Note: Normal is the factory default setting.
Colored Texture Normal Rough Smooth	Specifies the relative texture of the colored paper loaded Note: Normal is the factory default setting.
Light Texture Normal Rough Smooth	Specifies the relative texture of the paper loaded Note: Normal is the factory default setting.

Menu item	Description
Heavy Texture Normal Rough Smooth	Specifies the relative texture of the paper loaded Note: Normal is the factory default setting.
Rough/Cotton Texture Rough	Specifies the relative texture of the cotton paper loaded Note: Rough is the factory default setting.
Custom [x] Texture Normal Rough Smooth	Specifies the relative texture of the custom paper loaded Notes: <ul style="list-style-type: none"> • Normal is the factory default setting. • Settings appear only if the custom type is supported.

Paper Weight menu

Menu item	Description
Plain Weight Normal Heavy Light	Specifies the relative weight of the plain paper loaded Note: Normal is the factory default setting.
Card Stock Weight Normal Heavy Light	Specifies the relative weight of the card stock loaded Notes: <ul style="list-style-type: none"> • Normal is the factory default setting. • Settings appear only if card stock is supported.
Transparency Weight Normal Heavy Light	Specifies the relative weight of the transparencies loaded Note: Normal is the factory default setting.
Recycled Weight Normal Heavy Light	Specifies the relative weight of the recycled paper loaded Note: Normal is the factory default setting.
Glossy Weight Normal Heavy Light	Specifies the relative weight of the glossy paper loaded Note: Normal is the factory default setting.
Heavy Glossy Weight Heavy	Specifies the relative weight of the glossy paper loaded Note: Heavy is the factory default setting.
Labels Weight Normal Heavy Light	Specifies the relative weight of the labels loaded Note: Normal is the factory default setting.

Menu item	Description
Vinyl Labels Weight Normal Heavy Light	Specifies the relative weight of vinyl labels loaded Note: Normal is the factory default setting.
Bond Weight Normal Heavy Light	Specifies the relative weight of the bond paper loaded Note: Normal is the factory default setting.
Envelope Weight Normal Heavy Light	Specifies the relative weight of the envelopes loaded Note: Normal is the factory default setting.
Rough Envelope Weight Heavy Light Normal	Specifies the relative weight of the envelopes loaded Note: Heavy is the factory default setting.
Letterhead Weight Normal Heavy Light	Specifies the relative weight of the letterhead loaded Note: Normal is the factory default setting.
Preprinted Weight Normal Heavy Light	Specifies the relative weight of the preprinted paper loaded Note: Normal is the factory default setting.
Colored Weight Normal Heavy Light	Specifies the relative weight of the colored paper loaded Note: Normal is the factory default setting.
Light Weight Light	Specifies the relative weight of the paper loaded Note: Light is the factory default setting.
Heavy Weight Heavy	Specifies the relative weight of the paper loaded Note: Heavy is the factory default setting.
Rough/Cotton Weight Normal Heavy Light	Specifies the relative weight of the cotton paper loaded Note: Normal is the factory default setting.
Custom [x] Weight Normal Heavy Light	Specifies the relative weight of the custom paper loaded Notes: <ul style="list-style-type: none"> • Normal is the factory default setting. • Settings appear only if the custom type is supported.

Paper Loading menu

Menu item	Description
Card Stock Loading Off Duplex	Determines whether 2-sided printing occurs for all print jobs that specify Card Stock as the paper type Note: Off is the factory default setting.
Recycled Loading Off Duplex	Determines whether 2-sided printing occurs for all print jobs that specify Recycled as the paper type Note: Off is the factory default setting.
Glossy Loading Off Duplex	Determines whether 2-sided printing occurs for all print jobs that specify Glossy as the paper type Note: Off is the factory default setting.
Heavy Glossy Loading Off Duplex	Determines whether 2-sided printing occurs for all print jobs that specify Heavy Glossy as the paper type Note: Off is the factory default setting.
Labels Loading Off Duplex	Determines whether 2-sided printing occurs for all print jobs that specify Labels as the paper type Note: Off is the factory default setting.
Vinyl Labels Loading Off Duplex	Determines whether 2-sided printing occurs for all print jobs that specify Vinyl Labels as the paper type Note: Off is the factory default setting.
Bond Loading Off Duplex	Determines whether 2-sided printing occurs for all print jobs that specify Bond as the paper type Note: Off is the factory default setting.
Letterhead Loading Off Duplex	Determines whether 2-sided printing occurs for all print jobs that specify Letterhead as the paper type Note: Off is the factory default setting.
Preprinted Loading Off Duplex	Determines whether 2-sided printing occurs for all print jobs that specify Preprinted as the paper type Note: Off is the factory default setting.
Colored Loading Off Duplex	Determines whether 2-sided printing occurs for all print jobs that specify Colored as the paper type Note: Off is the factory default setting.
Light Loading Off Duplex	Determines whether 2-sided printing occurs for all print jobs that specify Light as the paper type Note: Off is the factory default setting.
Notes: <ul style="list-style-type: none"> • Duplex sets the printer default to 2-sided printing for every print job unless 1-sided printing is selected from Print Properties. • If Duplex is selected, then all print jobs are sent through the duplex unit, including 1-sided print jobs. 	

Menu item	Description
Heavy Loading Off Duplex	Determines whether 2-sided printing occurs for all print jobs that specify Heavy as the paper type Note: Off is the factory default setting.
Rough/Cotton Loading Off Duplex	Determines whether 2-sided printing occurs for all print jobs that specify Rough or Cotton as the paper type Note: Off is the factory default setting.
Custom [x] Loading Off Duplex	Determines whether 2-sided printing occurs for all print jobs that specify Custom [x] as the paper type Notes: <ul style="list-style-type: none"> Off is the factory default setting. Custom [x] Loading is available only if the custom paper type is supported.
Notes: <ul style="list-style-type: none"> Duplex sets the printer default to 2-sided printing for every print job unless 1-sided printing is selected from Print Properties. If Duplex is selected, then all print jobs are sent through the duplex unit, including 1-sided print jobs. 	

Custom Types menu

Menu item	Description
Custom Type [x] Paper Card Stock Transparency Glossy Rough/Cotton Labels Vinyl Labels Envelope	Associates a paper or specialty media type with a factory default Custom Type [x] name or a user-defined Custom Name created from the Embedded Web Server or from MarkVision™ Professional Notes: <ul style="list-style-type: none"> Paper is the factory default setting. The custom media type must be supported by the selected tray or multipurpose feeder in order to print from that source.
Recycled Paper Card Stock Transparency Glossy Rough/Cotton Labels Vinyl Labels Envelope	Specifies a paper type when the Recycled setting is selected in other menus Notes: <ul style="list-style-type: none"> Paper is the factory default setting. The custom media type must be supported by the selected tray or multipurpose feeder in order to print from that source.

Custom Names menu

Menu item	Definition
Custom Name [x] [none]	Specify a custom name for a paper type. This name replaces the Custom Type [x] name in the printer menus.

Custom Bin Names menu

Menu Item	Description
Standard Bin	Specifies a custom name for the Standard Bin
Bin [x]	Specifies a custom name for Bin [x]

Universal Setup menu

These menu items are used to specify the height and width of the Universal paper size. The Universal paper size is a user-defined paper size setting. It is listed with the other paper size settings and includes similar options, such as support for duplex printing and printing multiple pages on one sheet.

Menu item	Description
Units of Measure Inches Millimeters	Identifies the unit of measure Note: Inches is the US factory default setting. Millimeters is the international factory default setting.
Portrait Width 3–48 inches 76–1219 mm	Sets the portrait width Notes: <ul style="list-style-type: none"> • If the width exceeds the maximum, then the printer uses the maximum width allowed. • 8.5 inches is the US factory default setting. 216 mm is the international factory default setting. • The width can be increased in 0.01-inch or in 1-mm increments.
Portrait Height 3–48 inches 76–1219 mm	Sets the portrait height Notes: <ul style="list-style-type: none"> • If the height exceeds the maximum, then the printer uses the maximum height allowed. • 14 inches is the US factory default setting. 356 mm is the international factory default setting. • The height can be increased in 0.01-inch or in 1-mm increments.
Feed Direction Short Edge Long Edge	Specifies the feed direction Notes: <ul style="list-style-type: none"> • Short Edge is the factory default setting. • Long Edge appears only if the longest edge is shorter than the maximum width supported in the tray.

Bin Setup menu

Menu item	Description
Output Bin Standard Bin Bin [x]	Specifies the default exit bin Note: Standard Bin is the factory default setting.
Configure Bins Mailbox Link Mail Overflow Link Optional Type Assignment	Specifies configuration options for exit bins Notes: <ul style="list-style-type: none"> • Mailbox is the factory default setting. This setting treats each bin as a separate mailbox. • Link configures all available bins as one large exit bin. • Mail Overflow assigns an overflow bin when the mailbox bins become full. • Link Optional links together all available exit bins except the standard bin and only appears when at least two optional bins are installed. • Type Assignment assigns each paper type to an exit bin or linked bin set. • Bins assigned the same name are automatically linked unless Link Optional is selected.
Overflow Bin Standard Bin Bin [x]	Specifies an alternate exit bin when a designated bin is full Note: Standard Bin is the factory default setting.
Assign Type/Bin Plain Paper Bin Card Stock Bin Transparency Bin Recycled Bin Glossy Bin Heavy Glossy Bin Labels Bin Vinyl Labels Bin Bond Bin Envelope Bin Rough Envelope Bin Letterhead Bin Preprinted Bin Colored Bin Light Paper Bin Heavy Paper Bin Rough/Cotton Bin Custom [x] Bin	Selects an exit bin for each supported paper type Select from the following options for each type: Disabled Standard Bin Bin [x] Note: Disabled is the factory default setting.

Reports menu

Reports menu

Use	To
Menu Settings Page	Print a report containing information about paper loaded in trays, installed memory, the total page count, alarms, timeouts, the printer control panel language, the TCP/IP address, the status of supplies, the status of the network connection, and other information.
Device Statistics	Print a report containing printer statistics such as supply information and details about printed pages.
Network Setup Page	Print a report containing information about the network printer settings, such as the TCP/IP address. Note: This menu appears only in network printers or printers connected to print servers.
Network [x] Setup Page	Print a report containing information on network printer settings, such as the TCP/IP address information. Notes: <ul style="list-style-type: none"> • This menu item is available only when more than one network option is installed. • This menu item appears only in network printers or in printers connected to print servers.
Profiles List	Print a list of profiles stored in the printer.
Print Fonts PCL Fonts PostScript Fonts	Print a report in English of all the fonts available for the printer language currently set in the printer. Note: A separate list is available for PCL and PostScript emulations. Each emulation report contains print samples and information about the available fonts for each language.
Print Demo Demo Page [list of available demo pages]	Print demo files that are available in the RIP code, the flash option, and the disk option.
Asset Report	Print a report containing asset information including the printer serial number and model name. The report contains text and UPC bar codes that can be scanned into an asset database.

Network/Ports menu

Active NIC menu

Menu item	Description
Active NIC Auto [list of available network cards]	Notes: <ul style="list-style-type: none"> • Auto is the factory default setting. • This menu item appears only if an optional network card is installed.

Standard Network or Network [x] menus

Note: Only active ports appear in this menu; all inactive ports are omitted.

Menu item	Description
PCL SmartSwitch On Off	Sets the printer to automatically switch to PCL emulation when a print job requires it, regardless of the default printer language Notes: <ul style="list-style-type: none"> • On is the factory default setting. • When Off is used, the printer does not examine incoming data. The printer uses PostScript emulation if PS SmartSwitch is set to On. It uses the default printer language specified in the Setup menu if PS SmartSwitch is set to Off.
PS SmartSwitch On Off	Sets the printer to automatically switch to PS emulation when a print job requires it, regardless of the default printer language Notes: <ul style="list-style-type: none"> • On is the factory default setting. • When Off is used, the printer does not examine incoming data. The printer uses PCL emulation if PCL SmartSwitch is set to On. It uses the default printer language specified in the Setup menu if PCL SmartSwitch is set to Off.
NPA Mode Auto Off	Sets the printer to perform the special processing required for bidirectional communication following the conventions defined by the NPA protocol Notes: <ul style="list-style-type: none"> • Auto is the factory default setting. • Changing this setting from the printer control panel and then exiting the menus causes the printer to restart. The menu selection is then updated.

Menu item	Description
Network Buffer Auto 3KB to [maximum size allowed]	Sets the size of the network input buffer Notes: <ul style="list-style-type: none"> • Auto is the factory default setting. • The value can be changed in 1-KB increments. • The maximum size allowed depends on the amount of memory in the printer, the size of the other link buffers, and whether Resource Save is set to On or Off. • To increase the maximum size range for the Network Buffer, disable or reduce the size of the parallel, serial, and USB buffers. • Changing this setting from the printer control panel and then exiting the menus causes the printer to restart. The menu selection is then updated.
Job Buffering Off On Auto	Temporarily stores print jobs on the printer hard disk before printing. This menu only appears if a formatted disk is installed. Notes: <ul style="list-style-type: none"> • Off is the factory default setting. • On buffers print jobs on the printer hard disk. • Auto buffers print jobs only if the printer is busy processing data from another input port. • Changing this setting from the printer control panel and then exiting the menus causes the printer to restart. The menu selection is then updated.
Mac Binary PS Auto On Off	Sets the printer to process Macintosh binary PostScript print jobs Notes: <ul style="list-style-type: none"> • Auto is the factory default setting. • Off filters print jobs using the standard protocol. • On processes raw binary PostScript print jobs.
Standard Network Setup Reports Network Card TCP/IP IPv6 Wireless AppleTalk	Displays and sets the printer network settings. Note: The Wireless menu appears only when the printer is connected to a wireless network.
Network [x] Setup Reports Network Card TCP/IP IPv6 Wireless AppleTalk	

Network Reports menu

This menu is available from the Network/Ports menu:

Network/Ports > Standard Network or **Network [x] > Standard Network Setup** or **Network [x] Setup > Reports** or **Network Reports**

Menu item	Description
Print Setup Page	Prints a report containing information about the network printer settings, such as the TCP/IP address

Network Card menu

This menu is available from the Network/Ports menu:

Network/Ports > Standard Network or **Network [x] > Standard Network Setup** or **Network [x] Setup > Network Card**

Menu item	Description
View Card Status Connected Disconnected	Lets you view the connection status of the Network Card
View Card Speed	Lets you view the speed of a currently active network card
Network Address UAA LAA	Lets you view the network addresses
Job Timeout 0 10–225	Sets the amount of time in seconds before a network print job is canceled Note: 90 seconds is the factory default setting.
Banner Page Off On	Allows the printer to print a banner page Note: Off is the factory default setting.

TCP/IP menu

This menu is available from the Network/Ports menu:

Network/Ports > Standard Network or **Network [x] > Standard Network Setup** or **Network [x] Setup > TCP/IP**

Note: This menu is available only in network models or printers attached to print servers.

Menu item	Description
Activate On Off	Activates TCP/IP Note: On is the factory default setting.
Set Hostname	Lets you set the current TCP/IP hostname Note: This can be changed only from the Embedded Web Server.

Menu item	Description
IP Address	Lets you view or change the current TCP/IP address Note: Manually setting the IP address sets the Enable DHCP and Enable Auto IP settings to Off. It also sets Enable BOOTP and Enable RARP to Off on systems that support BOOTP and RARP.
Netmask	Lets you view or change the current TCP/IP netmask
Gateway	Lets you view or change the current TCP/IP gateway
Enable DHCP On Off	Specifies the DHCP address and parameter assignment setting Note: On is the factory default setting.
Enable RARP On Off	Specifies the RARP address assignment setting Note: On is the factory default setting.
Enable BOOTP On Off	Specifies the BOOTP address assignment setting Note: On is the factory default setting.
Enable AutoIP Yes No	Specifies the Zero Configuration Networking setting Note: Yes is the factory default setting.
Enable FTP/TFTP Yes No	Enables the built-in FTP server, which allows you to send files to the printer using File Transfer Protocol. Note: Yes is the factory default setting.
Enable HTTP Server Yes No	Enables the built-in web server (Embedded Web Server). When enabled, the printer can be monitored and managed remotely using a web browser. Note: Yes is the factory default setting.
WINS Server Address	Lets you view or change the current WINS server address
Enable DDNS Yes No	Lets you view or change the current DDNS setting Note: Yes is the factory default setting.
Enable mDNS Yes No	Lets you view or change the current mDNS setting Note: Yes is the factory default setting.
DNS Server Address	Lets you view or change the current DNS server address
Enable HTTPS Yes No	Lets you view or change the current HTTPS setting Note: Yes is the factory default setting.

IPv6 menu

To access the menu, navigate to any of the following:

- **Network/Ports menu > Standard Network > Standard Network Setup > IPv6**
- **Network/Ports menu > Network [x] > Network [x] Setup > IPv6**

Note: This menu is available only in network printers or printers that are attached to print servers.

Use	To
Enable IPv6 On Off	Enable IPv6 in the printer. Note: On is the factory default setting.
Auto Configuration On Off	Specify whether or not the network adapter accepts the automatic IPv6 address configuration entries provided by a router. Note: On is the factory default setting.
Set Hostname	Set the host name.
View Address	Note: These settings can be changed only from the Embedded Web Server.
View Router Address	
Enable DHCPv6 On Off	Enable DHCPv6 in the printer. Note: On is the factory default setting.

Wireless menu

Use the following menu items to view or configure the wireless internal print server settings.

Note: This menu is available only for models connected to a wireless network.

The Wireless menu is available from the Network/Ports menu:

Network/Ports > Standard Network or **Network [x] > Standard Network Setup** or **Network [x] Setup > Wireless**

Menu item	Description
WPS PBC Mode	Lets you connect the printer to a wireless network by pressing buttons on both the printer and the access point (wireless router) within a given period of time
WPS PIN Mode	Lets you connect the printer to a wireless network by using a PIN on the printer and entering it into the wireless settings of the access point
WPS Auto Detect Disable Enable	Automatically detects the connection method that an access point with WPS uses— WPS Push Button Configuration (PBC) or WPS Personal Identification Number (PIN) Note: Disable is the factory default setting.
Network Mode Ad hoc Infrastructure	Specifies the network mode Notes: <ul style="list-style-type: none"> Ad hoc is the factory default setting. This configures wireless connection directly between the printer and a computer. Infrastructure lets the printer access a network using an access point.
Compatibility 802.11b/g/n 802.11n 802.11b/g	Specifies the wireless standard for the wireless network Note: The 802.11b/g/n is the factory default setting.

Menu item	Description
Choose Network [list of available networks]	Lets you select an available network for the printer to use
View Signal Quality	Lets you view the quality of the wireless connection
View Security Mode	Lets you view the encryption method that a wireless network uses

Note: *Wi-Fi Protected Setup (WPS)* is a simple and secure configuration that allows you to establish a wireless network and enable network security without requiring prior knowledge of Wi-Fi technology. It is no longer necessary to configure the network name (SSID) and WEP key or WPA passphrase for network devices.

AppleTalk menu

To access the menu, navigate to either of the following:

- **Network/Ports > Standard Network > Standard Network Setup > AppleTalk**
- **Network/Ports > Network [x] > Network [x] Setup > AppleTalk**

Use	To
Activate Yes No	Enable or disable AppleTalk support. Note: No is the factory default setting.
View Name	Show the assigned AppleTalk name. Note: The AppleTalk name can be changed only from the Embedded Web Server.
View Address	Show the assigned AppleTalk address. Note: The AppleTalk address can be changed only from the Embedded Web Server.
Set Zone [list of zones available on the network]	Provide a list of AppleTalk zones available on the network. Note: The default zone for the network is the factory default setting.

Standard USB menu

Menu item	Description
PCL SmartSwitch On Off	Sets the printer to automatically switch to PCL emulation when a print job received through a USB port requires it, regardless of the default printer language Notes: <ul style="list-style-type: none"> • On is the factory default setting. • When set to Off, the printer does not examine incoming data. The printer uses PostScript emulation if the PS SmartSwitch is set to On. It uses the default printer language specified in the Setup menu if the PS SmartSwitch is set to Off.

Menu item	Description
PS SmartSwitch On Off	Sets the printer to automatically switch to PS emulation when a print job received through a USB port requires it, regardless of the default printer language Notes: <ul style="list-style-type: none"> • On is the factory default setting. • When set to Off, the printer does not examine incoming data. The printer uses PCL emulation if the PCL SmartSwitch is set to On. It uses the default printer language specified in the Setup menu if the PCL SmartSwitch is set to Off.
NPA Mode Auto On Off	Sets the printer to perform the special processing required for bidirectional communication following the conventions defined by the NPA protocol Notes: <ul style="list-style-type: none"> • Auto is the factory default setting. Auto sets the printer to examine data, determine the format, and then process it appropriately. • Changing this setting from the printer control panel and then exiting the menus causes the printer to restart. The menu selection is then updated.
USB Buffer Auto 3KB to [maximum size allowed] Disabled	Sets the size of the USB input buffer Notes: <ul style="list-style-type: none"> • Auto is the factory default setting. • Disabled turns off job buffering. Any jobs already buffered on the printer hard disk are printed before normal processing resumes. • The USB buffer size value can be changed in 1-KB increments. • The maximum size allowed depends on the amount of memory in the printer, the size of the other link buffers, and whether Resource Save is set to On or Off. • To increase the maximum size range for the USB Buffer, disable or reduce the size of the parallel, serial, and network buffers. • Changing this setting from the printer control panel and then exiting the menus causes the printer to restart. The menu selection is then updated.
Job Buffering Off On Auto	Temporarily stores print jobs on the printer hard disk before printing Notes: <ul style="list-style-type: none"> • Off is the factory default setting. • On buffers jobs on the printer hard disk. • Auto buffers print jobs only if the printer is busy processing data from another input port. • Changing this setting from the printer control panel and then exiting the menus causes the printer to restart. The menu selection is then updated.
Mac Binary PS Auto On Off	Sets the printer to process Macintosh binary PostScript print jobs Notes: <ul style="list-style-type: none"> • Auto is the factory default setting. • On processes raw binary PostScript print jobs. • Off filters print jobs using the standard protocol.

Menu item	Description
ENA Address YYY.YYY.YYY.YYY	Sets the network address information for an external print server Note: This menu item is available only if the printer is attached to an external print server through the USB port.
ENA Netmask YYY.YYY.YYY.YYY	Sets the netmask information for an external print server Note: This menu item is available only if the printer is attached to an external print server through the USB port.
ENA Gateway YYY.YYY.YYY.YYY	Sets the gateway information for an external print server Note: This menu item is available only if the printer is attached to an external print server through the USB port.

Parallel [x] menu

Menu item	Description
PCL SmartSwitch On Off	Sets the printer to automatically switch to PCL emulation when a print job received through a serial port requires it, regardless of the default printer language Notes: <ul style="list-style-type: none"> • On is the factory default setting. • When set to Off, the printer does not examine incoming data. The printer uses PostScript emulation if PS SmartSwitch is set to On. It uses the default printer language specified in the Setup menu if PS SmartSwitch is set to Off.
PS SmartSwitch On Off	Sets the printer to automatically switch to PS emulation when a print job received through a serial port requires it, regardless of the default printer language Notes: <ul style="list-style-type: none"> • On is the factory default setting. • When set to Off, the printer does not examine incoming data. The printer uses PCL emulation if PCL SmartSwitch is set to On. It uses the default printer language specified in the Setup menu if PCL SmartSwitch is set to Off.
NPA Mode Auto On Off	Sets the printer to perform the special processing required for bidirectional communication following the conventions defined by the NPA protocol Notes: <ul style="list-style-type: none"> • Auto is the factory default setting. • Changing this setting from the printer control panel and then exiting the menus causes the printer to restart. The menu selection is then updated.

Menu item	Description
Parallel Buffer Auto 3KB to [maximum size allowed] Disabled	Sets the size of the parallel input buffer Notes: <ul style="list-style-type: none"> • Auto is the factory default setting. • Disabled turns off job buffering. Any print jobs already buffered on the printer hard disk are printed before normal processing resumes. • The parallel buffer size setting can be changed in 1-KB increments. • The maximum size allowed depends on the amount of memory in the printer, the size of the other link buffers, and whether Resource Save is set to On or Off. • To increase the maximum size range for the Parallel Buffer, disable or reduce the size of the USB, serial, and network buffers. • Changing this setting from the printer control panel and then exiting the menus causes the printer to restart. The menu selection is then updated.
Job Buffering Off On Auto	Temporarily stores print jobs on the printer hard disk before printing Notes: <ul style="list-style-type: none"> • Off is the factory default setting. • On buffers print jobs on the printer hard disk. • Auto buffers print jobs only if the printer is busy processing data from another input port. • Changing this setting from the printer control panel and then exiting the menus causes the printer to restart. The menu selection is then updated.
Advanced Status On Off	Enables bidirectional communication through the parallel port Notes: <ul style="list-style-type: none"> • On is the factory default setting. • Off disables parallel port negotiation.
Protocol Fastbytes Standard	Specifies the parallel port protocol Notes: <ul style="list-style-type: none"> • Fastbytes is the factory default setting. It provides compatibility with most existing parallel ports and is the recommended setting. • Standard tries to resolve parallel port communication problems.
Honor Init Off On	Determines if the printer honors printer hardware initialization requests from the computer Notes: <ul style="list-style-type: none"> • Off is the factory default setting. • The computer requests initialization by activating the Init signal from the parallel port. Many personal computers activate the Init signal each time the computer is turned on.
Parallel Mode 2 On Off	Determines if the parallel port data is sampled on the leading or trailing edge of a strobe Note: On is the factory default setting.

Menu item	Description
Mac Binary PS Auto On Off	Sets the printer to process Macintosh binary PostScript print jobs Notes: <ul style="list-style-type: none"> • Auto is the factory default setting. • Off filters print jobs using the standard protocol. • On processes raw binary PostScript print jobs.
ENA Address YYY.YYY.YYY.YYY	Sets the network address information for an external print server Note: This menu item is available only if the printer is attached to an external print server through the USB port.
ENA Netmask YYY.YYY.YYY.YYY	Sets the netmask information for an external print server Note: This menu item is available only if the printer is attached to an external print server through the USB port.
ENA gateway YYY.YYY.YYY.YYY	Sets the gateway information for an external print server Note: This menu item is available only if the printer is attached to an external print server through the USB port.

Serial [x] menu

Menu item	Description
PCL SmartSwitch On Off	Sets the printer to automatically switch to PCL emulation when a print job received through a serial port requires it, regardless of the default printer language Notes: <ul style="list-style-type: none"> • On is the factory default setting. • When set to Off, the printer does not examine incoming data. The printer uses PostScript emulation if PS SmartSwitch is set to On. It uses the default printer language specified in the Setup menu if PS SmartSwitch is set to Off.
PS SmartSwitch On Off	Sets the printer to automatically switch to PS emulation when a print job received through a serial port requires it, regardless of the default printer language Notes: <ul style="list-style-type: none"> • On is the factory default setting. • When set to Off, the printer does not examine incoming data. The printer uses PCL emulation if PCL SmartSwitch is set to On. It uses the default printer language specified in the Setup menu if PCL SmartSwitch is set to Off.

Menu item	Description
NPA Mode Auto On Off	Sets the printer to perform the special processing required for bidirectional communication following the conventions defined by the NPA protocol Notes: <ul style="list-style-type: none"> • Auto is the factory default setting. Auto sets the printer to examine data, determine the format, and then processes it appropriately. • When set to On, the printer performs NPA processing. If the data is not in NPA format, it is rejected as bad data. • When set to Off, the printer does not perform NPA processing. • Changing this setting from the printer control panel and then exiting the menus causes the printer to restart. The menu selection is then updated.
Serial Buffer Auto 3KB to [maximum size allowed] Disabled	Sets the size of the serial input buffer Notes: <ul style="list-style-type: none"> • Auto is the factory default setting. • Disabled turns off job buffering. Any jobs already buffered on the disk are printed before normal processing is resumed. • The serial buffer size setting can be changed in 1-KB increments. • The maximum size allowed depends on the amount of memory in the printer, the size of the other link buffers, and whether Resource Save is set to On or Off. • To increase the maximum size range for the Serial Buffer, disable or reduce the size of the parallel, serial, and network buffers. • Changing this setting from the printer control panel and then exiting the menus causes the printer to restart. The menu selection is then updated.
Job Buffering Off On Auto	Temporarily stores print jobs on the printer hard disk before printing Notes: <ul style="list-style-type: none"> • Off is the factory default setting. The printer does not buffer print jobs on the printer hard disk. • On buffers print jobs on the printer hard disk. • Auto buffers print jobs only if the printer is busy processing data from another input port. • Changing this setting from the printer control panel and then exiting the menus causes the printer to restart. The menu selection is then updated.
Protocol DTR DTR/DSR XON/XOFF XON/XOFF/DTR XONXOFF/DTRDSR	Selects the hardware and software handshaking settings for the serial port Notes: <ul style="list-style-type: none"> • DTR is the factory default setting. • DTR/DSR is a hardware handshaking setting. • XON/XOFF is a software handshaking setting. • XON/XOFF/DTR and XON/XOFF/DTR/DSR are combined hardware and software handshaking settings.

Menu item	Description
Robust XON Off On	Determines whether the printer communicates availability to the computer Notes: <ul style="list-style-type: none"> Off is the factory default setting. This menu item applies only to the serial port if Serial Protocol is set to XON/XOFF.
Baud 9600 19200 38400 57600 115200 138200 172800 230400 345600 1200 2400 4800	Specifies the rate at which data can be received through the serial port Notes: <ul style="list-style-type: none"> 9600 is the factory default setting. 138200, 172800, 230400, and 345600 baud rates are only displayed in the Standard Serial menu. These settings do not appear in the Serial Option 1, Serial Option 2, or Serial Option 3 menus.
Data Bits 8 7	Specifies the number of data bits sent in each transmission frame Note: 8 is the factory default setting.
Parity None Ignore Even Odd	Sets the parity for serial input and output data frames Note: None is the factory default setting.
Honor DSR Off On	Determines whether the printer uses the DSR Signal Notes: <ul style="list-style-type: none"> Off is the factory default setting. DSR is a handshaking signal used by most serial cables. The serial port uses DSR to distinguish data sent by the computer from data created by electrical noise in the serial cable. The electrical noise can cause stray characters to print. Set this to On to prevent stray characters from printing.

SMTP Setup menu

Menu item	Description
Primary SMTP Gateway	Specifies SMTP server gateway and port information Note: 25 is the default SMTP gateway port.
Primary SMTP Gateway Port	
Secondary SMTP Gateway	
Secondary SMTP Gateway Port	

Menu item	Description
SMTP Timeout 5–30	Specifies the amount of time in seconds before the server stops trying to send an e-mail Note: 30 seconds is the factory default setting.
Reply Address	Specifies a reply address of up to 128 characters in the e-mail sent by the printer
Use SSL Disabled Negotiate Required	Sets the printer to use SSL for increased security when connecting to the SMTP server Notes: <ul style="list-style-type: none"> • Disabled is the factory default setting. • When the Negotiate setting is used, the SMTP server determines if SSL will be used.
SMTP Server Authentication No authentication required Login/Plain CRAM-MD5 Digest-MD5 NTLM Kerberos 5	Specifies the type of user authentication required for scan to e-mail privileges Note: “No authentication required” is the factory default setting.
Device-Initiated E-mail None Use Device SMTP Credentials	Specifies what credentials will be used when communicating to the SMTP server. Some SMTP servers require credentials to send an e-mail. Notes: <ul style="list-style-type: none"> • None is the factory default setting for Device and User-Initiated E-mail. • Device Userid and Device Password are used to log in to the SMTP server when Use Device SMTP Credentials is selected.
User-Initiated E-mail None Use Device SMTP Credentials Use Session User ID & Password Use Session E-mail address & Password Prompt User	
Device Userid	
Device Password	
Kerberos 5 Realm	
NTLM Domain	

Security menu

Miscellaneous Security Settings menu

Menu item	Description
Login Restriction Login failures 1–10 Failure time frame 1–60 Lockout time 1–60 Panel Login Timeout 1–900 Remote Login Timeout 1–120	Limits the number and time frames of failed login attempts from the printer control panel before <i>all</i> users are locked out Notes: <ul style="list-style-type: none"> • “Login failures” specifies the number of failed login attempts before users are locked out. 3 attempts is the factory default setting. • “Failure time frame” specifies the time frame during which failed login attempts can be made before users are locked out. 5 minutes is the factory default setting. • “Lockout time” specifies how long users are locked out after exceeding the login failures limit. 5 minutes is the factory default setting. • Panel Login Timeout specifies how long the printer remains idle on the home screen before automatically logging the user off. 30 seconds is the factory default setting. • Remote Login Timeout specifies how long a remote interface (for example, a Web page) can remain idle before automatically logging the user off. 10 minutes is the factory default setting.

Confidential Print menu

Menu item	Description
Max Invalid PIN Off 2–10	Limits the number of times an invalid PIN can be entered Notes: <ul style="list-style-type: none"> • This menu appears only if a formatted, non-defective printer hard disk is installed. • Once the limit is reached, the print job for that user name and that PIN are deleted.
Confidential Job Expiration Off 1 hour 4 hours 24 hours 1 week	Limits the amount of time a confidential print job stays in the printer before it is deleted Notes: <ul style="list-style-type: none"> • If the Job Expiration setting is changed while confidential print jobs reside on the printer RAM or printer hard disk, then the expiration time for those print jobs does not change to the new default value. • If the printer is turned off, then all confidential jobs held in printer RAM are deleted.
Repeat Job Expiration Off 1 hour 4 hours 24 hours 1 week	Sets a time limit on how long the printer stores print jobs
Note: Off is the factory default setting.	

Menu item	Description
Verify Job Expiration Off 1 hour 4 hours 24 hours 1 week	Sets a time limit on how long the printer stores print jobs needing verification
Reserve Job Expiration Off 1 hour 4 hours 24 hours 1 week	Sets a time limit on how long the printer stores print jobs for printing at a later time
Note: Off is the factory default setting.	

Erase Temporary Data Files menu

Erase Temporary Data Files deletes *only* print job data on the printer hard disk that *are not* currently in use by the file system. All permanent data on the hard disk are preserved, such as downloaded fonts, macros, and held jobs.

Note: This menu appears only when a formatted, working hard disk is installed.

Use	To
Wiping Mode Off Auto Manual	Specify the mode for erasing temporary data files. Note: Auto is the factory default setting.
Automatic Method Single pass Multi-pass	Specify a method for automatic disk wiping. Notes: <ul style="list-style-type: none"> • Single pass is the factory default setting. • Highly confidential information should be erased using <i>only</i> the Multiple pass method.
Manual Method Single pass Multi-pass	Specify a method for manual disk wiping. Note: Single pass is the factory default setting.
Scheduled Method Single pass Multi-pass	Specify a method for a scheduled disk wiping. Note: Single pass is the factory default setting.

Security Audit Log menu

Menu item	Description
Export Log	Enables an authorized user to export the audit log Notes: <ul style="list-style-type: none"> To export the audit log from the printer control panel, a flash drive must be attached to the printer. From the Embedded Web Server, the audit log can be downloaded to a computer.
Delete Log Yes No	Specifies whether audit logs are deleted Note: “Yes” is the factory default setting.
Configure Log Enable Audit No Yes Enable Remote Syslog No Yes Remote Syslog Facility 0–23 Severity of events to log 0–7	Specifies whether and how audit logs are created Notes: <ul style="list-style-type: none"> Enable Audit determines if events are recorded in the secure audit log and remote syslog. No is the factory default setting. Enable Remote Syslog determines if logs are sent to a remote server. No is the factory default setting. Remote Syslog Facility determines the value used to send logs to the remote syslog server. 4 is the factory default setting. With the security audit log activated, the severity value of each event is recorded. 4 is the factory default setting.

Set Date and Time menu

Menu item	Description
Current Date and Time	Shows the current date and time settings for the printer
Manually Set Date and Time [input date/time]	Notes: <ul style="list-style-type: none"> Date and Time is set in YYYY-MM-DD HH:MM format. Manually setting the date and time sets Enable NTP to Off.
Time Zone [list of time zones]	Note: GMT is the factory default setting.
Automatically observe DST On Off	Note: On is the factory default setting. This uses the applicable Daylight Saving Time associated with the Time Zone setting.
Enable NTP On Off	Enables Network Time Protocol, which synchronizes the clocks of devices on a network Notes: <ul style="list-style-type: none"> On is the factory default setting. The setting is turned off if you manually set the date and time.

Settings menu

General Settings menu

Use	To
<p>Display Language</p> <ul style="list-style-type: none"> English Francais Deutsch Italiano Espanol Greek Dansk Norsk Nederlands Svenska Portuguese Suomi Russian Polski Magyar Turkce Cesky Simplified Chinese Traditional Chinese Korean Japanese 	<p>Set the language of the text appearing on the Embedded Web Server, Local Printer Settings for Windows, or Printer Settings for Macintosh.</p> <p>Note: Not all languages are available for all models. You may need to install special hardware for some languages.</p>
<p>Eco-Mode</p> <ul style="list-style-type: none"> Off Energy Energy/Paper Paper 	<p>Minimize the use of energy, paper, or specialty media.</p> <p>Notes:</p> <ul style="list-style-type: none"> • Off is the factory default setting. This resets the printer to its factory default settings. • Energy minimizes the power used by the printer. Performance may be affected, but print quality is not. • Energy/Paper minimizes the use of power, paper, and specialty media. • Paper minimizes the amount of paper and specialty media needed for a print job. Performance may be affected, but print quality is not.
<p>Quiet Mode</p> <ul style="list-style-type: none"> Off On 	<p>Minimize the printer noise.</p> <p>Note: Off is the factory default setting.</p>
<p>Run Initial setup</p> <ul style="list-style-type: none"> Yes No 	<p>Run the setup wizard.</p>

Use	To
<p>Keyboard</p> <ul style="list-style-type: none"> Keyboard Type English Francais Francais Canadien Deutsch Italiano Espanol Greek Dansk Norsk Nederlands Svenska Suomi Portuguese Russian Polski Swiss German Swiss French Korean Magyar Turkce Cesky Simplified Chinese Traditional Chinese Japanese Custom Key 1 	<p>Specify the language for the control panel keyboard.</p>
<p>Paper Sizes</p> <ul style="list-style-type: none"> U.S. Metric 	<p>Specify the unit of measurement for paper sizes.</p> <p>Notes:</p> <ul style="list-style-type: none"> • U.S. is the factory default setting. • The initial setting is determined by your country or region selection in the initial setup wizard.

Use	To
<p>Displayed Information</p> <ul style="list-style-type: none"> Left side Right side Custom Text [x] [x] Toner Fuser Transfer Module 	<p>Specify what is displayed in the upper corners of the home screen.</p> <p>For the Left side and Right side menus, select from the following options:</p> <ul style="list-style-type: none"> None IP Address Hostname Contact Name Location Date/Time mDNS/DDNS Service Name Zero Configuration Name Custom Text [x] Model Name <p>Notes:</p> <ul style="list-style-type: none"> • IP Address is the factory default setting for Left side. • Date/Time is the factory default setting for Right side.
<p>Displayed Information</p> <ul style="list-style-type: none"> Waste Toner Bottle Paper Jam Load Paper Service Errors 	<p>Customize the displayed information for certain menus.</p> <p>Select from the following options:</p> <ul style="list-style-type: none"> Display <ul style="list-style-type: none"> No Yes Message to Display <ul style="list-style-type: none"> Default Alternate Default <ul style="list-style-type: none"> [text entry] Alternate <ul style="list-style-type: none"> [text entry] <p>Note: No is the factory default setting for Display.</p>
<p>Home screen customization</p> <ul style="list-style-type: none"> Change language Search Held Jobs Held jobs USB Drive Profiles and Solutions Bookmarks Jobs by user Remote Operator Panel Background and Idle Screen Showroom Forms and Favorites Eco-Settings 	<p>Change the icons that appear on the home screen.</p> <p>For each icon, select from the following options:</p> <ul style="list-style-type: none"> Display Do Not Display

Use	To
Date Format [MM-DD-YYYY] [DD-MM-YYYY] [YYYY-MM-DD]	Format the date. Note: MM-DD-YYYY is the U.S. factory default setting. DD-MM-YYYY is the international factory default setting.
Time Format 12 hour 24 hour	Format the time. Note: 12 hour is the factory default setting.
Screen Brightness 20–100	Specify the brightness of the display. Note: 100 is the factory default setting.
Error Lighting On Off	Determine if indicator lights blink when the printer encounters errors. Note: On is the factory default setting.
Audio Feedback Button Feedback On Off Volume 1–10	Set the audio volume for the buttons. Notes: <ul style="list-style-type: none"> • On is the factory default setting for Button Feedback. • 5 is the factory default setting for Volume.
Show Bookmarks Yes No	Specify whether bookmarks are displayed from the Held Jobs area. Note: Yes is the factory default setting.
Web Page Refresh Rate 30–300	Specify the number of seconds between Embedded Web Server refreshes. Note: 120 is the factory default setting.
Contact Name	Specify a contact name for the printer.
Location	Specify the location of the printer. Note: The location is stored on the Embedded Web Server.
Alarms Alarm Control Cartridge Alarm Staple Alarm Hole Punch Alarm	Set an alarm when the printer requires user intervention. For each alarm type, select from the following options: Off Single Continuous Notes: <ul style="list-style-type: none"> • Single is the factory default setting for Alarm Control and Cartridge Alarm. This sounds several short beeps. • Off is the factory default setting for Staple Alarm and Hole Punch Alarm. • Continuous repeats several short beeps at a regular interval.

Use	To
Timeouts Standby Mode Disabled 1–240	Set the amount of time before the printer enters a lower power state. Note: 15 minutes is the factory default setting.
Timeouts Sleep Mode Disabled 1–240	Set the amount of time the printer waits after a job is printed before it goes into a reduced power state. Notes: <ul style="list-style-type: none"> • 20 minutes is the factory default setting. • Lower settings conserve more energy, but may require longer warm-up times. • Select the lowest setting if the printer shares an electrical circuit with room lighting. • Select a high setting if the printer is in constant use. Under most circumstances, this keeps the printer ready to print.
Timeouts Hibernate Timeout Disabled 1–3 hours 6 hours 1–3 days 1–2 weeks 1 month	Set the amount of time the printer waits before it enters Hibernate mode. Note: 3 days is the factory default setting.
Timeouts Screen Timeout 15–300	Set the amount of time before the display returns to a Ready state. Note: 30 seconds is the factory default setting.
Timeouts Print Timeout Disabled 1–255	Set the amount of time the printer waits to receive an end-of-job message before canceling the rest of the print job. Notes: <ul style="list-style-type: none"> • 90 seconds is the factory default setting. • When the timer expires, any partially printed page is printed, and then the printer checks to see if any new print jobs are waiting. • Print Timeout is available only when using PCL emulation.
Timeouts Wait Timeout Disabled 15–65535	Set the amount of time the printer waits for additional data before canceling a print job. Notes: <ul style="list-style-type: none"> • 40 seconds is the factory default setting. • Wait Timeout is available only when the printer is using PostScript emulation.

Use	To
Print Recovery Auto Continue Disabled 5–255	Let the printer automatically continue printing from certain offline situations when these are not resolved within the specified time period. Note: Disabled is the factory default setting.
Print Recovery Jam Recovery Auto On Off	Specify whether the printer reprints jammed pages. Notes: <ul style="list-style-type: none"> • Auto is the factory default setting. The printer reprints jammed pages unless the memory required to hold the pages is needed for other printer tasks. • On sets the printer to always reprint jammed pages. • Off sets the printer to never reprint jammed pages.
Print Recovery Page Protect Off On	Successfully print a page that may not have printed otherwise. Notes: <ul style="list-style-type: none"> • Off is the factory default setting. This prints a partial page when there is not enough memory to print the whole page. • On sets the printer to process the whole page so the entire page prints.
Timeouts Hibernate Timeout on Connection Hibernate Do Not Hibernate	Set the printer to hibernate mode when there is an active Ethernet connection. Note: Do Not Hibernate is the factory default setting.
Press Sleep Button Sleep Hibernate Do Nothing	Determine how the printer, while in idle state, reacts to a short press of the Sleep button. Note: Sleep is the factory default setting.
Press and Hold Sleep Button Do Nothing Sleep Hibernate	Determine how the printer, while in idle state, reacts to a long press of the Sleep button. Note: Do Nothing is the factory default setting.
Factory Defaults Do Not Restore Restore Now	Restore the printer factory default settings. Notes: <ul style="list-style-type: none"> • Do Not Restore is the factory default setting. • Restore Now sets all printer settings to the factory default settings except for the Network/Ports menu settings. All downloads stored in the RAM are deleted.

Flash Drive menu

Menu item	Description
Copies 1–999	Specifies a default number of copies for each print job Note: 1 is the factory default setting.
Paper Source Tray [x] MP Feeder Manual Paper Manuel Envelope	Sets a default paper source for all print jobs Note: Tray 1 (standard tray) is the factory default setting.
Color Color Black Only	Generates color outputs Note: Color is the factory default setting.
Collate On (1,2,1,2,1,2) Off (1,1,1,2,2,2)	Stacks the pages of a print job in sequence when printing multiple copies Note: On is the factory default setting.
Sides (Duplex) 1 sided 2 sided	Specifies whether prints are on one side or on both sides of the paper Note: 1 sided is the factory default setting.
Staple Off On	Specifies whether prints are stapled Notes: <ul style="list-style-type: none"> • Off is the factory default setting. • This menu appears only when a stapler is installed.
Hole Punch Off On	Specifies whether prints have punched holes Notes: <ul style="list-style-type: none"> • Off is the factory default setting. • This menu appears only when a puncher is installed.
Hole Punch Mode 2 holes 3 holes 4 holes	Determines the type of punch finishing performed on a printed output Notes: <ul style="list-style-type: none"> • 3 holes is the US factory default setting. 4 holes is the international factory default setting. • This menu appears only when a puncher is installed.
Duplex Binding Long Edge Short Edge	Defines the way duplex pages are bound and how the printing on the back of the page is oriented in relation to the printing on the front of the page Notes: <ul style="list-style-type: none"> • Long Edge is the factory default setting. Long edge assumes binding along the long edge of the page (left edge for portrait and top edge for landscape). • Short edge assumes binding along the short edge of the page (top edge for portrait and left edge for landscape).

Menu item	Description
Paper Saver Orientation Auto Landscape Portrait	Specifies the orientation of a multiple-page document Note: Auto is the factory default setting. The printer chooses between portrait and landscape.
Paper Saver Off 2-Up 3-Up 4-Up 6-Up 9-Up 12-Up 16-Up	Specifies that multiple-page images be printed on one side of a paper Notes: <ul style="list-style-type: none"> • Off is the factory default setting. • The number selected is the number of page images that will print per side.
Paper Saver Border None Solid	Prints a border on each page image when using Paper Saver Border Note: None is the factory default setting.
Paper Saver Ordering Horizontal Reverse Horizontal Reverse Vertical Vertical	Specifies the positioning of multiple-page images when using Paper Saver Ordering Notes: <ul style="list-style-type: none"> • Horizontal is the factory default setting. • Positioning depends on the number of page images and whether they are in portrait or landscape orientation.
Separator Sheets Off Between Copies Between Jobs Between Pages	Specifies whether blank separator sheets are inserted Notes: <ul style="list-style-type: none"> • Off is the factory default setting. • Between Copies inserts a blank sheet between each copy of a print job if Collation is set to On. If Collation is set to Off, then a blank page is inserted between each set of printed pages, such as after all page 1's and after all page 2's. • Between Jobs inserts a blank sheet between print jobs. • Between Pages inserts a blank sheet between each page of the print job. This setting is useful when printing transparencies or inserting blank pages in a document for notes.
Separator Sheet Source Tray [x] Manual Feeder	Specifies the paper source for separator sheets Notes: <ul style="list-style-type: none"> • Tray 1 (standard tray) is the factory default setting. • From the Paper menu, Configure MP must be set to Cassette in order for Manual Feeder to appear as a menu setting.
Blank Pages Do Not Print Print	Specifies whether blank pages are inserted in a print job Note: Do Not Print is the factory default setting.

Setup menu

Use	To
Printer Language PCL Emulation PS Emulation	Set the default printer language. Notes: <ul style="list-style-type: none"> • PS Emulation is the factory default setting. PS Emulation uses a PS interpreter for processing print jobs. • PCL Emulation uses a PCL interpreter for processing print jobs. • This does not prevent a software program from sending print jobs that use another printer language.
Print Area Normal Fit To Page Whole Page	Set the logical and physical printable area. Note: Normal is the factory default setting. When attempting to print data in the non-printable area defined by the Normal setting, the printer clips the image.
Printer Usage Max Yield Max Speed	Set color toner use in printing. Note: Max Yield is the factory default setting.
Black Only Mode On Off	Set the printer to print text and graphics using only the black toner cartridge. Notes: <ul style="list-style-type: none"> • Off is the factory default setting. • This does not affect the ability of the printer to generate color output from flash drive print jobs.
Resource Save On Off	Specify how the printer handles temporary downloads, such as fonts and macros stored in the RAM, when the printer receives a job that requires more than the available memory. Note: Off is the factory default setting. This sets the printer to retain the downloads only until memory is needed. Downloads are deleted in order to process print jobs.
Print All Order Alphabetical Oldest First Newest First	Specify the order in which confidential and held jobs are printed when Print All is selected. Note: Alphabetical is the factory default setting.

Job Accounting menu

Note: This menu item appears only if a formatted, non-defective printer hard disk is installed. The printer hard disk cannot be read/write- or write-protected.

Menu item	Description
Job Accounting Log Off On	Determines if the printer creates a log of the print jobs it receives Note: Off is the factory default setting.

Menu item	Description
Job Accounting Utilities	Lets you print and delete log files or export them to a flash drive
Accounting Log Frequency Monthly Weekly	Determines how often a log file is created Note: Monthly is the factory default setting.
Log Action at End of Frequency None E-mail Current Log E-mail & Delete Current Log Post Current Log Post & Delete Current Log	Determines how the printer responds when the frequency threshold expires Note: None is the factory default setting.
Disk Near Full Level 1–99 Off	Specifies the maximum size of the log file before the printer executes the Disk Near Full Action Note: 5MB is the factory default setting.
Disk Near Full Action None E-mail Current Log E-mail & Delete Current Log E-mail & Delete Oldest Log Post Current Log Post & Delete Current Log Post & Delete Oldest Log Delete Current Log Delete Oldest Log Delete All Logs Delete All But Current	Determines how the printer responds when the printer hard disk is nearly full Notes: <ul style="list-style-type: none"> • None is the factory default setting. • The value defined in Disk Near Full Level determines when this action is triggered.
Disk Full Action None E-mail & Delete Current Log E-mail & Delete Oldest Log Post & Delete Current Log Post & Delete Oldest Log Delete Current Log Delete Oldest Log Delete All Logs Delete All But Current	Determines how the printer responds when disk usage reaches the maximum limit (100MB) Note: None is the factory default setting.
URL to Post Logs	Determines where the printer posts job accounting logs
E-mail Address to Send Logs	Specifies the e-mail address to which the device sends job accounting logs
Log File Prefix	Note: The current host name defined in the TCP/IP menu is used as the default log file prefix.

Finishing menu

Menu item	Description
Sides (Duplex) 1 sided 2 sided	Specifies whether duplex (2-sided) printing is set as the default for all print jobs Notes: <ul style="list-style-type: none"> • 1 sided is the factory default setting. • You can set 2-sided printing from the software program. For Windows users, click File > Print, and then click Properties, Preferences, Options, or Setup. For Macintosh users, choose File > Print, and then adjust the settings from the print dialog and pop-up menus.
Duplex Binding Long Edge Short Edge	Defines the way duplexed pages are bound and how the printing on the back of the page is oriented in relation to the printing on the front of the page Notes: <ul style="list-style-type: none"> • Long Edge is the factory default setting. Long edge assumes binding along the long edge of the page (left edge for portrait and top edge for landscape). • Short edge assumes binding along the short edge of the page (top edge for portrait and left edge for landscape).
Copies 1–999	Specifies the default number of copies for each print job Note: 1 is the factory default setting.
Blank Pages Do Not Print Print	Specifies whether blank pages are inserted in a print job Note: Do Not Print is the factory default setting.
Collate Off (1,1,1,2,2,2) On (1,2,1,2,1,2)	Stacks the pages of a print job in sequence when printing multiple copies Notes: <ul style="list-style-type: none"> • Off is the factory default setting. • On stacks the print job in sequence.
Separator Sheets Off Between Copies Between Jobs Between Pages	Specifies whether blank separator sheets are inserted Notes: <ul style="list-style-type: none"> • Off is the factory default setting. • Between Copies inserts a blank sheet between each copy of a print job if Collate is set to On. If Collate is set to Off, then a blank page is inserted between each set of printed pages, such as after all page 1's and after all page 2's. • Between Jobs inserts a blank sheet between print jobs. • Between Pages inserts a blank sheet between each page of a print job. This setting is useful when printing transparencies or when inserting blank pages in a document.
Separator Source Tray [x] Manual Feeder	Specifies the paper source for separator sheets Notes: <ul style="list-style-type: none"> • Tray 1 (standard tray) is the factory default setting. • From the Paper menu, Configure MP must be set to Cassette for Manual Feeder to appear as a menu setting.

Menu item	Description
Paper Saver Off 2-Up 3-Up 4-Up 6-Up 9-Up 12-Up 16-Up	Specifies that multiple-page images be printed on one side of a paper Notes: <ul style="list-style-type: none"> • Off is the factory default setting. • The number selected is the number of page images that will print per side.
Paper Saver Ordering Horizontal Reverse Horizontal Reverse Vertical Vertical	Specifies the positioning of multiple-page images Notes: <ul style="list-style-type: none"> • Horizontal is the factory default setting. • Positioning depends on the number of page images and whether they are in portrait or landscape orientation.
Paper Saver Orientation Auto Landscape Portrait	Specifies the orientation of a multiple-page document Note: Auto is the factory default setting. The printer chooses between portrait and landscape.
Paper Saver Border None Solid	Prints a border on each page image Note: None is the factory default setting.
Staple Job Off On	Specifies whether prints are stapled Note: This menu appears only when a stapler is installed.
Hole Punch Off On	Specifies whether prints have punched holes Note: This menu appears only when a puncher is installed.
Hole Punch Mode 2 holes 3 holes 4 holes	Determines the type of punch finishing performed on a print Notes: <ul style="list-style-type: none"> • 3 holes is the US factory default setting. 4 holes is the international factory default setting. • This menu appears only when a puncher is installed.
Offset Pages None Between Copies Between Jobs	Offsets pages at certain instances Notes: <ul style="list-style-type: none"> • None is the factory default setting. • Between Copies offsets each copy of a print job if Collate is set to On. If Collate is set to Off, then each set of printed pages are offset, such as all page 1's and all page 2's. • Between Jobs sets the same offset position for the entire print job regardless of the number of copies printed. • This menu appears only when a stapler is installed.

Quality menu

Menu item	Description
Print Mode Color Black Only	Specifies whether images are printed in monochrome grayscale or in color Notes: <ul style="list-style-type: none"> • Color is the factory default setting. • The printer driver is capable of overriding this setting.
Color Correction Auto Off Manual	Adjusts the color output on the printed page Notes: <ul style="list-style-type: none"> • Auto is the factory default setting. Auto applies different color conversion tables to each object on the printed page. • Manual allows customization of color tables using the settings available from the Manual Color menu. • Due to the differences in additive and subtractive colors, certain colors that appear on computer screens are impossible to duplicate on a printed page.
Print Resolution 4800 CQ 1200 dpi	Specifies the printed output resolution Notes: <ul style="list-style-type: none"> • 4800 CQ is the factory default setting. • 1200 dpi provides the highest resolution output, and increases gloss.
Toner Darkness 1–5	Lightens or darkens the printed output Notes: <ul style="list-style-type: none"> • 4 is the factory default setting. • Selecting a smaller number can help conserve toner. • If Print Mode is set to Black Only, a setting of 5 increases toner density and darkness for all print jobs. • If Print Mode is set to Color, a setting of 5 is the same as a setting of 4.
Enhance Fine Lines Off On	Enables a print mode preferable for files such as architectural drawings, maps, electrical circuit diagrams, and flow charts Notes: <ul style="list-style-type: none"> • Off is the factory default setting. • You can set this option from the software program. For Windows users, click File > Print, and then click Properties, Preferences, Options, or Setup. For Macintosh users, choose File > Print, and then adjust the settings from the print dialog and pop-up menus. • To set this option using the Embedded Web Server, type the network printer IP address in a browser window.
Color Saver Off On	Reduces the amount of toner used for graphics and images. The amount of toner used for text is not reduced. Notes: <ul style="list-style-type: none"> • Off is the factory default setting. • On overrides Toner Darkness settings.

Menu item	Description
RGB Brightness -6 to 6	Adjusts brightness in color outputs Notes: <ul style="list-style-type: none"> • 0 is the factory default setting. • This does not affect files where CMYK color specifications are used.
RGB Contrast 0–5	Adjusts contrast in color outputs Notes: <ul style="list-style-type: none"> • 0 is the factory default setting. • This does not affect files where CMYK color specifications are used.
RGB Saturation 0–5	Adjusts saturation in color outputs Notes: <ul style="list-style-type: none"> • 0 is the factory default setting. • This does not affect files where CMYK color specifications are used.
Color Balance Cyan -5 to 5 Magenta -5 to 5 Yellow -5 to 5 Black -5 to 5 Reset Defaults	Adjusts color in printed output by increasing or decreasing the amount of toner used for each color Note: 0 is the factory default setting.
Color Samples sRGB Display sRGB Vivid Display—True Black Vivid Off—RGB US CMYK Euro CMYK Vivid CMYK Off—CMYK	Prints sample pages for each of the RGB and CMYK color conversion tables used in the printer Notes: <ul style="list-style-type: none"> • Selecting any setting prints the sample. • Color samples consist of a series of colored boxes along with the RGB or CMYK combination that creates the color observed. These pages can be used to help decide which combinations to use to get the desired printed output. • From a browser window, type the IP address of the printer to access a complete list of color sample pages from the Embedded Web Server.

Menu item	Description
<p>Manual Color</p> <ul style="list-style-type: none"> RGB Image <ul style="list-style-type: none"> sRGB Display Display—True Black sRGB Vivid Off Vivid RGB Text <ul style="list-style-type: none"> sRGB Vivid Off Vivid sRGB Display Display—True Black RGB Graphics <ul style="list-style-type: none"> sRGB Vivid Off Vivid sRGB Display Display—True Black 	<p>Customizes the RGB color conversions</p> <p>Notes:</p> <ul style="list-style-type: none"> • sRGB Display is the factory default setting for RGB Image. This applies a color conversion table to an output that matches the colors displayed on a computer monitor. • sRGB Vivid is the factory default setting for RGB Text and RGB Graphics. sRGB Vivid applies a color table that increases saturation. This is preferred for business graphics and text. • Vivid applies a color conversion table that produces brighter, more saturated colors. • Display—True Black applies a color conversion table that uses only black toner for neutral gray colors.
<p>Manual Color</p> <ul style="list-style-type: none"> CMYK Image <ul style="list-style-type: none"> US CMYK Euro CMYK Vivid CMYK Off CMYK Text <ul style="list-style-type: none"> US CMYK Euro CMYK Vivid CMYK Off CMYK Graphics <ul style="list-style-type: none"> US CMYK Euro CMYK Vivid CMYK Off 	<p>Customizes the CMYK color conversions</p> <p>Notes:</p> <ul style="list-style-type: none"> • US CMYK is the US factory default setting. US CMYK applies a color conversion table that tries to produce output that matches SWOP color output. • Euro CMYK is the international factory default setting. Euro CMYK applies a color conversion table that tries to produce output that matches EuroScale color output. • Vivid CMYK increases color saturation for the US CMYK color conversion table.
<p>Spot Color Replacement</p>	<p>Provides the capability to assign specific CMYK values to named spot colors</p>
<p>Color Adjust</p>	<p>Initiates a recalibration of color conversion tables and allows the printer to make adjustments for color variations in output</p> <p>Notes:</p> <ul style="list-style-type: none"> • Calibrating starts when the menu is selected. Calibrating appears on the display until the process is finished. • Color variations in output sometimes result from changeable conditions such as room temperature and humidity. Color adjustments are made on printer algorithms. Color alignment is also recalibrated in this process.

Utilities menu

Use	To
Format Flash Yes No	Format the flash memory. Warning—Potential Damage: Do not turn off the printer while the flash memory is being formatted. Notes: <ul style="list-style-type: none"> • Yes deletes all data stored in flash memory. • No cancels the format request. • Flash memory refers to the memory added by installing a flash memory card in the printer. • The flash memory option card must not be read/write- or write-protected. • This menu item appears only when a non-defective flash memory card is installed.
Activate Hex Trace	Assist in isolating the source of a print job problem. Notes: <ul style="list-style-type: none"> • When activated, all data sent to the printer is printed in hexadecimal and character representation, and control codes are not executed. • To exit or deactivate Hex Trace, turn off or reset the printer.
Coverage Estimator Off On	Provide an estimate of the percentage coverage of toner on a page. The estimate is printed on a separate page at the end of each print job. Note: Off is the factory default setting.

XPS menu

Menu item	Description
Print Error Pages Off On	Prints a page containing information on errors, including XML markup errors Note: Off is the factory default setting.

PDF menu

Menu item	Description
Scale to Fit No Yes	Scales page content to fit the selected paper size Note: No is the factory default setting.
Annotations Do Not Print Print	Prints annotations in a PDF Note: Do Not Print is the factory default setting.

PostScript menu

Use	To
Print PS Error On Off	Print a page containing the PostScript error. Note: Off is the factory default setting.
Lock PS Startup Mode On Off	Allow users to disable the SysStart file. Note: Off is the factory default setting.
Image Smoothing On Off	Enhance the contrast and sharpness of low-resolution images and smoothen their color transitions. Notes: <ul style="list-style-type: none"> Off is the factory default setting. Image Smoothing has no effect on images that are 300 dpi or higher in resolution.

PCL Emul menu

Menu item	Description
Font Source Resident Disk Download Flash All	Specifies the set of fonts used by the Font Name menu item Notes: <ul style="list-style-type: none"> Resident is the factory default setting. It shows the factory default set of fonts downloaded in RAM. Flash and Disk settings show all fonts resident in that option. Make sure the flash option is properly formatted and is not read/write-, or password-protected. Download shows all the fonts downloaded in RAM. All shows all fonts available to any option.
Font Name RO Courier	Identifies a specific font and where it is stored Note: RO Courier is the factory default setting. The RO Courier format shows the font name, font ID, and storage location in the printer. The font source abbreviation is R for Resident, F for Flash, K for Disk, and D for Download.
Symbol Set 10U PC-8 12U PC-850	Specifies the symbol set for each font name Notes: <ul style="list-style-type: none"> 10U PC-8 is the US factory default setting. 12U PC-850 is the international factory default setting. A symbol set is a set of alphabetical and numeric characters, punctuation, and special symbols. Symbol sets support the different languages or specific programs such as math symbols for scientific text. Only the supported symbol sets are shown.

Menu item	Description
PCL Emulation Settings Point Size 1.00–1008.00	Changes the point size for scalable typographic fonts Notes: <ul style="list-style-type: none"> • 12 is the factory default setting. • Point Size refers to the height of the characters in the font. One point equals approximately 1/72 of an inch. • Point sizes can be increased or decreased in 0.25-point increments.
PCL Emulation Settings Pitch 0.08–100	Specifies the font pitch for scalable monospaced fonts Notes: <ul style="list-style-type: none"> • 10 is the factory default setting. • Pitch refers to the number of fixed-space characters per inch (cpi). • Pitch can be increased or decreased in 0.01-cpi increments. • For non-scalable monospaced fonts, the pitch appears on the display but cannot be changed.
PCL Emulation Settings Orientation Portrait Landscape	Specifies the orientation of text and graphics on a page Notes: <ul style="list-style-type: none"> • Portrait is the factory default setting. • Portrait prints text and graphics parallel to the short edge of the page. • Landscape prints text and graphics parallel to the long edge of the page.
PCL Emulation Settings Lines per Page 1–255	Specifies the number of lines that print on each page Notes: <ul style="list-style-type: none"> • 60 is the US factory default setting. 64 is the international default setting. • The printer sets the amount of space between each line based on the Lines per Page, Paper Size, and Orientation settings. Select the desired Paper Size and Orientation before setting Lines per Page.
PCL Emulation Settings A4 Width 198 mm 203 mm	Sets the printer to print on A4-size paper Notes: <ul style="list-style-type: none"> • 198 mm is the factory default setting. • The 203-mm setting sets the width of the page to allow the printing of eighty 10-pitch characters.
PCL Emulation Settings Auto CR after LF Off On	Specifies whether the printer automatically performs a carriage return (CR) after a line feed (LF) control command Note: Off is the factory default setting.
PCL Emulation Settings Auto LF after CR Off On	Specifies whether the printer automatically performs a line feed (LF) after a carriage return (CR) control command Note: Off is the factory default setting.

Menu item	Description
<p>Tray Renumber</p> <p>Assign MP Feeder</p> <p>Off</p> <p>None</p> <p>0–199</p> <p>Assign Tray [x]</p> <p>Off</p> <p>None</p> <p>0–199</p> <p>Assign Manual Paper</p> <p>Off</p> <p>None</p> <p>0–199</p> <p>Assign Manual Env</p> <p>Off</p> <p>None</p> <p>0–199</p>	<p>Configures the printer to work with printer software or programs that use different source assignments for trays, drawers, and feeders</p> <p>Notes:</p> <ul style="list-style-type: none"> • Off is the factory default setting. • None ignores the Select Paper Feed command. This selection is displayed only when it is selected by the PCL 5e interpreter. • 0–199 allows a custom setting to be assigned.
<p>Tray Renumber</p> <p>View Factory Defaults</p> <p>MPF Default = 8</p> <p>T1 Default = 1</p> <p>T2 Default = 4</p> <p>T3 Default = 5</p> <p>T4 Default = 20</p> <p>T5 Default = 21</p> <p>Env Default = 6</p> <p>MPaper Default = 2</p> <p>MEnv Default = 3</p>	<p>Displays the factory default setting assigned to each tray, drawer, or feeder</p>
<p>Tray Renumber</p> <p>Restore Defaults</p> <p>Yes</p> <p>No</p>	<p>Returns all tray, drawer, and feeder assignments to the factory default settings</p>

HTML menu

Menu Item		Description
Font Name Albertus MT Antique Olive Apple Chancery Arial MT Avant Garde Bodoni Bookman Chicago Clarendon Cooper Black Copperplate Coronet Courier Eurostile Garamond Geneva Gill Sans Goudy Helvetica Hoefler Text Intl CG Times Intl Courier Intl Univers	Joanna MT Letter Gothic Lubalin Graph Marigold MonaLisa Recut Monaco New CenturySbk New York Optima Oxford Palatino StempelGaramond Taffy Times TimesNewRoman Univers Zapf Chancery NewSansMTCS NewSansMTCT New SansMTJA NewSansMTKO	Sets the default font for HTML documents Note: The Times font is used in HTML documents that do not specify a font.

Menu item	Description
Font Size 1–255 pt	Sets the default font size for HTML documents Notes: <ul style="list-style-type: none"> • 12 pt is the factory default setting. • Font size can be increased in 1-point increments.
Scale 1–400%	Scales the default font for HTML documents Notes: <ul style="list-style-type: none"> • 100% is the factory default setting. • Scaling can be increased in 1% increments.
Orientation Portrait Landscape	Sets the page orientation for HTML documents Note: Portrait is the factory default setting.

Menu item	Description
Margin Size 8–255 mm	Sets the page margin for HTML documents Notes: <ul style="list-style-type: none"> • 19 mm is the factory default setting. • Margin size can be increased in 1-mm increments.
Backgrounds Print Do Not Print	Specifies whether to print backgrounds on HTML documents Note: Print is the factory default setting.

Image menu

Menu item	Description
Auto Fit On Off	Selects the optimal paper size, scaling, and orientation Note: On is the factory default setting. It overrides scaling and orientation settings for some images.
Invert Off On	Inverts bi-tonal monochrome images Notes: <ul style="list-style-type: none"> • Off is the factory default setting. • This setting does not apply to GIF or JPEG images.
Scaling Best Fit Anchor Center Fit Height/Width Fit Height Fit Width Anchor Top Left	Scales the image to fit the selected paper size Notes: <ul style="list-style-type: none"> • Best Fit is the factory default setting. • When Auto Fit is set to On, Scaling is automatically set to Best Fit.
Orientation Portrait Landscape Rev Portrait Rev Landscape	Sets the image orientation Note: Portrait is the factory default setting.

Help menu

Menu item	Description
Print All Guides	Prints all the guides
Color Quality	Provides information about solving color quality issues
Print Quality	Provides information about solving print quality issues
Printing Guide	Provides information about loading paper and other specialty media
Media Guide	Provides a list of the paper sizes supported in trays and feeders

Menu item	Description
Print Defects Guide	Provides a template for determining the cause of repeating print quality defects, and lists settings that can be used to adjust print quality
Menu Map	Provides a list of the control panel menus and settings
Information Guide	Provides help in locating additional information
Connection Guide	Provides information about connecting the printer locally (USB) or to a network
Moving Guide	Provides instructions for safely moving the printer
Supplies Guide	Provides information about ordering supplies

Securing the memory before moving the printer

Statement of Volatility

Your printer contains various types of memory that can store device and network settings, and user data.

Type of memory	Description
Volatile memory	Your printer uses standard <i>random access memory</i> (RAM) to temporarily buffer user data during simple print jobs.
Non-volatile memory	Your printer may use two forms of non-volatile memory: EEPROM and NAND (flash memory). Both types are used to store operating system, device settings, and network information.

Erase the content of any installed printer memory in the following circumstances:

- The printer is being decommissioned.
- The printer is being moved to a different department or location.
- The printer is being serviced by someone from outside your organization.
- The printer is being removed from your premises for service.
- The printer is being sold to another organization.

Erasing volatile memory

The volatile memory (RAM) installed in your printer requires a power source to retain information. To erase the buffered data, simply turn off the printer.

Erasing non-volatile memory

Erase individual settings, device and network settings, security settings, and embedded solutions by following these steps:

- 1 Turn off the printer.
- 2 Hold down **2** and **6** on the keypad while turning the printer on. Release the buttons only when the screen with the progress bar appears.

The printer performs a power-on sequence, and then the Configuration menu appears. When the printer is fully turned on, a list of functions appears on the printer display.

- 3 Press the up or down arrow button until **Wipe All Settings** appears.

The printer will restart several times during this process.

Note: Wipe All Settings securely removes device settings, solutions, jobs, and passwords from the printer memory.

- 4 Navigate to:

Back > Exit Config Menu

The printer will perform a power-on reset, and then return to normal operating mode.

Erasing printer hard disk memory

Notes:

- Some printer models may not have a printer hard disk installed.
- Configuring Erase Temporary Data Files in the printer menus lets you remove residual confidential material left by print jobs by securely overwriting files that have been marked for deletion.

Using the printer control panel

- 1 Turn off the printer.
- 2 Hold down **2** and **6** while turning the printer on. Release the buttons only when the screen with the progress bar appears.

The printer performs a power-on sequence, and then the Configuration menu appears. When the printer is fully turned on, a list of functions appears on the printer display.

- 3 Press the up or down arrow button until **Wipe Disk** appears, and then select one of the following:
 - **Wipe disk (fast)**—This lets you overwrite the disk with all zeroes in a single pass.
 - **Wipe disk (secure)**—This lets you overwrite the disk with random bit patterns several times, followed by a verification pass. A secure overwrite is compliant with the DoD 5220.22-M standard for securely erasing data from a hard disk. Highly confidential information should be wiped using this method.
- 4 Press the up or down arrow button until **Yes** appears, and then proceed with disk wiping.

Notes:

- A status bar will indicate the progress of the disk wiping task.
- Disk wiping can take from several minutes to more than an hour, during which the printer will be unavailable for other user tasks.

- 5 Navigate to:

Back > Exit Config Menu

The printer will perform a power-on reset, and then return to normal operating mode.

Configuring printer hard disk encryption

Note: Your printer may not have a hard disk installed.

Enabling hard disk encryption helps prevent the loss of sensitive data in the event your printer or its hard disk is stolen.

Using the Embedded Web Server

- 1 From the Embedded Web Server, click **Settings > Security > Disk Encryption**.

Note: Disk Encryption appears in the Security Menu only when a formatted, non-defective printer hard disk is installed.

- 2 From the Disk encryption menu, select **Enable**.

Notes:

- Enabling disk encryption will erase the content of the printer hard disk.
- Disk encryption can take from several minutes to more than an hour, during which the printer will be unavailable for other user tasks.

3 Click **Submit**.

Using the printer control panel

1 Turn off the printer.

2 Hold down **2_{ABC}** and **6_{MNO}** while turning the printer on. Release the buttons only when the screen with the progress bar appears.

The printer performs a power-on sequence, and then the Configuration menu appears. Once the printer is fully powered up, the touch screen displays a list of functions, instead of standard home screen icons such as Copy or Fax.

3 Touch **Disk Encryption > Enable**.

Note: Enabling disk encryption will erase the contents of the printer hard disk.

4 Touch **Yes** to proceed with disk wiping.

A status bar will indicate the progress of the disk wiping task. After the disk has been encrypted, the printer will return to the Enable/Disable screen.

Notes:

- Do not turn off the printer during the encryption process. Doing so may result in loss of data.
- Disk encryption can take from several minutes to more than an hour, during which the printer will be unavailable for other user tasks.


5 Touch **Back**, and then **Exit Config Menu**.

The printer will power-on reset, and then return to normal operating mode.

Maintaining the printer

Cleaning the exterior of the printer

- 1 Make sure that the printer is turned off and unplugged from the wall outlet.

 **CAUTION—SHOCK HAZARD:** To avoid the risk of electric shock when cleaning the exterior of the printer, unplug the power cord from the wall outlet and disconnect all cables to the printer before proceeding.

- 2 Remove paper from the standard exit bin.
- 3 Dampen a clean, lint-free cloth with water.

Warning—Potential Damage: Do not use household cleaners or detergents, as they may damage the finish of the printer.

- 4 Wipe only the outside of the printer, making sure to include the standard exit bin.

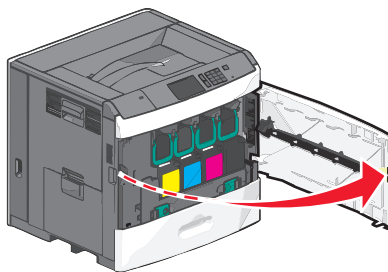
Warning—Potential Damage: Using a damp cloth to clean the interior may cause damage to your printer.

- 5 Make sure the paper support and standard exit bin are dry before beginning a new print job.

Cleaning the printhead lenses

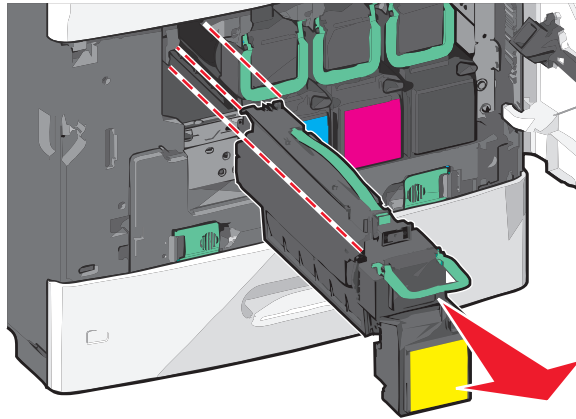
Clean the printhead lenses when you encounter print quality problems.

- 1 Open the front door.

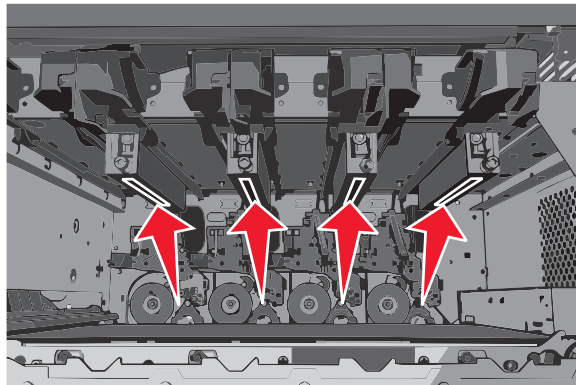


- 2 Remove all print cartridges.

Warning—Potential Damage: Do not touch the shiny area on the photoconductor drum. Doing so can damage the photoconductor.



3 Locate the four printhead lenses.

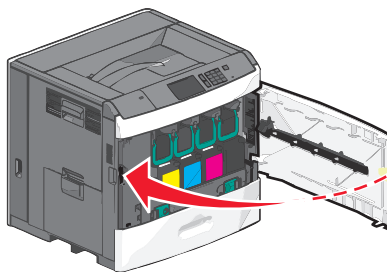


4 Clean the lenses using compressed air.

Warning—Potential Damage: Do not touch the printhead lenses.

5 Reinstall the print cartridges.

6 Close the front door.



Storing supplies

Choose a cool, clean storage area for the printer supplies. Store supplies right side up in their original packing until you are ready to use them.

Do not expose supplies to:

- Direct sunlight
- Temperatures above 35°C (95°F)

- High humidity above 80%
- Salty air
- Corrosive gases
- Heavy dust

Checking the status of supplies

A message appears on the display when a replacement supply item is needed or when maintenance is required.

Checking the status of supplies from the printer control panel

From the home screen, touch **Status/Supplies > View Supplies**.

Checking the status of supplies from a network computer

Note: The computer must be connected to the same network as the printer.

- 1 Type the printer IP address into the address field of your Web browser.

If you do not know the IP address of the printer, you can:

- View the IP address on the printer control panel in the TCP/IP section under the Networks/Ports menu.
- Print a network setup page or the menu settings pages and locate the IP address in the TCP/IP section.

- 2 Click **Device Status**.

The Device Status page appears, displaying a summary of supply levels.

Ordering supplies

To order supplies in the U.S., contact Lexmark at 1-800-539-6275 for information about Lexmark authorized supplies dealers in your area. In other countries or regions, go to www.lexmark.com or contact the place where you purchased the printer.

The Lexmark Return Program lets you purchase Lexmark supplies at a discounted price in exchange for your agreement to use the supplies only once and return them only to Lexmark for remanufacturing or recycling.

Ordering a print cartridge

When **88 [color] cartridge low** or **88 [color] cartridge nearly low** appears, order a new cartridge.

Estimated cartridge yield is based on the ISO/IEC 19798 standard. Extremely low print coverage (less than 1.25%) for extended periods of time may negatively affect actual yield and may cause cartridge parts to fail prior to exhaustion of toner.

Part name	Lexmark Return Program Cartridge	Regular cartridge
Cyan Print Cartridge	C792A1CG	C792A2CG
Cyan Extra High Yield Print Cartridge	C792X1CG	C792X2CG
Magenta Print Cartridge	C792A1MG	C792A2MG
Magenta Extra High Yield Print Cartridge	C792X1MG	C792X2MG
Yellow Print Cartridge	C792A1YG	C792A2YG
Yellow Extra High Yield Print Cartridge	C792X1YG	C792X2YG
Black Print Cartridge	C792A1KG	C792A2KG
Black Extra High Yield Print Cartridge	C792X1KG	C792X2KG

Ordering a fuser or a transfer module

When **80 Fuser Life Warning** or **83 Transfer Module Life Warning** appears, order a replacement fuser or a transfer module.

When **80 Replace Fuser** or **83 Replace Transfer Module** appears, install the new fuser or the new transfer module. For installation information, see the documentation that came with the part.

Part name	Part number
Fuser	40X7102 (100 volts) 40X7100 (115 volts) 40X7101 (230 volts)
Transfer Module	40X7103

Ordering a waste toner bottle

When **82 Waste toner bottle nearly full** appears, order a replacement waste toner bottle.

When **82 Replace waste toner bottle** appears, replace the waste toner bottle.

Note: Waste toner bottle reuse is not recommended.

Part name	Part number
Waste toner bottle	C792X77G

Ordering staple cartridges

When **Staples Low** or **Staples Empty** appears, order the specified staple cartridge.

For more information, see the illustrations inside the stapler door.

Part name	Part number
Staple Cartridges—3 pack (Since a pack contains 5,000 staples, a 3-pack contains 15,000 staples.)	25A0013

Ordering a cleaning kit

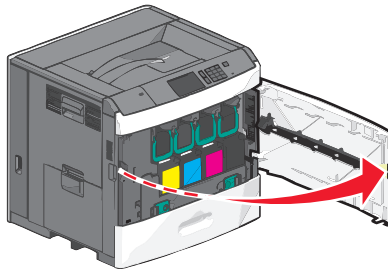
Use the wet and dry wipes from the cleaning kit to clean the touch screen.

Part name	Part number
Cleaning kit (wet and dry wipes)	40X0392

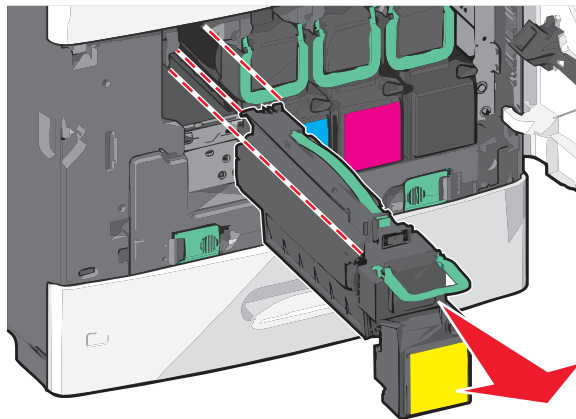
Replacing supplies

Replacing a print cartridge

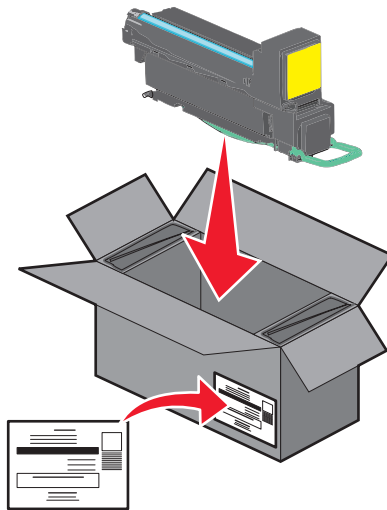
- 1 Open the front door.



- 2 Lift the green handle and pull the print cartridge. Grasp the top handle and lift the cartridge out of the machine.

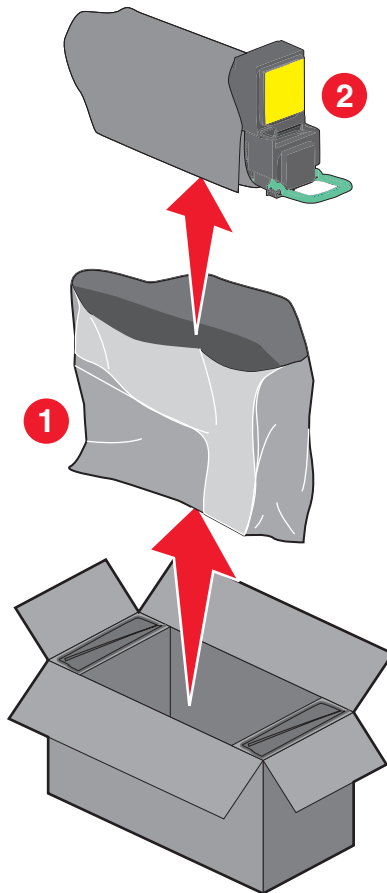


- 3 Place the old cartridge in the replacement cartridge shipping box, and then attach the return label to the box for shipping.

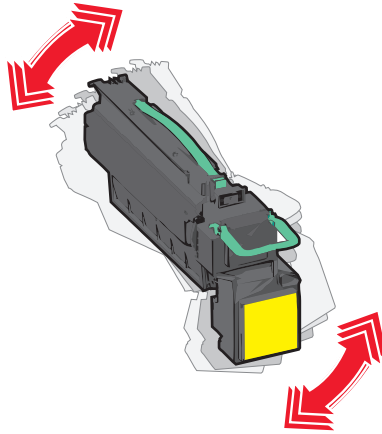


- 4 Unpack a new print cartridge.

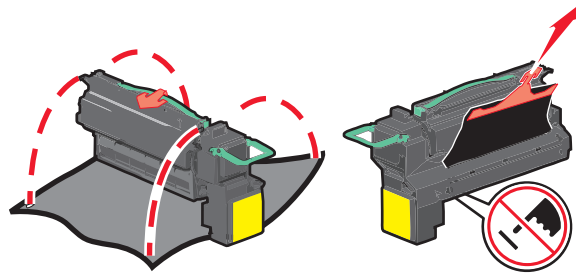
Warning—Potential Damage: Be careful not to touch the photoconductor drum. Doing so may affect the print quality of future print jobs.



- 5 Shake the new cartridge front-to-back and side-to-side to evenly distribute the toner.

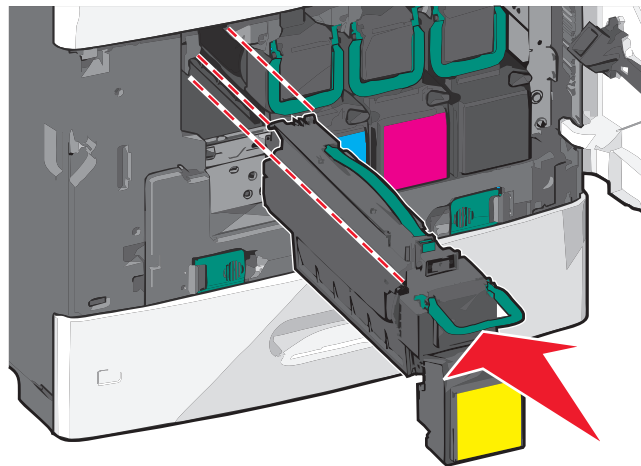


- 6 Remove the red packing strip from the new cartridge.

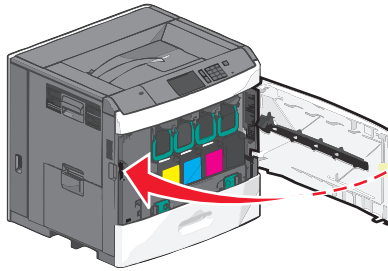


- 7 Insert the new cartridge into the printer, and then push the green handle back in place.

Note: Make sure the cartridge is fully pushed in.



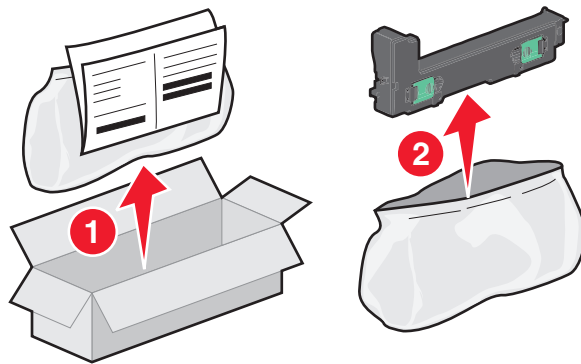
- 8 Close the front door.



Replacing the waste toner bottle

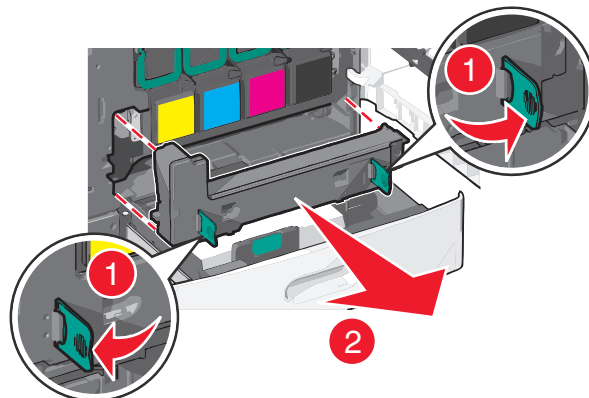
Replace the waste toner bottle when **82.xx Replace waste toner bottle** appears. The printer will not continue printing until the waste toner bottle is replaced.

- 1 Remove the replacement waste toner bottle from its shipping box, and then unpack it.



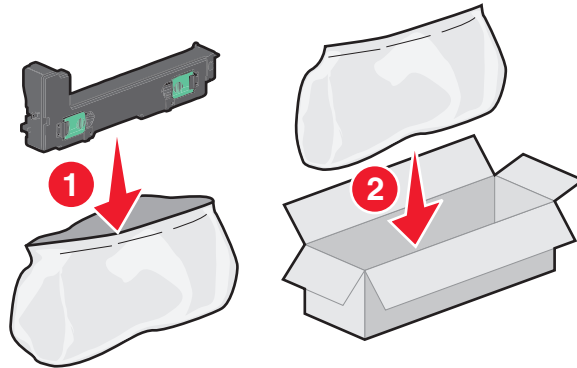
- 2 Open the printer front door, and then open tray 1.

- 3 Pull the green tabs sideways, and then grasp and pull the tabs with both hands to remove the waste toner bottle.

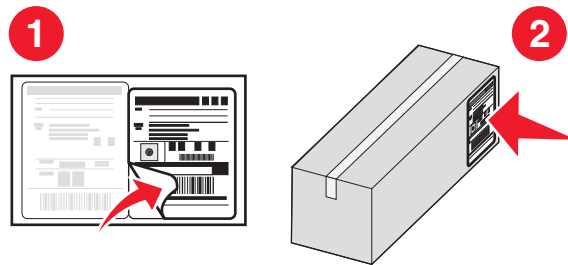


- 4 Place the waste toner bottle in the recycling bag.

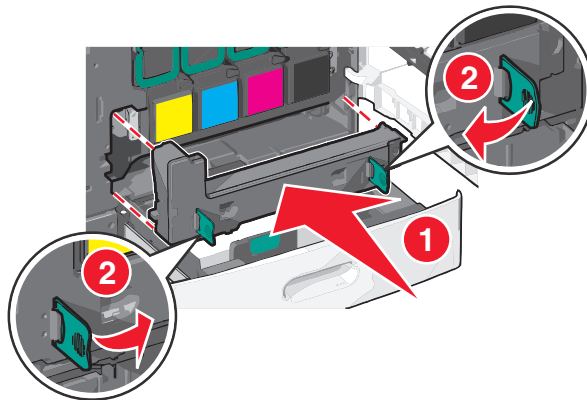
- 5 Place the bag into the shipping box you removed the replacement part from.



- 6 Peel the recycling label off, and place it on the shipping box.





- 7 Insert the new waste toner bottle into the printer.



- 8 Close tray 1, and then close the front door.

Moving the printer

Before moving the printer

-  **CAUTION—POTENTIAL INJURY:** The printer weight is greater than 18 kg (40 lb) and requires two or more trained personnel to lift it safely.
-  **CAUTION—POTENTIAL INJURY:** Before moving the printer, follow these guidelines to avoid personal injury or printer damage:

- Turn the printer off using the power switch, and then unplug the power cord from the wall outlet.
- Disconnect all cords and cables from the printer before moving it.
- Lift the printer off of the optional drawer and set it aside instead of trying to lift the drawer and printer at the same time.

Note: Use the handholds located on both sides of the printer to lift it off the optional drawer.

Warning—Potential Damage: Damage to the printer caused by improper moving is not covered by the printer warranty.

Moving the printer to another location

The printer and options can be safely moved to another location by following these precautions:

- Any cart used to move the printer must have a surface able to support the full footprint of the printer. Any cart used to move the options must have a surface able to support the dimensions of the options.
- Keep the printer in an upright position.
- Avoid severe jarring movements.

Shipping the printer

When shipping the printer, use the original packaging or call the place of purchase for a relocation kit.

Administrative support

Finding advanced networking and administrator information

This chapter covers basic administrative support tasks using the Embedded Web Server. For more advanced system support tasks, see the *Networking Guide* on the *Software and Documentation CD* or the *Embedded Web Server — Security: Administrator's Guide* on the Lexmark support Web site at <http://support.lexmark.com>.

Using the Embedded Web Server

If the printer is installed on a network, then the Embedded Web Server is available for a range of functions including:

- Viewing a virtual display of the printer control panel
- Checking the status of the printer supplies
- Configuring printer settings
- Configuring network settings
- Viewing reports

To access the Embedded Web Server for your printer:

- 1 Type the printer IP address into the address field of your Web browser.

Notes:

- If you do not know the IP address of the printer, then print a network setup page, and then locate the IP address in the TCP/IP section.
- If you are using a proxy server, then temporarily disable it to load the Embedded Web Server correctly.

- 2 Press **Enter**.

Checking the virtual display

- 1 Open an Embedded Web Server associated with your printer.

Type the printer IP address into the address field of your Web browser.

If you do not know the IP address of the printer, you can:

- View the IP address on the printer control panel in the TCP/IP section under the Networks/Ports menu.
- Print a network setup page or the menu settings pages and locate the IP address in the TCP/IP section.

- 2 Check the virtual display that appears in the top left corner of the screen.

The virtual display works as an actual display would work on a printer control panel, showing printer messages.

Checking the status of the printer

- 1 Type the printer IP address into the address field of your Web browser.

If you do not know the IP address of the printer, you can:

- View the IP address on the printer control panel in the TCP/IP section under the Networks/Ports menu.
- Print a network setup page or the menu settings pages and locate the IP address in the TCP/IP section.

2 Click **Device Status**.

The device status shows the following:

- Paper tray settings
- Level of toner in the print cartridge
- Percentage of life remaining in the maintenance kit
- Capacity measurements of certain printer parts

Setting up e-mail alerts

Configure the printer to send you e-mail alerts when the supplies are getting low or when the paper needs to be changed or added, or when there is a paper jam.

1 Type the printer IP address into the address field of your Web browser.

If you do not know the IP address of the printer, you can:

- View the IP address on the printer control panel in the TCP/IP section under the Networks/Ports menu.
- Print a network setup page or the menu settings pages and locate the IP address in the TCP/IP section.

2 Click **Settings**.

3 Under Other Settings, click **E-mail Alert Setup**.

4 Select the items for notification, and type the e-mail addresses.

5 Click **Submit**.

Note: For information on setting up the e-mail server, contact your system support person.

Viewing reports

You can view some reports from the Embedded Web Server. These reports are useful for assessing the status of the printer, network, and supplies.

1 Open a Web browser, and then type the printer IP address in the address field.

Notes:

- View the printer IP address in the TCP/IP section in the Network/Ports menu. The IP address appears as four sets of numbers separated by periods, such as 123.123.123.123.
- If you are using a proxy server, then temporarily disable it to load the Web page correctly.

2 Click **Reports**, and then click the type of report you want to view.

Restoring factory default settings

If you want to retain a list of the current menu settings for reference, then print a menu settings page before restoring the factory default settings.

Warning—Potential Damage: Restoring factory defaults returns most printer settings to the original factory default settings. Exceptions include the display language, custom sizes and messages, and network/port menu settings. All downloads stored in RAM are deleted. Downloads stored in flash memory or on a printer hard disk are not affected.

From the home screen, navigate to:

 > **Settings** > **General Settings** > **Factory Defaults** > **Restore Now** > 

Clearing jams

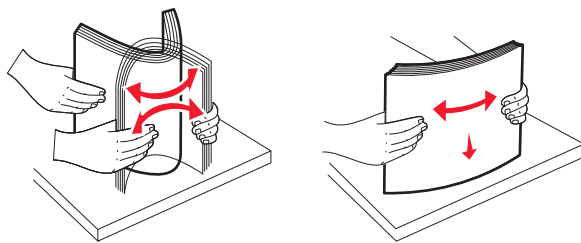
Avoiding jams

Paper tray recommendations

- Make sure the paper lies flat in the tray.
- Do not remove a tray while the printer is printing.
- Do not load a tray while the printer is printing. Load it prior to printing, or wait for a prompt to load it.
- Do not load too much paper. Make sure the stack height does not exceed the indicated maximum height.
- Make sure the guides in the tray or the multipurpose feeder are properly positioned and are not pressing too tightly against the paper or envelopes.
- Push the tray in firmly after loading paper.

Paper recommendations

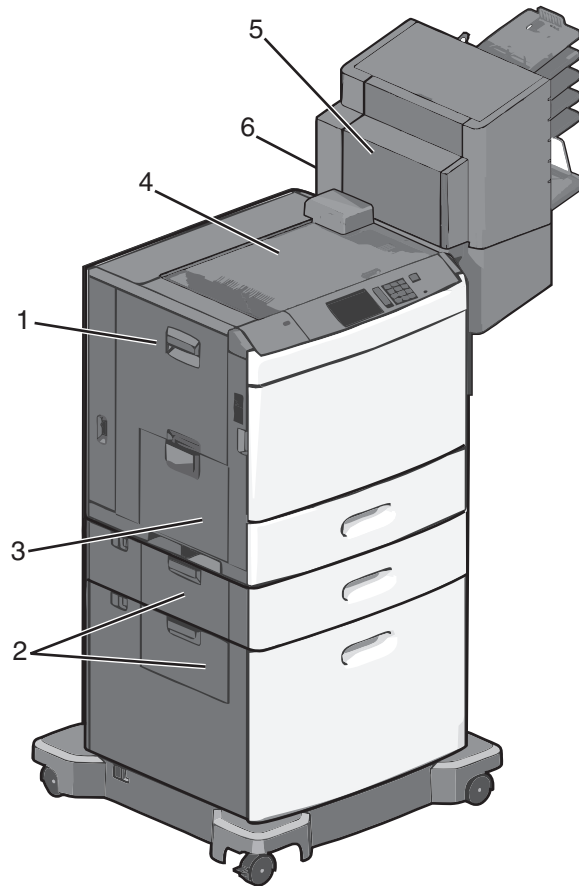
- Use only recommended paper or specialty media.
- Do not load wrinkled, creased, damp, bent, or curled paper.
- Flex and straighten paper before loading it.



- Do not use paper that has been cut or trimmed by hand.
- Do not mix paper sizes, weights, or types in the same stack.
- Make sure all sizes and types are set correctly in the printer control panel menus.
- Store paper per manufacturer recommendations.

Understanding jam numbers and locations


When a jam occurs, a message indicating the jam location appears on the display. To resolve any paper jam message, you must clear all jammed paper from the paper path.



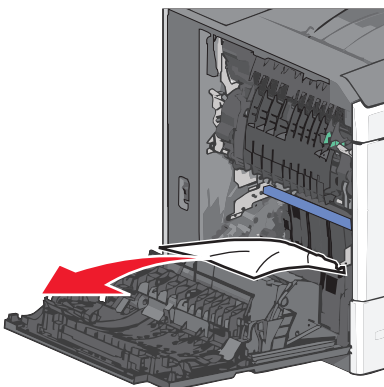
Area	Jam numbers	What to do
1	200-239	Open side door, and then remove the jammed paper.
2	24x	Open side door of the specified tray, and then remove the jammed paper.
3	250	Remove all paper from the multipurpose feeder, and then remove the jammed paper.
4	400-403, 460-461	Open the Horizontal Transport Unit (HTU) door, and then remove the jammed paper.
5	431-458	Push the button to slide the finisher or mailbox to the right, open the finisher or mailbox door, and then remove the jammed paper.
6	455	Open staple door, remove the staple cartridge, and then remove the jammed staple.

200 paper jam

- 1 Open the side door of the printer.

 **CAUTION—HOT SURFACE:** The inside of the printer might be hot. To reduce the risk of injury from a hot component, allow the surface to cool before touching.

- 2 Firmly grasp the jammed paper, and then gently pull it out.




Note: Make sure all paper fragments are removed.

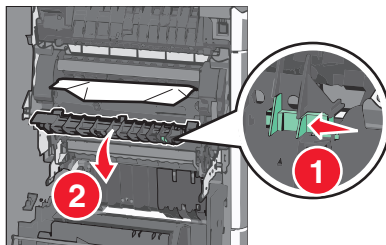
- 3 Close the side door of the printer.
- 4 From the printer control panel, touch **Continue, jam cleared**.

201 paper jam

- 1 Open the side door of the printer.

 **CAUTION—HOT SURFACE:** The inside of the printer might be hot. To reduce the risk of injury from a hot component, allow the surface to cool before touching.

- 2 Determine where the jam is located, and then remove it:
 - a If paper is inside the fuser unit, then open the fuser access door.



- b Firmly grasp the jammed paper on each side, and then gently pull it out.

Warning—Potential Damage: Do not touch the center of the fuser unit. Doing so will damage the fuser.

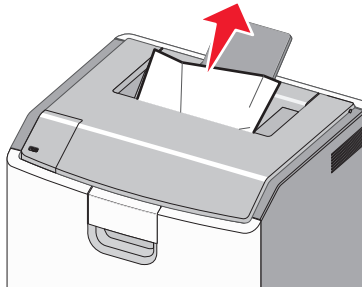
Note: Make sure all paper fragments are removed.

- 3 Close the side door of the printer.
- 4 From the printer control panel, touch **Continue, jam cleared**.

202–203 paper jams

If paper is visible in the standard exit bin, then firmly grasp the paper on each side, and then gently pull it out.

Note: Make sure all paper fragments are removed.



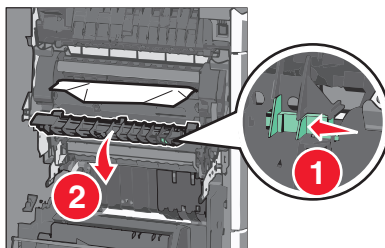
Paper jam in the fuser

- 1 Open the side door of the printer.



CAUTION—HOT SURFACE: The inside of the printer might be hot. To reduce the risk of injury from a hot component, allow the surface to cool before touching.

- 2 If paper is visible inside the fuser unit, then open the fuser access door.



- 3 Firmly grasp the jammed paper on each side, and then gently pull it out.

Warning—Potential Damage: Do not touch the center of the fuser unit. Doing so will damage the fuser.

Note: Make sure all paper fragments are removed.

- 4 Close the side door.

Paper jam under the fuser

- 1 Open the side door of the printer.



CAUTION—HOT SURFACE: The inside of the printer might be hot. To reduce the risk of injury from a hot component, allow the surface to cool before touching.

- 2 If paper is visible under the fuser, then firmly grasp the jammed paper on each side, and then gently pull it out.


Note: Make sure all paper fragments are removed.

- 3 Close the side door of the printer.

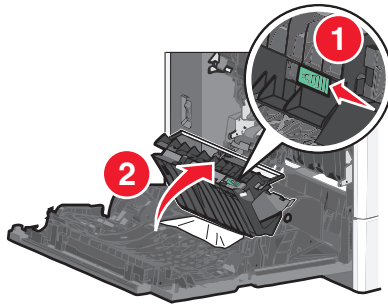
- 4 From the printer control panel, touch **Continue, jam cleared**.

230 paper jam

- 1 Open the side door of the printer.

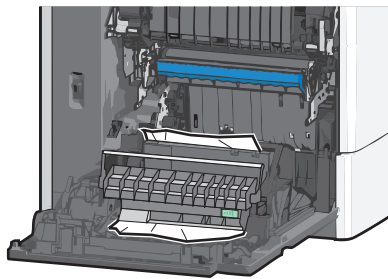
 **CAUTION—HOT SURFACE:** The inside of the printer might be hot. To reduce the risk of injury from a hot component, allow the surface to cool before touching.

- 2 Slide the latch to open the duplex cover.



- 3 Grasp the jammed paper, and then gently pull it out.


Note: Make sure all paper fragments are removed.



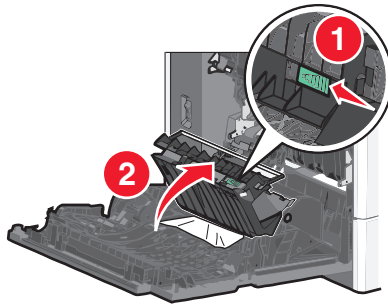
- 4 Close the duplex cover.
- 5 Close the side door of the printer.
- 6 From the printer control panel, touch **Continue, jam cleared**.

231–239 paper jams

- 1 Open the side door of the printer.

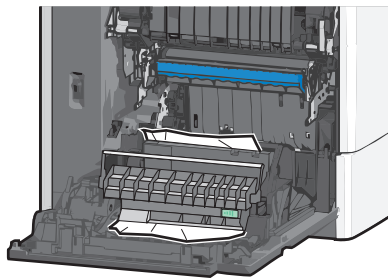
 **CAUTION—HOT SURFACE:** The inside of the printer might be hot. To reduce the risk of injury from a hot component, allow the surface to cool before touching.

- 2 Slide the latch to open the duplex cover.



- 3 Grasp the jammed paper, and then gently pull it out.

Note: Make sure all paper fragments are removed.



- 4 Close the duplex cover.
- 5 Close the side door of the printer.
- 6 From the printer control panel, touch **Continue, jam cleared**.

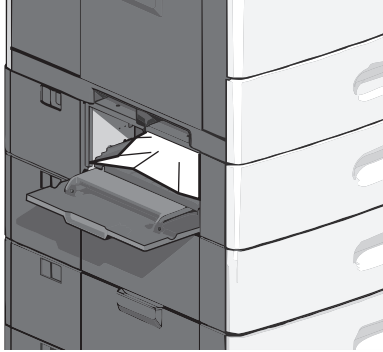
24x paper jam

Paper jam in Tray 1

- 1 Open the side door.
- 2 Grasp the jammed paper on each side, and then gently pull it out.
- 3 Close the side door.
- 4 From the printer control panel, touch **Continue, jam cleared**.

Paper jam in the optional trays

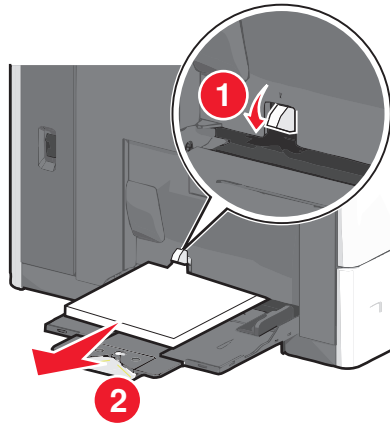
- 1 Open the side door of the specified optional tray.
- 2 Grasp the jammed paper on each side, and then gently pull it out.



- 3 Close the side door.
- 4 From the printer control panel, touch **Continue, jam cleared**.

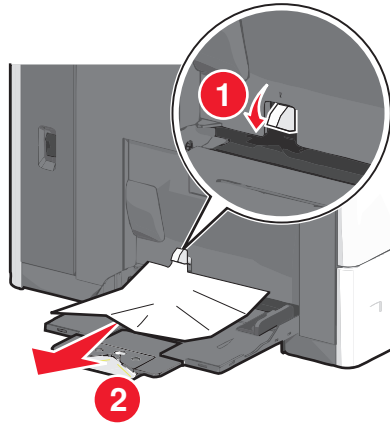
250 paper jam

- 1 Push the paper pick tab, and then remove all paper from the multipurpose feeder.



Warning—Potential Damage: Pulling the paper out, without pushing the paper pick tab first, may cause the paper pick tab to break.

- 2 Grasp the jammed paper on each side, and then gently pull it out.

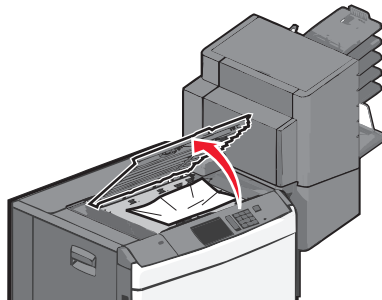


Note: Make sure all paper fragments are removed.

- 3 Reload paper into the multipurpose feeder, and then adjust the paper guides.
- 4 From the printer control panel, touch **Continue, jam cleared**.

400–403 and 460–461 paper jams

- 1 Open the paper transport unit door.



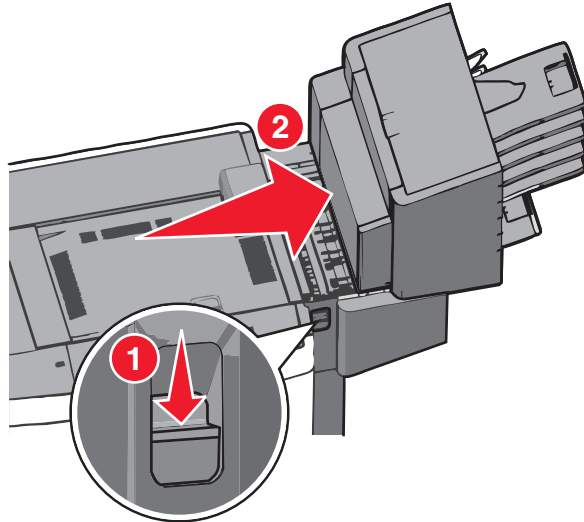
- 2 Firmly grasp the jammed paper, and then gently pull it out.

Note: Make sure all paper fragments are removed.

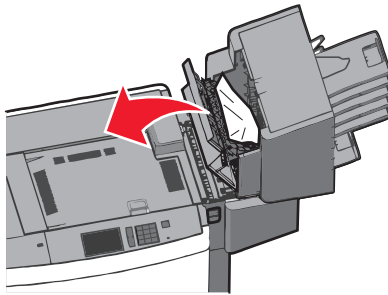
- 3 Close the paper transport unit door.
- 4 From the printer control panel, touch **Continue, jam cleared**.

431–454, and 456–458 paper jams

- 1 Push the button, and then slide the output finisher or mailbox to the right.



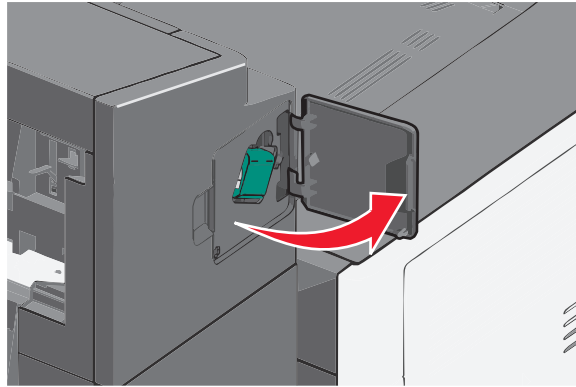
- 2 Open the finisher or mailbox access door.



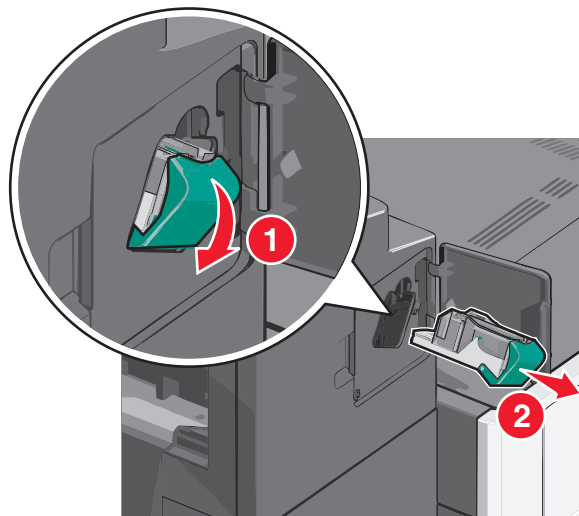
- 3 Grasp the jammed paper, and then gently pull it out.
Note: Make sure all paper fragments are removed.
- 4 Close the finisher or mailbox access door.
- 5 Slide the finisher or mailbox to the left until it *clicks* in place.
- 6 From the printer control panel, touch **Continue, jam cleared**.

455 staple jam

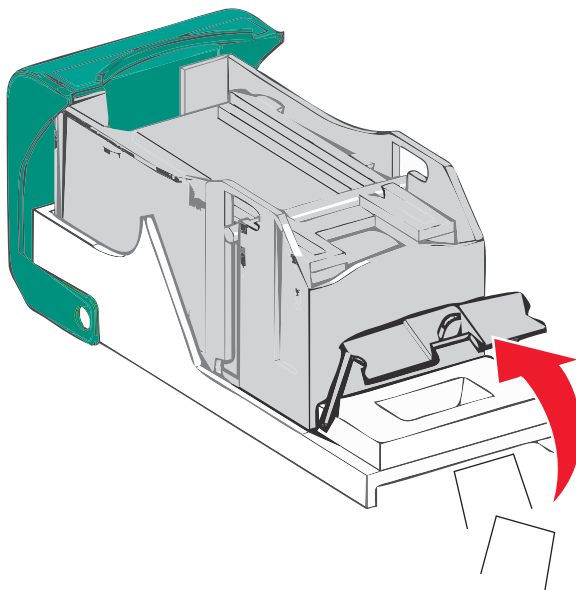
- 1 Press the latch to open the stapler door.
Note: The stapler door is located behind the finisher.



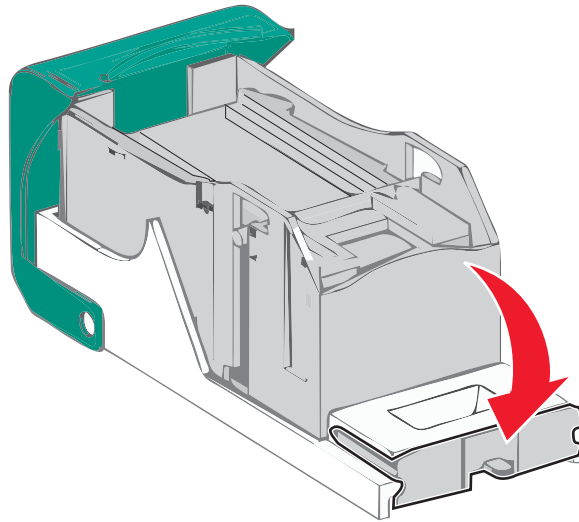
2 Lower the latch of the staple cartridge holder, and then pull the staple cartridge holder out of the printer.



3 Use the metal tab to lift the staple guard, and then remove any jammed or loose staples.

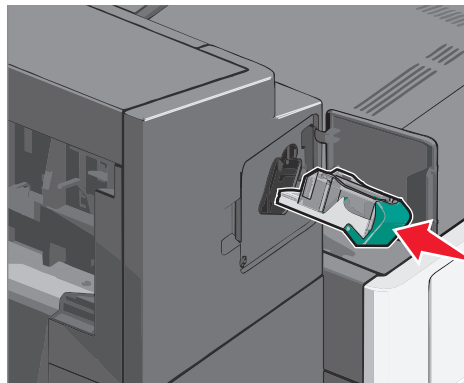


- 4 Close the staple guard.



- 5 Press down on the staple guard until it *clicks* into place.

- 6 Push the staple cartridge holder firmly back into the stapler unit until the staple cartridge holder *clicks* into place.



- 7 Close the stapler door.

- 8 From the printer control panel, touch **Continue, jam cleared**.

Troubleshooting

Checking an unresponsive printer

If your printer is not responding, make sure:

- The power cord is plugged into the printer and a properly grounded electrical outlet.
- The electrical outlet is not turned off by any switch or breaker.
- The printer is not plugged into any surge protectors, uninterruptible power supplies, or extension cords.
- Other electrical equipment plugged into the outlet is working.
- The printer is turned on.
- The printer cable is securely attached to the printer and the host computer, print server, option, or other network device.

Once you have checked each of these possibilities, turn the printer off and then back on. This often fixes the problem.

Understanding the printer messages

Adjusting color

Wait for the process to complete.

An error has occurred with the USB drive. Please remove and reinsert drive.

Try one or more of the following:

- Remove and reinsert the flash drive.
- If the error message remains, the flash memory may be defective and require replacement.

Change [paper source] to [custom type name]

Try one or more of the following:

- Touch **Use current [paper source]** to ignore the message and print from the selected tray.
- Load the correct paper size and type in the tray, verify the paper size and type settings are specified in the printer control panel Paper menu, and then touch **Paper changed, continue**.
- Touch **Cancel job** to cancel the print job.

Change [paper source] to [custom type name] load [orientation]

Try one or more of the following:

- Touch **Use current [paper source]** to ignore the message and print from the selected tray.
- Load the correct paper size and type in the tray, verify the paper size and type settings are specified in the printer control panel Paper menu, and then touch **Paper changed, continue**.

- Touch **Cancel job** to cancel the print job.

Change [paper source] to [custom string]

Try one or more of the following:

- Touch **Use current [paper source]** to ignore the message and print from the selected tray.
- Load the correct paper size and type in the tray, verify the paper size and type settings are specified in the printer control panel Paper menu, and then touch **Paper changed, continue**.
- Touch **Cancel job** to cancel the print job.

Change [paper source] to [custom string] load [orientation]

Try one or more of the following:

- Touch **Use current [paper source]** to ignore the message and print from the selected tray.
- Load the correct paper size and type in the tray, verify the paper size and type settings are specified in the printer control panel Paper menu, and then touch **Paper changed, continue**.
- Touch **Cancel job** to cancel the print job.

Change [paper source] to [paper size] [paper type]

Try one or more of the following:

- Touch **Use current [paper source]** to ignore the message and print from the selected tray.
- Load the correct paper size and type in the tray, verify the paper size and type settings are specified in the printer control panel Paper menu, and then touch **Paper changed, continue**.
- Touch **Cancel job** to cancel the print job.

Change [paper source] to [paper size] [paper type] load [orientation]

Try one or more of the following:

- Touch **Use current [paper source]** to ignore the message and print from the selected tray.
- Load the correct paper size and type in the tray, verify the paper size and type settings are specified in the printer control panel Paper menu, and then touch **Paper changed, continue**.
- Touch **Cancel job** to cancel the print job.

Close paper transport cover

Close the paper transport unit cover or door.

Close left side door

Close the left side door of the printer.

Close [tray] door

Close the specified tray door.

Close finisher side door

Close the side door of the finisher.

Close finisher top cover

Close the top cover of the finisher.

Close front door

Close the front door of the printer.

Disk corrupted

The printer attempted a hard disk recovery on a corrupted hard disk, and the hard disk cannot be repaired. The hard disk must be reformatted.

Touch **Format disk** to reformat the printer hard disk and clear the message.

Note: Formatting deletes all the files stored on the printer hard disk.

Disk near full. Securely clearing disk space.

Try one or more of the following:

- Touch **Continue** to clear the message and continue printing.
- Delete fonts, macros, and other data stored on the printer hard disk.
- Install a hard disk with higher capacity.

Disk problem

The printer hard disk must be reformatted.

Touch **Format disk** to reformat the printer hard disk and clear the message.

Note: Formatting deletes all the files stored on the printer hard disk.

Empty the hole punch box

1 Empty the hole punch box.

For instructions on emptying the hole punch box, from the printer control panel touch **More Information**.

2 Reinsert the hole punch box into the finisher, and then touch **Continue** to clear the message.

Error reading USB drive. Remove USB.

An unsupported USB device has been inserted. Remove the USB device, and then install a supported one.

Insert staple cartridge

Try one or more of the following:

- Insert a staple cartridge.
- Touch **Continue** to clear the message and print without using the staple finisher.

Insert Tray [x]

Insert the specified tray into the printer.

Insert the hole punch box

Insert the hole punch box into the finisher, and then touch **Continue** to clear the message.

Install bin [x]

Try one or more of the following:

- Install the specified bin:
 - 1 Turn the printer off.
 - 2 Unplug the power cord from the wall outlet.
 - 3 Install the specified bin.
 - 4 Connect the power cord to a properly grounded electrical outlet.
 - 5 Turn the printer back on.
- Cancel the print job.

Install envelope feeder

Try one or more of the following:

- Install the envelope feeder:
 - 1 Turn the printer off.
 - 2 Unplug the power cord from the wall outlet.
 - 3 Install the envelope feeder.
 - 4 Connect the power cord to a properly grounded electrical outlet.
 - 5 Turn the printer back on.
- Cancel the print job.

Install Tray [x]

Try one or more of the following:

- Install the specified tray:
 - 1 Turn the printer off.
 - 2 Unplug the power cord from the wall outlet.
 - 3 Install the specified tray.
 - 4 Connect the power cord to a properly grounded electrical outlet.
 - 5 Turn the printer back on.
- Cancel the print job.

Load [src] with [custom type name]

Try one or more of the following:

- Load the specified paper in the tray or feeder.
- Touch **Paper loaded, continue** to clear the message and continue printing.

If the printer finds a tray that has the correct paper type and size, it feeds from that tray. If the printer cannot find a tray with the correct paper type and size, it prints from the default paper source.
- Cancel the print job.

Load [src] with [custom string]

Try one or more of the following:

- Load the specified paper in the tray or feeder.
- Touch **Paper loaded, continue** to clear the message and continue printing.

If the printer finds a tray that has the correct paper type and size, it feeds from that tray. If the printer cannot find a tray with the correct paper type and size, it prints from the default paper source.
- Cancel the print job.

Load [src] with [size]

Try one or more of the following:

- Load the specified paper in the tray or feeder.
- Touch **Paper loaded, continue** to clear the message and continue printing.

If the printer finds a tray that has the correct paper type and size, it feeds from that tray. If the printer cannot find a tray with the correct paper type and size, it feeds from the default paper source.
- Cancel the print job.

Load [src] with [type] [size]

Try one or more of the following:

- Load the specified paper in the tray or feeder.
- Touch **Paper loaded, continue** to clear the message and continue printing.

If the printer finds a tray that has the correct paper type and size, it feeds from that tray. If the printer cannot find a tray with the correct paper type and size, it feeds from the default paper source.

- Cancel the print job.

Load Manual Feeder with [custom type name]

Try one or more of the following:

- Load the specified paper in the manual feeder.
- Touch **Prompt each page, paper loaded** or **Do not prompt, paper loaded** to clear the message and continue printing.
- Touch **Automatically select paper** to use the paper loaded in the tray.
- Cancel the print job.

Load Manual Feeder with [custom string]

Try one or more of the following:

- Load the specified paper in the manual feeder.
- Touch **Prompt each page, paper loaded** or **Do not prompt, paper loaded** to clear the message and continue printing.
- Touch **Automatically select paper** to use the paper loaded in the tray.
- Cancel the print job.

Load Manual Feeder with [paper type] [paper size]

Try one or more of the following:

- Load the specified paper in the manual feeder.
- Touch **Prompt each page, paper loaded** or **Do not prompt, paper loaded** to clear the message and continue printing.
- Touch **Automatically select paper** to use the paper loaded in the tray.
- Cancel the print job.

Load staples

Try one or more of the following:

- Replace the specified staple cartridge in the finisher.
- Touch **Continue** to clear the message and continue printing.

Note: The print job will be stapled if the staple cartridge is replaced or inserted.

- Touch **Cancel job** to cancel the print job.

Paper changes needed

Try one or more of the following:

- Touch **Use current supplies** to clear the message and continue printing.
- Cancel the current print job.

Reattach bin [x]

Try one or more of the following:

- Turn the printer off and then back on.
- Reattach the specified bin:
 - 1 Turn the printer off.
 - 2 Unplug the power cord from the wall outlet.
 - 3 Remove the specified bin.
 - 4 Reattach the bin.
 - 5 Connect the power cord to a properly grounded electrical outlet.
 - 6 Turn the printer back on.
- Remove the specified bin:
 - 1 Turn the printer off.
 - 2 Unplug the power cord from the wall outlet.
 - 3 Remove the specified bin.
 - 4 Contact Customer Support.
- Touch **Continue** to clear the message and print without using the specified bin.

Reattach bin [x] – [y]

Try one or more of the following:

- Turn the printer off and then back on.
- Reattach the specified bins:
 - 1 Turn the printer off.
 - 2 Unplug the power cord from the wall outlet.
 - 3 Remove the specified bins.
 - 4 Reattach the bins.
 - 5 Connect the power cord to a properly grounded electrical outlet.
 - 6 Turn the printer back on.
- Remove the specified bins:
 - 1 Turn the printer off.
 - 2 Unplug the power cord from the wall outlet.
 - 3 Remove the specified bins.
 - 4 Contact Customer Support.
- Touch **Continue** to clear the message and print without using the specified bins.

Remove paper from standard output bin

Remove the stack of paper from the standard exit bin.

Remove paper from bin [x]

Remove the paper from the specified bin. The printer automatically senses paper removal and resumes printing.

If removing the paper does not clear the message, then touch **Continue**.

Remove paper from all bins

Output bins have reached their capacity. Remove paper from all output bins to clear the message and continue printing.

Remove paper from [linked set bin name]

Remove paper from the specified bin. The printer automatically detects paper removal and resumes printing.

If removing the paper does not clear the message, then touch **Continue**.

Remove packaging material, [area name]

Remove any remaining packaging material from the specified location.

Restore held jobs?

Try one or more of the following:

- Touch **Restore** to restore all held jobs stored on the printer hard disk.
- Touch **Do not restore** if you do not want any print jobs to be restored.

Slide finisher to the left

Slide the mailbox or finisher to the left until it *clicks* into place.

Some held jobs were not restored

Touch **Continue** to delete the specified job.

Note: Held jobs that are not restored stay on the hard disk and are inaccessible.

Supply needed to complete job

A supply needed to complete the job is missing. Touch **Cancel** to clear the message.

Unsupported disk

An unsupported disk has been inserted. Remove the unsupported disk, and then install a supported one.

31.xx Missing or defective [color] cartridge

Try one or more of the following:

- 1 Remove and reinstall the specified print cartridge.

For instructions on removing a print cartridge, touch **More Information**.

- 2 Touch **Continue** to clear the message.

Note: If the message is not cleared, then replace the defective print cartridge.

32.xx [color] cartridge part number unsupported by device

- 1 Remove the unsupported print cartridge, and then install a supported one.

For instructions on removing a print cartridge, touch **More Information**.

- 2 Touch **Continue** to clear the message.

34 Incorrect paper size, open [src]

Try one or more of the following:

- Load the appropriate paper or specialty media in the proper tray.
- Confirm that the wheel on tray 1 is set to the paper size loaded in the tray. Make sure this size is the size you are trying to print.
- Touch **Continue** to clear the message and print using a different tray.
- Check length and width guides of the tray and make sure the paper is properly loaded in the tray.
- Make sure the Print Properties or Print dialog settings have the correct paper size and type.
- Check that the paper size is correctly set. For example, if the MP Feeder Size is set to Universal, make sure the paper is large enough for the data being printed.
- Cancel the print job.

35 Insufficient memory to support Resource Save feature

Try one or more of the following:

- Touch **Continue** to disable Resource Save and continue printing.
- To enable Resource Save after receiving this message, make sure the link buffers are set to Auto, and then exit the menus to activate the link buffer changes. When **Ready** appears, enable Resource Save.
- Install additional memory.

36 Printer service required

Touch **Continue** to clear the message or contact customer support.

37 Insufficient memory to collate job

Try one or more of the following:

- Touch **Continue** to print the portion of the job already stored and begin collating the rest of the print job.
- Cancel the current print job.

37 Insufficient memory for Flash Memory Defragment operation

Try one or more of the following:

- Touch **Continue** to stop the defragment operation and continue printing.
- Delete fonts, macros, and other data in printer memory.
- Install additional printer memory.

37 Insufficient memory, some Held Jobs were deleted

The printer deleted some held jobs in order to process current jobs.

Touch **Continue** to clear the message.

37 Insufficient memory, some held jobs will not be restored

The printer was unable to restore some or all of the confidential or held jobs on the printer hard disk.

Touch **Continue** to clear the message.

38 Memory full

Try one or more of the following:

- Touch **Continue** to clear the message.
- Cancel the current print job.
- Install additional printer memory.

39 Complex page, some data may not have printed

Try one or more of the following:

- Touch **Continue** to clear the message and continue printing.
- Cancel the current print job.
- Install additional printer memory.

40 [color] invalid refill, change cartridge

Replace the specified cartridge to continue printing.

51 Defective flash detected

Try one or more of the following:

- Touch **Continue** to clear the message and continue printing.
- Cancel the current print job.

52 Not enough free space in flash memory for resources

Try one or more of the following:

- Touch **Continue** to clear the message and continue printing.
Downloaded fonts and macros not previously stored in flash memory are deleted.
- Delete fonts, macros, and other data stored in flash memory.
- Upgrade to a larger capacity flash memory card.

53 Unformatted flash detected

Try one or more of the following:

- Touch **Continue** to stop the defragment operation and continue printing.
- Format the flash memory. If the error message remains, the flash memory may be defective and require replacing.

54 Serial option [x] error

Try one or more of the following:

- Check that the serial cable is connected properly and is the correct one for the serial port.
- Check that the serial interface parameters (protocol, baud, parity, and data bits) are set correctly on the printer and on the host computer.
- Touch **Continue** to continue printing.
- Turn the printer power off and then back on to reset the printer.

54 Standard network software error

Try one or more of the following:

- Touch **Continue** to continue printing.
- Turn the printer off and then back on to reset the printer.
- Upgrade (flash) the network firmware in the printer or print server.

54 Network [x] software error

Try one or more of the following:

- Touch **Continue** to continue printing.
- Turn the printer off, wait for about 10 seconds, and then turn the printer back on.
- Upgrade (flash) the network firmware in the printer.

55 Unsupported option in slot [x]

- 1 Turn the printer off.
- 2 Unplug the power cord from the wall outlet.
- 3 Remove the unsupported option card from the printer system board, and then replace it with a supported card.
- 4 Connect the power cord to a properly grounded electrical outlet.
- 5 Turn the printer back on.

56 Parallel port [x] disabled

Try one or more of the following:

- Touch **Continue** to clear the message.
The printer discards any data received through the parallel port.
- Make sure the Parallel Buffer menu item is not set to Disabled.

56 Serial port [x] disabled

Try one or more of the following:

- Touch **Continue** to clear the message.
The printer discards any data received through the serial port.
- Make sure the Serial Buffer menu is not set to Disabled.

56 Standard USB port disabled

Try one or more of the following:

- Touch **Continue** to clear the message.
The printer discards any data received through the USB port.
- Make sure the USB Buffer menu item is not set to Disabled.

56 Standard parallel port disabled

Try one or more of the following:

- Touch **Continue** to clear the message.
The printer discards any data received through the parallel port.
- Make sure the Parallel Buffer menu item is not set to Disabled.

56 USB port [x] disabled

Try one or more of the following:

- Touch **Continue** to clear the message.
The printer discards any data received through the USB port.
- Make sure the USB Buffer menu is not set to Disabled.

57 Configuration change, some held jobs were not restored

Something has changed in the printer to invalidate the held jobs. Possible changes include:

- The printer firmware has been updated.
- Paper input options needed for the print job were removed.
- The print job was created using data from a device in the USB port and the device is no longer in the USB port.
- The printer hard disk contains print jobs that were stored while installed in a different printer model.

Touch **Continue** to clear the message.

58 Input config error

- 1 Turn the printer off.
- 2 Unplug the power cord from the wall outlet.
- 3 Check if all tray configurations are correct. Remove unnecessary trays if needed.
- 4 Connect the power cord to a properly grounded electrical outlet.
- 5 Turn the printer back on.

58 Too many bins attached

- 1 Turn the printer off.
- 2 Unplug the power cord from the wall outlet.
- 3 Remove the additional bins.
- 4 Connect the power cord to a properly grounded electrical outlet.
- 5 Turn the printer back on.

58 Too many disks installed

- 1 Turn the printer off.
- 2 Unplug the power cord from the wall outlet.
- 3 Remove the excess disks.
- 4 Connect the power cord to a properly grounded electrical outlet.
- 5 Turn the printer back on.

58 Too many flash options installed

- 1 Turn the printer off.
- 2 Unplug the power cord from the wall outlet.
- 3 Remove the excess flash memory.

- 4 Connect the power cord to a properly grounded outlet.
- 5 Turn the printer back on.

58 Too many trays attached

- 1 Turn the printer off.
- 2 Unplug the power cord from the wall outlet.
- 3 Remove the additional trays.
- 4 Connect the power cord to a properly grounded outlet.
- 5 Turn the printer back on.

59 Incompatible output bin [x]

Try one or more of the following:

- Remove the specified output bin.
- Touch **Continue** to clear the message and continue printing without using the specified output bin.

61 Remove defective disk

Try one or more of the following:

- Remove the defective printer hard disk.
- Install a different printer hard disk before performing any operations that require a printer hard disk.

62 Disk full

Try one or more of the following:

- Touch **Continue** to clear the message and continue processing.
- Delete fonts, macros, and other data stored on the printer hard disk.
- Install a printer hard disk with larger capacity.

80.xx Fuser near life warning

- 1 Order a replacement fuser immediately.
- 2 When print quality is reduced, install the new fuser, following the instruction sheet that came with the replacement part.
- 3 Touch **Continue** to clear the message and continue printing.

80.xx Fuser life warning

- Order a replacement fuser immediately. When print quality is reduced, install the new fuser, following the instruction sheet that came with the replacement part.
- Touch **Continue** to clear the message and continue printing.

80.xx Replace fuser

Replace the fuser using the instruction sheet that came with the replacement part.

80.xx Fuser missing

- 1 Replace the fuser, following the instruction sheet that came with the replacement part.
- 2 Touch **Continue** to clear the message and continue printing.

82.xx Waste toner bottle nearly full

Order a replacement waste toner bottle immediately.

- 1 Replace the waste toner bottle.
For instructions on installing the waste toner bottle, from the printer control panel touch **More Information**.
- 2 Touch **Continue** to clear the message and continue printing.

82.xx Replace waste toner bottle

- 1 Replace the waste toner bottle.
For instructions on replacing the waste toner bottle, from the printer control panel touch **More Information**.
- 2 Touch **Continue** to clear the message and continue printing.

82.xx Waste toner bottle missing

Reinsert the waste toner bottle into the printer.

83.xx Transfer module life warning

- 1 Replace the transfer module, following the instruction sheet that came with the replacement part.
- 2 Touch **Continue** to clear the message and continue printing.

83.xx Transfer module missing

Insert the transfer module into the printer.

83.xx Replace transfer module

Replace the transfer module, following the instruction sheet that came with the replacement part.

88.xx [color] cartridge nearly low

Order a replacement for the specified print cartridge.

88.xx [color] cartridge low

- 1 Remove the specified cartridge.

Warning—Potential Damage: Be careful not to touch the photoconductor drum. Doing so may affect the print quality of future print jobs.

- 2 Firmly shake the cartridge side-to-side and front-to-back several times to redistribute the toner.
- 3 Reinsert the cartridge, and then touch **Continue** to clear the message and continue printing.

Notes:

- Repeat this procedure multiple times until the print remains faded. When the print remains faded, replace the cartridge.
- Have a new cartridge available when the current one no longer prints satisfactorily.

88.xx [Color] cartridge very low

The specified print cartridge is very low.

- 1 For instructions on replacing a print cartridge, from the printer control panel touch **More Information**.
- 2 Touch **Continue** to clear the message and continue printing.

88.xx [Color] cartridge critically low

The specified print cartridge is critically low.

- 1 For instructions on replacing a print cartridge, from the printer control panel touch **More Information**.
- 2 Touch **Continue** to clear the message and continue printing.

1565 Emulation error, load emulation option

The printer automatically clears the message in 30 seconds and then disables the download emulator on the firmware card.

To fix this, download the correct download emulator version from the Lexmark Web site at www.lexmark.com.

Solving printing problems

Multiple-language PDF files do not print

The PDF files may contain unavailable fonts.

- 1 Open the document you want to print in Adobe Acrobat.
- 2 Click the printer icon > **Advanced** > **Print as image** > **OK** > **OK**.

Printer control panel display is blank or displays only diamonds

The printer self test failed. Turn the printer off, wait about 10 seconds, and then turn the printer back on.

If **Performing Self Test** and **Ready** do not appear, turn the printer off and contact Customer Support.

Error message about reading USB drive appears

Make sure the flash drive is supported.

Print jobs do not print

Try one or more of the following:

MAKE SURE THERE IS NO PROBLEM WITH YOUR PRINTER

From the printer control panel, check the status. If necessary, follow the recovery instructions.

MAKE SURE THE PRINTER IS READY TO PRINT

Make sure **Ready** appears on the display before sending a print job.

CHECK IF A SUPPLY IS MISSING OR NEEDS REPLACEMENT

Remove and then reinstall or replace the supply.

CHECK IF THE STANDARD EXIT BIN IS FULL

Remove the paper stack from the standard exit bin.

CHECK IF THE PAPER TRAY IS EMPTY

Load paper in the tray.

MAKE SURE THE CORRECT PRINTER SOFTWARE IS INSTALLED

- Verify that you are using the correct printer software.
- If the printer is connected to your computer through a USB port, then make sure you are running a supported operating system and using a compatible printer software.

MAKE SURE THE INTERNAL PRINT SERVER IS WORKING PROPERLY

- Make sure the internal print server is properly installed and that the printer is connected to the network.
- Print a network setup page and check that the status shows **Connected**. If the status is **Not Connected**, then check the network cables, and then try printing the network setup page again. Contact your system support person to make sure the network is functioning correctly.

The printer software is available on the Lexmark Web site at <http://support.lexmark.com>.

MAKE SURE YOU ARE USING A RECOMMENDED USB, SERIAL, OR ETHERNET CABLE

For more information, visit the Lexmark Web site at <http://support.lexmark.com>.

MAKE SURE PRINTER CABLES ARE SECURELY CONNECTED

Check the cable connections to the printer and print server to make sure they are secure.

For more information, see the setup documentation that came with the printer.

Confidential and other held jobs do not print

These are possible solutions. Try one or more of the following:

PARTIAL JOB, NO JOB, OR BLANK PAGE PRINTS

The print job may contain a formatting error or invalid data.

- Delete the print job, and then print it again.
- For PDF documents, recreate the PDF and then print it again.

If you are printing from the Internet, then the printer may be reading multiple job titles as duplicates and deleting all jobs except the first one.

- For Windows users, open Print Properties. From the Print and Hold dialog, select the "Keep duplicate documents" check box under the User name text box before entering a PIN number.
- For Macintosh users, save each print job, naming each job differently, and then send the individual jobs to the printer.

MAKE SURE THE PRINTER HAS SUFFICIENT MEMORY

Free up additional printer memory by scrolling through the list of held jobs and deleting some of them.

Print job takes longer than expected

Try one or more of the following:

REDUCE THE COMPLEXITY OF THE PRINT JOB

Eliminate the number and size of fonts, the number and complexity of images, and the number of pages in the print job.

TURN OFF THE PAGE PROTECT SETTING

From the home screen, navigate to:

 > **Settings** > **General Settings** > **Print Recovery** > **Page Protect** > **Off** > 

CHANGE THE ENVIRONMENTAL SETTINGS

When using Eco-Mode or Quiet Mode settings, you may notice a reduction in performance.

Job prints from the wrong tray or on the wrong paper

CHECK THE PAPER TYPE AND PAPER SIZE SETTINGS

Make sure the paper type setting matches the paper loaded in the tray:

- 1 From the printer control panel Paper menu, check the paper type and paper size settings.
- 2 Before sending the job to print, specify the correct type setting:
 - For Windows users, specify the paper type from Print Properties.
 - For Macintosh users, specify the paper type from the Print dialog.

Incorrect characters print

- Make sure the printer is not in Hex Trace mode. If **Ready Hex** appears on the display, you must exit Hex Trace mode before you can print your job. Turn the printer off and back on to exit Hex Trace mode.
- Make sure the SmartSwitch settings are set to On in the Network and USB menus.

Tray linking does not work

These are possible solutions. Try one or more of the following:

LOAD THE SAME SIZE AND TYPE OF PAPER

- Load the same size and type of paper in each tray to be linked.
- Move the paper guides to the correct positions for the paper size loaded in each tray.

USE THE SAME PAPER SIZE AND PAPER TYPE SETTINGS

- Print a menu settings page and compare the settings for each tray.
- If necessary, adjust the settings from the Paper Size/Type menu.

Note: The standard 550-sheet tray and the multipurpose feeder do not automatically sense the paper size. You must set the size from the Paper Size/Type menu.

Large jobs do not collate

These are possible solutions. Try one or more of the following:

MAKE SURE COLLATE IS SET TO ON

From the Finishing menu or Print Properties, set Collate to On.

Note: Setting Collate to Off in the software overrides the setting in the Finishing menu.

REDUCE THE COMPLEXITY OF THE PRINT JOB



Reduce the complexity of the print job by eliminating the number and size of fonts, the number and complexity of images, and the number of pages in the job.

MAKE SURE THE PRINTER HAS ENOUGH MEMORY

Add printer memory or an optional hard disk.

Unexpected page breaks

INCREASE THE PRINT TIMEOUT VALUE

- 1 From the home screen, navigate to:
 > **Settings** > **General Settings** > **Timeouts** > **Print Timeout**
- 2 Increase the Print Timeout value, and then touch .

Solving home screen application problems

An application error has occurred

CHECK THE SYSTEM LOG FOR RELEVANT DETAILS

- 1 Type the printer IP address or host name in the address field of your Web browser.
If you do not know the IP address or host name of the printer, then you can:
 - View the information on the printer control panel home screen, or in the TCP/IP section under the Networks/Ports menu.
 - Print a network setup page or menu settings page and locate the information in the TCP/IP section.
- 2 Click **Settings** or **Configuration**.
- 3 Click **Device Solutions** > **Solutions (eSF)** > **System** tab > **Log**.
- 4 From the Filter menu, select an application status.
- 5 From the Application menu, select an application, and then click **Submit**.

CONTACT CUSTOMER SUPPORT

If you still cannot isolate the problem, then contact customer support.

Solving option problems

Option does not operate correctly or quits after it is installed

These are possible solutions. Try one or more of the following:

RESET THE PRINTER

Turn the printer off, wait for about 10 seconds, and then turn the printer on.

CHECK TO SEE IF THE OPTION IS CONNECTED TO THE PRINTER

- 1 Turn the printer off.
- 2 Unplug the printer.
- 3 Check the connection between the option and the printer.

MAKE SURE THE OPTION IS INSTALLED

Print a menu settings page and check to see if the option is listed in the Installed Options list. If the option is not listed, reinstall it.

MAKE SURE THE OPTION IS AVAILABLE IN THE PRINTER DRIVER

It may be necessary to manually add the option in the printer driver to make it available for print jobs. For more information, see [“Adding available options in the print driver” on page 44](#).

MAKE SURE THE OPTION IS SELECTED

From the program you are using, select the option. Mac OS 9 users should make sure the printer is set up in the Chooser.

Paper tray problems

Try one or more of the following:

MAKE SURE THE PAPER IS LOADED CORRECTLY

- 1 Open the paper tray.
- 2 Check for paper jams or misfeeds.
- 3 Make sure the paper guides are aligned against the edges of the paper.
- 4 Make sure the paper tray closes properly.

RESET THE PRINTER

Turn the printer off, wait about 10 seconds, and then turn the printer on.

MAKE SURE THE PAPER TRAY IS INSTALLED CORRECTLY

If the paper tray is listed on the menu settings page, but paper jams when it enters or exits the tray, then it may not be properly installed. Reinstall the paper tray. For more information, see the hardware setup documentation that came with the paper tray, or go to <http://support.lexmark.com> to view the paper tray instruction sheet.

2,000-sheet drawer problems**CHECK THE DRAWER CONNECTION**

Make sure the 2,000-sheet drawer is properly connected to the printer.

LOAD PAPER

If the tray is empty, then load paper in the tray or feeder

CLEAR ANY JAMS

Open the side door of the tray or feeder, and then remove any jammed paper.

AVOID PAPER JAMS

- Flex the paper.
- Make sure the drawer is properly installed.
- Make sure paper is loaded correctly.
- Make sure the paper stack you load does not exceed the maximum stack height indicated in the tray.
- Make sure the paper or specialty media meets specifications and is not damaged.
- Make sure the guides are positioned correctly for the paper size loaded.

Cannot detect flash memory card

Make sure the flash memory card is securely connected to the printer system board.

Cannot detect printer hard disk

Make sure the printer hard disk is securely connected to the printer system board.

Internal Solutions Port does not operate correctly

Try one or more of the following:

CHECK THE INTERNAL SOLUTIONS PORT (ISP) CONNECTIONS

Make sure the ISP is securely connected to the printer system board.

CHECK THE CABLE

Make sure you are using the correct cable and that it is securely connected to the Internal Solutions (ISP) port.

MAKE SURE THE NETWORK SOFTWARE IS CONFIGURED CORRECTLY

For information on installing the network printing software, see the *Networking Guide* on the *Software and Documentation* CD.

Internal print server does not operate correctly

Try one or more of the following:

CHECK THE PRINT SERVER CONNECTIONS

- Make sure the internal print server is attached securely to the printer system board.
- Make sure you are using the correct cable and that it is securely connected.

MAKE SURE THE NETWORK SOFTWARE IS CONFIGURED CORRECTLY

For more information on installing the network printing software, do the following:

- 1 Open the *Software and Documentation* CD.
- 2 Click **Additional**.
- 3 Under Publications on this CD, select **Networking Guide**.

Memory card

Make sure the memory card is securely connected to the printer system board.

USB/parallel interface card does not operate correctly

CHECK THE USB/PARALLEL INTERFACE CARD CONNECTION

Make sure the USB/parallel interface card is securely connected to the printer system board.

CHECK THE CABLE

Make sure you are using the correct cable and that it is securely connected.

Solving paper feed problems

Paper frequently jams

These are possible solutions. Try one or more of the following:

CHECK THE PAPER

Use recommended paper and specialty media. For more information, see the chapter about paper and specialty media guidelines.

MAKE SURE THERE IS NOT TOO MUCH PAPER IN THE PAPER TRAY

Make sure the stack of paper you load does not exceed the maximum stack height indicated in the tray or on the multipurpose feeder.

CHECK THE PAPER GUIDES

Move the guides in the tray to the correct positions for the paper size loaded.

THE PAPER MAY HAVE ABSORBED MOISTURE DUE TO HIGH HUMIDITY

- Load paper from a fresh package.
- Store paper in its original wrapper until you use it.

Paper jam message remains after jam is cleared

CHECK THE PAPER PATH

The paper path is not clear. Clear jammed paper from the entire paper path, and then touch **Continue**.


Jammed pages are not reprinted

TURN ON JAM RECOVERY

1 From the home screen, navigate to:

 > **Settings** > **General Settings** > **Print Recovery**

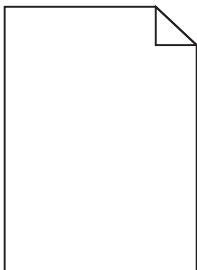
2 Touch the arrows next to **Jam Recovery** until **On** or **Auto** appears.

3 Touch .

Solving print quality problems

If the solutions here do not correct the problem, contact customer support. You may have a printer part that requires adjustment or replacement.

Printer is printing blank pages



Try one or more of the following:

MAKE SURE THERE IS NO PACKING MATERIAL LEFT ON THE TONER OR PRINT CARTRIDGE

Remove the cartridge and make sure the packing material is properly removed. Reinstall the cartridge.

MAKE SURE THE TONER OR PRINT CARTRIDGE IS NOT LOW ON TONER

When **88.xx [color] cartridge low** appears, make sure that toner is distributed evenly among all four cartridges:

- 1 Remove the cartridge.

Warning—Potential Damage: Be careful not to touch the photoconductor drum. Doing so may affect the print quality of future print jobs.

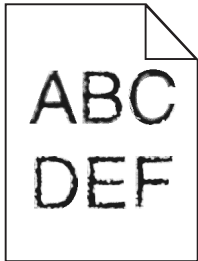
- 2 Firmly shake the cartridge side-to-side and front-to-back several times to redistribute the toner.

- 3 Reinsert the cartridge.

Note: If print quality does not improve, then replace the cartridge of the color that is not printing.

If the problem continues, then the printer may need to be serviced. For more information, contact customer support.

Characters have jagged or uneven edges



If you are using downloaded fonts, verify that the fonts are supported by the printer, the host computer, and the software program.

Clipped images

Try one or more of the following:

CHECK THE GUIDES

Move the width and length guides in the tray to the correct positions for the paper size loaded.

CHECK THE PAPER SIZE SETTING

Make sure the paper size setting matches the paper loaded in the tray:

- 1 From the printer control panel Paper menu, check the Paper Size setting.
- 2 Before sending the job to print, specify the correct size setting:
 - For Windows users, specify the size from Print Properties.
 - For Macintosh users, specify the size from the Page Setup dialog.

Fine horizontal lines appear on color pages

You may notice fine, horizontal lines in photographs or pages with a high concentration of color. This can occur when the printer is in Quiet Mode. To fix this, set Quiet Mode to **Off (Image/Photo)**.

Shadow images appear on prints



Try one or more of the following:

CHECK THE PAPER TYPE AND WEIGHT SETTINGS

Make sure the paper type and weight settings match the paper loaded in the tray or feeder:

- 1 From the printer control panel Paper menu, check the Paper Type and Paper Weight settings.
- 2 Before sending the print job, specify the correct paper type setting:
 - For Windows users, specify the paper type from Print Properties.
 - For Macintosh users, specify the paper type from the Print dialog.

MAKE SURE THE PRINT CARTRIDGE IS NOT LOW ON TONER

When **88.xx [color] cartridge low** appears, make sure that toner is distributed evenly among all four print cartridges or whichever color has the shadow images.

- 1 Remove the print cartridge.

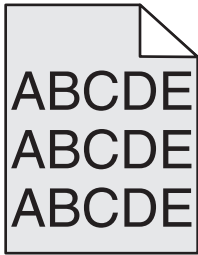
Warning—Potential Damage: Be careful not to touch the photoconductor drum. Doing so may affect the print quality of future print jobs.

- 2 Firmly shake the cartridge side-to-side and front-to-back several times to redistribute the toner.
- 3 Reinsert the print cartridge.

Note: If print quality does not improve, replace the print cartridge of the color that is giving a shadow.

If the problem continues, the printer may need to be serviced. For more information, contact customer support.

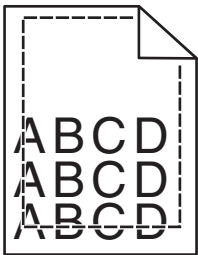
Gray background on prints



MAKE SURE THERE IS NO WORN OR DEFECTIVE PRINT CARTRIDGE

Replace the worn or defective print cartridge.

Incorrect margins



These are possible solutions. Try one or more of the following:

CHECK THE PAPER GUIDES

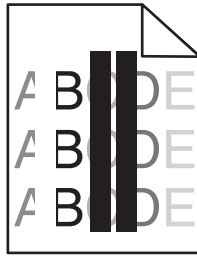
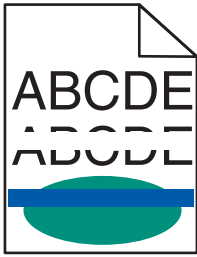
Move the guides in the tray to the correct positions for the paper size loaded.

CHECK THE PAPER SIZE SETTING

Make sure the paper size setting matches the paper loaded in the tray:

- 1 From the printer control panel Paper menu, check the Paper Size setting.
- 2 Before sending the job to print, specify the correct size setting:
 - For Windows users, specify the size from Print Properties.
 - For Macintosh users, specify the size from the Page Setup dialog.

Light colored line, white line, or incorrectly colored line appears on prints



Try one or more of the following:

MAKE SURE THERE IS NO DEFECTIVE PRINT CARTRIDGE

Replace the defective print cartridge.

MAKE SURE THE TRANSFER BELT IS NOT DEFECTIVE

Replace the defective transfer belt. For more information, see the instruction sheet that came with the replacement part.

Paper curl

Try one or more of the following:

CHECK THE PAPER TYPE AND WEIGHT SETTINGS

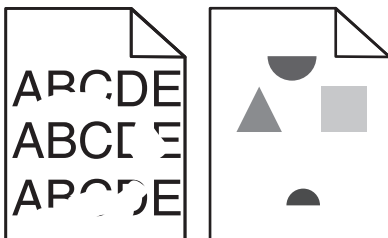
Make sure the paper type and weight settings match the paper loaded in the tray or feeder:

- 1 From the printer control panel Paper menu, check the Paper Type and Paper Weight settings.
- 2 Before sending the print job, specify the correct paper type setting:
 - For Windows users, specify the paper type from Print Properties.
 - For Macintosh users, specify the paper type from the Print dialog.

LOAD PAPER FROM A FRESH PACKAGE

Paper absorbs moisture due to high humidity. Store paper in its original wrapper until you use it.

Print irregularities



Try one or more of the following:

LOAD PAPER FROM A FRESH PACKAGE

The paper may have absorbed moisture due to high humidity. Store paper in its original wrapper until you use it.

CHECK THE PAPER TYPE AND WEIGHT SETTINGS

Make sure the paper type and weight settings match the paper loaded in the tray or feeder:

- 1 From the printer control panel Paper menu, check the Paper Type and Paper Weight settings.
- 2 Before sending the print job, specify the correct paper type setting:
 - For Windows users, specify the paper type from Print Properties.
 - For Macintosh users, specify the paper type from the Print dialog.

AVOID TEXTURED PAPER WITH ROUGH FINISHES**MAKE SURE THERE IS NO DEFECTIVE PRINT CARTRIDGE**

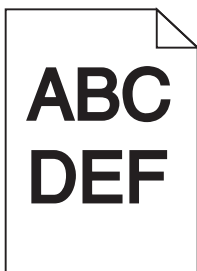
Replace the worn or defective print cartridge.

MAKE SURE THE TRANSFER BELT IS NOT DEFECTIVE

Replace the defective transfer belt. For more information, see the instruction sheet that came with the replacement part.

MAKE SURE THE FUSER IS NOT DEFECTIVE

Replace the defective fuser. For more information, see the instruction sheet that came with the replacement part.

Print is too dark

Try one or more of the following:

LOAD PAPER FROM A FRESH PACKAGE

The paper may have absorbed moisture due to high humidity. Store paper in its original wrapper until you use it.

AVOID TEXTURED PAPER WITH ROUGH FINISHES

CHECK THE PAPER TYPE SETTING

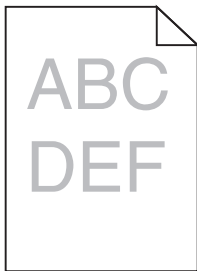
Make sure the Paper Type setting matches the paper loaded in the tray or feeder:

- From the printer control panel Paper menu, check the Paper Type setting.
- For Windows users, check this setting from Print Properties.
- For Macintosh users, check this setting from the Print dialog.

MAKE SURE THERE IS NO DEFECTIVE PRINT CARTRIDGE

Replace the defective print cartridge.

Print is too light



Try one or more of the following:

LOAD PAPER FROM A FRESH PACKAGE

The paper may have absorbed moisture from high humidity. Store paper in its original wrapper until you use it.

AVOID TEXTURED PAPER WITH ROUGH FINISHES

CHECK THE PAPER TYPE SETTING

Make sure the Paper Type setting matches the paper loaded in the tray or feeder:

- From the printer control panel Paper menu, check the Paper Type setting.
- For Windows users, check this setting from Print Properties.
- For Macintosh users, check this setting from the Print dialog.

MAKE SURE THE PRINT CARTRIDGE IS NOT LOW ON TONER

When **88.xx [color] cartridge low** appears, make sure the toner is distributed evenly within the print cartridge.

- 1 Remove the print cartridge.

Warning—Potential Damage: Be careful not to touch the photoconductor drum. Doing so may affect the print quality of future print jobs.

- 2 Firmly shake the cartridge side-to-side and front-to-back several times to redistribute the toner.

3 Reinsert the print cartridge.

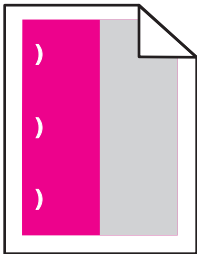
Note: If print quality does not improve, then replace the print cartridge.

If the problem continues, then the printer may need to be serviced. For more information, contact customer support.

MAKE SURE THERE IS NO DEFECTIVE PRINT CARTRIDGE

Replace the defective print cartridge.

Repeating defects appear on prints



Try one or more of the following:

REPLACE THE PRINT CARTRIDGE

Replace the print cartridge of the color with the repeating defect, if the print defects occur in the following instances:

- in every 37.7 mm (1.48 in.) of the page
- in every 41.6 mm (1.64 in.) of the page
- in every 42.7 mm (1.68 in.) of the page
- in every 94.3 mm (3.71 in.) of the page

REPLACE THE FUSER

Replace the fuser if print defects occur in the following instances:

- in every 95.0 mm (3.74 in.) of the page
- in every 146.7 mm (5.78 in.) of the page

Skewed print

These are possible solutions. Try one or more of the following:

CHECK THE PAPER GUIDES

Move the length and width guides in the tray to the correct positions for the paper size loaded.

- Make sure the guides are not too far from the paper stack.
- Make sure the guides are not pressing too lightly against the paper stack.

CHECK THE PAPER

Make sure you are using paper that meets the printer specifications.

Solid color or black pages appear on prints



MAKE SURE THE PRINT CARTRIDGES ARE INSTALLED CORRECTLY, ARE NOT DEFECTIVE AND NOT LOW ON TONER

- Remove the print cartridges.

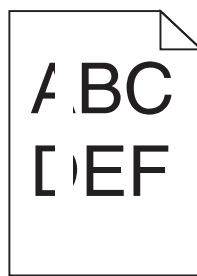
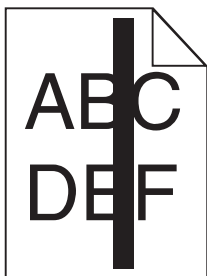
Warning—Potential Damage: Be careful not to touch the photoconductor drum. Doing so may affect the print quality of future print jobs.

- Reinsert the print cartridges.

Note: If the quality does not improve, replace the print cartridges.

- If the problem continues, the printer may need to be serviced. For more information, contact customer support.

Black or white streaks appear on transparencies or paper



Try one or more of the following:

ENSURE THAT THE FILL PATTERN IS CORRECT

If the fill pattern is incorrect, choose a different fill pattern from your software program.

CHECK THE PAPER TYPE

- Use only the recommended transparencies.
- Ensure that the Paper Type setting matches what is loaded in the tray or feeder.
- Ensure that the Paper Texture setting is correct for the type of paper or specialty media loaded in the tray or feeder.

MAKE SURE THE PRINT CARTRIDGE IS NOT LOW ON TONER

When **88.xx [color] cartridge low** appears, make sure the toner is distributed evenly within the print cartridge:

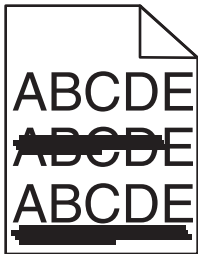
1 Remove the print cartridge.

Warning—Potential Damage: Be careful not to touch the photoconductor drum. Doing so may affect the print quality of future print jobs.

2 Firmly shake the cartridge side-to-side and front-to-back several times to redistribute the toner.

3 Reinsert the print cartridge.

If the problem continues, the printer may need to be serviced. For more information, contact Customer Support.

Streaked horizontal lines appear on prints

Try one or more of the following:

SELECT ANOTHER TRAY OR FEEDER

- From the printer control panel Paper Menu, select Default Source.
- For Windows users, select the paper source from Print Properties.
- For Macintosh users, select the paper source from the Print dialog and pop-up menus.

MAKE SURE THERE IS NO WORN, DEFECTIVE, OR EMPTY PRINT CARTRIDGE

Replace the worn, defective, or empty print cartridge.

Toner fog or background shading appears on a page

Try one or more of the following:

MAKE SURE PRINT CARTRIDGES ARE INSTALLED CORRECTLY AND ARE NOT DEFECTIVE

Reinstall or replace the print cartridge.

MAKE SURE THE TRANSFER BELT IS NOT WORN OR DEFECTIVE

Replace the transfer belt. For more information, see the instruction sheet that came with the replacement part.

MAKE SURE THE FUSER IS NOT WORN OR DEFECTIVE

Replace the fuser. For more information, see the instruction sheet that came with the replacement part.

MAKE SURE THERE IS NO TONER IN THE PAPER PATH

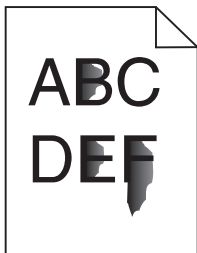
Clean any visible toner from the paper path. If the problem persists, then contact customer support.

RECALIBRATE THE PRINTER

Perform color adjust from the printer control panel Quality menu.

CHECK THE SOFTWARE PROGRAM OR APPLICATION

The software program or application may have specified an off-white background.

Toner rubs off

Try one or more of the following:

CHECK THE PAPER TYPE AND WEIGHT SETTINGS

Make sure the paper type and weight settings match the paper loaded in the tray or feeder:

- 1 From the printer control panel Paper menu, check the Paper Type and Paper Weight settings. Change the Paper Weight setting from Normal to Heavy.
- 2 Before sending the print job, specify the correct paper type setting:
 - For Windows users, specify the paper type from Print Properties.
 - For Macintosh users, specify the paper type from the Print dialog.

CHECK THE PAPER TEXTURE SETTING

From the printer control panel Paper menu, make sure the Paper Texture setting matches the paper loaded in the tray or feeder. If necessary, change the Paper Texture setting from Normal to Rough.

MAKE SURE THE FUSER IS NOT WORN OR DEFECTIVE

Replace the worn or defective fuser. For more information, see the instruction sheet that came with the replacement part.

Transparency print quality is poor

Try one or more of the following:

CHECK THE TRANSPARENCIES

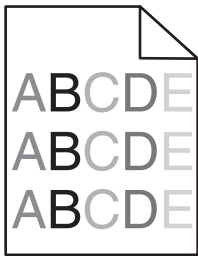
Use only transparencies that meet the printer specifications.

CHECK THE PAPER TYPE SETTING

Make sure the paper type setting is set to Transparency:

- 1 From the printer control panel Paper menu, check the Paper Type setting.
- 2 Before sending the job to print, specify the correct type setting:
 - For Windows users, specify the type from Print Properties.
 - For Macintosh users, specify the type from the Print dialog.

Uneven print density



MAKE SURE THERE IS NO DEFECTIVE OR WORN PRINT CARTRIDGE

Replace the worn or defective print cartridge.

Solving color quality problems

This section helps answer some basic color-related questions and describes how some of the features provided in the Quality Menu can be used to solve typical color problems.

FAQ about color printing

What is RGB color?

Red, green, and blue light can be added together in various amounts to produce a large range of colors observed in nature. For example, red and green can be combined to create yellow. Televisions and computer monitors create colors in this manner. RGB color is a method of describing colors by indicating the amount of red, green, or blue needed to produce a certain color.

What is CMYK color?

Cyan, magenta, yellow, and black inks or toners can be printed in various amounts to produce a large range of colors observed in nature. For example, cyan and yellow can be combined to create green. Printing presses, inkjet printers, and color laser printers create colors in this manner. CMYK color is a method of describing colors by indicating the amount of cyan, magenta, yellow, and black needed to reproduce a particular color.

How is color specified in a document to be printed?

Software programs typically specify document color using RGB or CMYK color combinations. Additionally, they allow users to modify the color of each object in a document. For more information, see the software program Help topics.

How does the printer know what color to print?

When a user prints a document, information describing the type and color of each object is sent to the printer. The color information is passed through color conversion tables that translate the color into the appropriate amounts of cyan, magenta, yellow, and black toner needed to produce the desired color. The object information determines the application of color conversion tables. For example, it is possible to apply one type of color conversion table to text while applying a different color conversion table to photographic images.

Why doesn't the printed color match the color I see on the computer screen?

The color conversion tables used in Auto Color Correction mode generally approximate the colors of a standard computer monitor. However, because of technology differences that exist between printers and monitors, there are many colors that can also be affected by monitor variations and lighting conditions. For recommendations on how the printer color sample pages may be useful in solving certain color-matching problems, see the question, "How can I match a particular color (such as a corporate logo)?"

The printed page appears tinted. Can I adjust the color?

Sometimes a printed page may appear tinted (for example, everything printed seems to be too red). This can be caused by environmental conditions, paper type, lighting conditions, or user preference. In these instances, adjust the Color Balance setting to create a more preferable color. Color Balance provides the user with the ability to make subtle adjustments to the amount of toner being used in each color plane. Selecting positive or negative values for cyan, magenta, yellow, and black (from the Color Balance menu) will slightly increase or decrease the amount of toner used for the chosen color. For example, if a printed page has a red tint, then decreasing both magenta and yellow could potentially improve the color balance.

My color transparencies seem dark when they are projected. Is there anything I can do to improve the color?

This problem most commonly occurs when projecting transparencies with reflective overhead projectors. To obtain the highest projected color quality, transmissive overhead projectors are recommended. If a reflective projector must be used, then adjusting the Toner Darkness setting to 1, 2, or 3 will lighten the transparency. Make sure to print on the recommended type of color transparencies.

What is manual color correction?

When manual color correction is enabled, the printer employs user-selected color conversion tables to process objects. However, Color Correction must be set to Manual, or no user-defined color conversion will be implemented. Manual color correction settings are specific to the type of object being printed (text, graphics, or images), and how the color of the object is specified in the software program (RGB or CMYK combinations).

Notes:

- Manual color correction is not useful if the software program does not specify colors with RGB or CMYK combinations. It is also not effective in situations in which the software program or the computer operating system controls the adjustment of colors.
- The color conversion tables—applied to each object when Color Correction is set to Auto—generate preferred colors for the majority of documents.

To manually apply a different color conversion table:

- 1 From the Quality menu, select **Color Correction**, and then select **Manual**.
- 2 From the Quality menu, select **Manual Color**, and then select the appropriate color conversion table for the affected object type.

Object type	Color conversion tables
RGB Image RGB Text RGB Graphics	<ul style="list-style-type: none"> • Vivid—Produces brighter, more saturated colors and may be applied to all incoming color formats. • sRGB Display—Produces an output that approximates the colors displayed on a computer monitor. Black toner usage is optimized for printing photographs. • Display—True Black—Produces an output that approximates the colors displayed on a computer monitor. Uses only black toner to create all levels of neutral gray. • sRGB Vivid—Provides an increased color saturation for the sRGB Display color correction. Black usage is optimized for printing business graphics. • Off—No color correction is implemented.
CMYK Image CMYK Text CMYK Graphics	<ul style="list-style-type: none"> • US CMYK—Applies color correction to approximate the SWOP (Specifications for Web Offset Publishing) color output. • Euro CMYK—Applies color correction to approximated EuroScale color output. • Vivid CMYK—Increases the color saturation of the US CMYK color correction setting. • Off—No color correction is implemented.

How can I match a particular color (such as a corporate logo)?

From the printer Quality menu, nine types of Color Samples sets are available. These are also available from the Color Samples page of the Embedded Web Server. Selecting any sample set generates a multiple-page printout consisting of hundreds of colored boxes. Either a CMYK or RGB combination is located on each box, depending on the table selected. The observed color of each box is obtained by passing the CMYK or RGB combination labeled on the box through the selected color conversion table.

By examining Color Samples sets, a user can identify the box whose color is the closest to the desired color. The color combination labeled on the box can then be used for modifying the color of the object in a software program. For more information, see the software program Help topics. Manual color correction may be necessary to utilize the selected color conversion table for the particular object.

Selecting which Color Samples set to use for a particular color-matching problem depends on the Color Correction setting being used (Auto, Off, or Manual), the type of object being printed (text, graphics, or images), and how the color of the object is specified in the software program (RGB or CMYK combinations). When the printer Color Correction setting is set to Off, the color is based on the print job information; and no color conversion is implemented.

Note: The Color Samples pages are not useful if the software program does not specify colors with RGB or CMYK combinations. Additionally, certain situations exist in which the software program or the computer operating system adjusts the RGB or CMYK combinations specified in the program through color management. The resulting printed color may not be an exact match of the Color Samples pages.

What are detailed Color Samples and how do I access them?

Detailed Color Samples sets are available only through the Embedded Web Server of a network printer. A detailed Color Samples set contains a range of shades (displayed as colored boxes) that are similar to a user-defined RGB or CMYK value. The likeness of the colors in the set are dependent on the value entered in the RGB or CMYK Increment box.

To access a detailed Color Samples set from the Embedded Web Server:

- 1 Type the printer IP address or host name in the address field of your Web browser.

Note: If you do not know the IP address or host name of the printer, then you can:

- View the information on the printer control panel home screen, or in the TCP/IP section under the Networks/Ports menu.
- Print a network setup page or menu settings page and locate the information in the TCP/IP section.

- 2 Click **Configuration > Color Samples > Detailed Options**.

- 3 Select a color conversion table.

- 4 Enter the RGB or CMYK color number.

- 5 Enter an increment value from 1–255.

Note: The closer the value is to 1, the narrower the color sample range will appear.

- 6 Click **Print**.

Embedded Web Server does not open

Try one or more of the following:

CHECK THE NETWORK CONNECTION

Make sure the printer and computer are turned on and connected to the same network.

CHECK THE ADDRESS ENTERED IN THE WEB BROWSER

- Depending on the network settings, you may need to type “**https://**” instead of “**http://**” before the printer IP address to access the Embedded Web Server. For more information, contact your system support person.
- Make sure printer IP address is correct.

TEMPORARILY DISABLE WEB PROXY SERVERS

Proxy servers may block or restrict you from accessing certain Web sites including the Embedded Web Server. For more information, contact your system support person.

Contacting customer support

When you contact customer support, you will need to be able to describe the problem you are experiencing, the message on the printer display, and the troubleshooting steps you have already taken to find a solution.

You need to know your printer model type and serial number. For more information, see the label at the back of the printer. The serial number is also listed on the menu settings page.

Lexmark has various ways to help you solve your printing problem. Visit the Lexmark Web site at <http://support.lexmark.com>, and then select one of the following:

Tech Library	You can browse our library of manuals, support documentation, drivers, and other downloads to help you solve common problems.
E-mail	You can send an e-mail to the Lexmark team, describing your problem. A service representative will respond and provide you with information to solve your problem.
Live chat	You can chat directly with a service representative. They can work with you to solve your printer problem or provide assistance through Assisted Service where the service representative can remotely connect to your computer through the Internet to troubleshoot problems, install updates, or complete other tasks to help you successfully use your Lexmark product.

Telephone support is also available. In the U.S. or Canada, call 1-800-539-6275. For other countries or regions, visit <http://support.lexmark.com>.

Notices

Product information

Product name:

Lexmark C792e, C792de, C792dte, C792dhe, CS792

Machine type:

5062

Model(s):

210, 230, 235

Edition notice

October 2014

The following paragraph does not apply to any country where such provisions are inconsistent with local law:

LEXMARK INTERNATIONAL, INC., PROVIDES THIS PUBLICATION "AS IS" WITHOUT WARRANTY OF ANY KIND, EITHER EXPRESS OR IMPLIED, INCLUDING, BUT NOT LIMITED TO, THE IMPLIED WARRANTIES OF MERCHANTABILITY OR FITNESS FOR A PARTICULAR PURPOSE. Some states do not allow disclaimer of express or implied warranties in certain transactions; therefore, this statement may not apply to you.

This publication could include technical inaccuracies or typographical errors. Changes are periodically made to the information herein; these changes will be incorporated in later editions. Improvements or changes in the products or the programs described may be made at any time.

References in this publication to products, programs, or services do not imply that the manufacturer intends to make these available in all countries in which it operates. Any reference to a product, program, or service is not intended to state or imply that only that product, program, or service may be used. Any functionally equivalent product, program, or service that does not infringe any existing intellectual property right may be used instead. Evaluation and verification of operation in conjunction with other products, programs, or services, except those expressly designated by the manufacturer, are the user's responsibility.

For Lexmark technical support, visit <http://support.lexmark.com>.

For information on supplies and downloads, visit www.lexmark.com.

© 2014 Lexmark International, Inc.

All rights reserved.

GOVERNMENT END USERS

The Software Program and any related documentation are "Commercial Items," as that term is defined in 48 C.F.R. 2.101, "Computer Software" and "Commercial Computer Software Documentation," as such terms are used in 48 C.F.R. 12.212 or 48 C.F.R. 227.7202, as applicable. Consistent with 48 C.F.R. 12.212 or 48 C.F.R. 227.7202-1 through 227.7202-4, as applicable, the Commercial Computer Software and Commercial Software Documentation are licensed to the U.S. Government end users (a) only as Commercial Items and (b) with only those rights as are granted to all other end users pursuant to the terms and conditions herein.

Trademarks

Lexmark, Lexmark with diamond design, MarkNet, and MarkVision are trademarks of Lexmark International, Inc., registered in the United States and/or other countries.

MarkTrack, PrintCryption, and StapleSmart are trademarks of Lexmark International, Inc.

PCL® is a registered trademark of the Hewlett-Packard Company. PCL is Hewlett-Packard Company’s designation of a set of printer commands (language) and functions included in its printer products. This printer is intended to be compatible with the PCL language. This means the printer recognizes PCL commands used in various application programs, and that the printer emulates the functions corresponding to the commands.

The following terms are trademarks or registered trademarks of these companies:

Albertus	The Monotype Corporation plc
Antique Olive	Monsieur Marcel OLIVE
Apple-Chancery	Apple Computer, Inc.
Arial	The Monotype Corporation plc
CG Times	Based on Times New Roman under license from The Monotype Corporation plc, is a product of Agfa Corporation
Chicago	Apple Computer, Inc.
Clarendon	Linotype-Hell AG and/or its subsidiaries
Eurostile	Nebiolo
Geneva	Apple Computer, Inc.
GillSans	The Monotype Corporation plc
Helvetica	Linotype-Hell AG and/or its subsidiaries
Hoefler	Jonathan Hoefler Type Foundry
ITC Avant Garde Gothic	International Typeface Corporation
ITC Bookman	International Typeface Corporation
ITC Mona Lisa	International Typeface Corporation
ITC Zapf Chancery	International Typeface Corporation
Joanna	The Monotype Corporation plc
Marigold	Arthur Baker
Monaco	Apple Computer, Inc.
New York	Apple Computer, Inc.
Oxford	Arthur Baker
Palatino	Linotype-Hell AG and/or its subsidiaries
Stempel Garamond	Linotype-Hell AG and/or its subsidiaries
Taffy	Agfa Corporation
Times New Roman	The Monotype Corporation plc
Univers	Linotype-Hell AG and/or its subsidiaries

All other trademarks are the property of their respective owners.

AirPrint and the AirPrint logo are trademarks of Apple, Inc.

Federal Communications Commission (FCC) compliance information statement

This product has been tested and found to comply with the limits for a Class A digital device, pursuant to Part 15 of the FCC Rules. Operation is subject to the following two conditions: (1) this device may not cause harmful interference, and (2) this device must accept any interference received, including interference that may cause undesired operation.

The FCC Class A limits are designed to provide reasonable protection against harmful interference when the equipment is operated in a commercial environment. This equipment generates, uses, and can radiate radio frequency energy and, if not installed and used in accordance with the instruction manual, may cause harmful interference to radio communications. Operation of this equipment in a residential area is likely to cause harmful interference, in which case the user will be required to correct the interference at his own expense.

The manufacturer is not responsible for any radio or television interference caused by using other than recommended cables or by unauthorized changes or modifications to this equipment. Unauthorized changes or modifications could void the user's authority to operate this equipment.

Note: To assure compliance with FCC regulations on electromagnetic interference for a Class A computing device, use a properly shielded and grounded cable such as Lexmark part number 1021231 for parallel attach or 1021294 for USB attach. Use of a substitute cable not properly shielded and grounded may result in a violation of FCC regulations.

Modular component notice

This product may contain the following modular component(s):

Lexmark regulatory type/model LEX-M01-003; FCC ID: IYLM01003; IC: 2376A-M01003

Licensing notices

All licensing notices associated with this product can be viewed from the root directory of the installation software CD.

Noise emission levels

The following measurements were made in accordance with ISO 7779 and reported in conformance with ISO 9296.

Note: Some modes may not apply to your product.

1-meter average sound pressure, dBA	
Printing	53 (color); 52 (mono)
Ready	30

Values are subject to change. See www.lexmark.com for current values.

Waste from Electrical and Electronic Equipment (WEEE) directive



The WEEE logo signifies specific recycling programs and procedures for electronic products in countries of the European Union. We encourage the recycling of our products.

If you have further questions about recycling options, visit the Lexmark Web site at www.lexmark.com for your local sales office phone number.

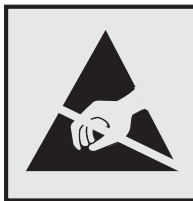
India E-Waste notice

This product complies with the India E-Waste (Management and Handling) Rules, 2011, which prohibit use of lead, mercury, hexavalent chromium, polybrominated biphenyls, or polybrominated diphenyl ethers in concentrations exceeding 0.1% by weight and 0.01% by weight for cadmium, except for the exemption set in Schedule II of the Rules.

Battery notice

This product contains Perchlorate material. Special handling may apply. For more information, go to <http://www.dtsc.ca.gov/hazardouswaste/perchlorate/>.

Static sensitivity notice



This symbol identifies static-sensitive parts. Do not touch in the areas near these symbols without first touching the metal frame of the printer.

ENERGY STAR

Any Lexmark product bearing the ENERGY STAR emblem on the product or on a start-up screen is certified to comply with Environmental Protection Agency (EPA) ENERGY STAR requirements as configured when shipped by Lexmark.



Temperature information

Ambient operating temperature	15.6 to 32.2°C (60 to 90°F)
Shipping and storage temperature	-40 to 40°C (-40 to 104°F)

Laser notice

The printer is certified in the U.S. to conform to the requirements of DHHS 21 CFR Chapter I, Subchapter J for Class I (1) laser products, and elsewhere is certified as a Class I laser product conforming to the requirements of IEC 60825-1.

Class I laser products are not considered to be hazardous. The printer contains internally a Class IIIb (3b) laser that is nominally a 10 milliwatt gallium arsenide laser operating in the wavelength of 787-800 nanometers. The laser system and printer are designed so there is never any human access to laser radiation above a Class I level during normal operation, user maintenance, or prescribed service condition.

Laser advisory label

A laser notice label may be affixed to this printer as shown:

DANGER - Invisible laser radiation when cartridges are removed and interlock defeated. Avoid exposure to laser beam.

PERIGO - Radiação a laser invisível será liberada se os cartuchos forem removidos e o lacre rompido. Evite a exposição aos feixes de laser.

Opasnost - Nevidljivo lasersko zračenje kada su kasete uklonjene i poništena sigurnosna veza. Izbjegavati izlaganje zracima.

NEBEZPEČÍ - Když jsou vyjmuty kazety a je odblokována pojistka, ze zařízení je vysíláno neviditelné laserové záření. Nevystavujte se působení laserového paprsku.

FARE - Usynlig laserstråling, når patroner fjernes, og spærreanordningen er slået fra. Undgå at blive udsat for laserstrålen.

GEVAAR - Onzichtbare laserstraling wanneer cartridges worden verwijderd en een vergrendeling wordt genegeerd. Voorkom blootstelling aan de laser.

DANGER - Rayonnements laser invisibles lors du retrait des cartouches et du déverrouillage des loquets. Eviter toute exposition au rayon laser.

VAARA - Näkymättöntä lasersäteilyä on varottava, kun värikasetit on poistettu ja lukitus on auki. Vältä lasersäteelle altistumista.

GEFAHR - Unsichtbare Laserstrahlung beim Herausnehmen von Druckkassetten und offener Sicherheitssperre. Laserstrahl meiden.

ΚΙΝΔΥΝΟΣ - Εκκλυση αόρατης ακτινοβολίας laser κατά την αφαίρεση των κασετών και την απασφάλιση της μανδάλωσης. Αποφεύγετε την έκθεση στην ακτινοβολία laser.

VESZÉLY - Nem látható lézersugárzás fordulhat elő a patronok eltávolításakor és a zárószervezet felbontásakor. Kerülje a lézersugárnak való kitettséget.

PERICOLO - Emissione di radiazioni laser invisibili durante la rimozione delle cartucce e del blocco. Evitare l'esposizione al raggio laser.

FARE - Usynlig laserstråling når kassetene tas ut og sperrer er satt ut av spill. Unngå eksponering for laserstrålen.

NIEBEZPIECZENSTWO - niewidzialne promieniowanie laserowe podczas usuwania kaset i blokady. Należy unikać naświetlenia promieniami lasera.

ОПАСНО! Невидимое лазерное излучение при извлеченных картриджах и снятии блокировки. Избегайте воздействия лазерных лучей.

Pozor - Nebezpečnostvo neviditeľného laserového žiarenia pri odobratých kazetách a odblokovanej pojistke. Nevystavujte sa lúčom.

PELIGRO: Se producen radiaciones láser invisibles al extraer los cartuchos con el interbloqueo desactivado. Evite la exposición al haz de láser.

FARA - Osynlig laserstråling när patroner tas ur och spärrmekanismen är upphävd. Undvik exponering för laserstrålen.

危険 - 当移除碳粉盒及互锁失效时会产生看不见的激光辐射，请避免暴露在激光光束下。

危険 - 移除碳粉匣與安全連續開關失效時會產生看不見的雷射輻射。請避免暴露在雷射光束下。

危険 - カートリッジが取り外され、内部ロックが無効になると、見えないレーザー光が放射されます。このレーザー光に当たらないようにしてください。

Power consumption

Product power consumption

The following table documents the power consumption characteristics of the product.

Note: Some modes may not apply to your product.

Mode	Description	Power consumption (Watts)
Active	The product is generating hard-copy output from electronic inputs.	850 W
Idle	The product is waiting for a print job.	50 W
Sleep Mode	The product is in a high-level energy-saving mode.	10 W
Hibernate	The product is in a low-level energy-saving mode.	0.55 W
Off	The product is plugged into a wall outlet, but the power switch is turned off.	0 W

The power consumption levels listed in the previous table represent time-averaged measurements. Instantaneous power draws may be substantially higher than the average.

Values are subject to change. See www.lexmark.com for current values.

Sleep Mode

This product is designed with an energy-saving mode called *Sleep Mode*. The Sleep Mode saves energy by lowering power consumption during extended periods of inactivity. The Sleep Mode is automatically engaged after this product is not used for a specified period of time, called the *Sleep Mode Timeout*.

Factory default Sleep Mode Timeout for this product (in minutes):	20
---	----

By using the configuration menus, the Sleep Mode Timeout can be modified between 1 minute and 240 minutes. Setting the Sleep Mode Timeout to a low value reduces energy consumption, but may increase the response time of the product. Setting the Sleep Mode Timeout to a high value maintains a fast response, but uses more energy.

Hibernate Mode

This product is designed with an ultra-low power operating mode called *Hibernate mode*. When operating in Hibernate Mode, all other systems and devices are powered down safely.

The Hibernate mode can be entered in any of the following methods:

- Using the Hibernate Timeout
- Using the Schedule Power modes
- Using the Sleep/Hibernate button

Factory default Hibernate Timeout for this product in all countries or regions	3 days
--	--------

The amount of time the printer waits after a job is printed before it enters Hibernate mode can be modified between one hour and one month.

Off mode

If this product has an off mode which still consumes a small amount of power, then to completely stop product power consumption, disconnect the power supply cord from the electrical outlet.

Total energy usage

It is sometimes helpful to calculate the total product energy usage. Since power consumption claims are provided in power units of Watts, the power consumption should be multiplied by the time the product spends in each mode in order to calculate energy usage. The total product energy usage is the sum of each mode's energy usage.

Industry Canada compliance statement

This Class A digital apparatus meets all requirements of the Canadian Interference-Causing Equipment Standard ICES-003.

Avis de conformité aux normes de l'industrie du Canada

Cet appareil numérique de classe A est conforme aux exigences de la norme canadienne relative aux équipements pouvant causer des interférences NMB-003.

Japanese VCCI notice

製品にこのラベルが表示されている場合、
次の要件を満たしています。

この装置は、クラス A 情報技術装置です。この装置を家庭環境で使用すると電波妨害を引き起こすことがあります。この場合には使用者が適切な対策を講ずるよう要求されることがあります。 VCCI-A

この装置は、クラス A 情報技術装置です。この装置を家庭環境で使用すると電波妨害を引き起こすことがあります。この場合には使用者が適切な対策を講ずるよう要求されることがあります。 VCCI-A

European Community (EC) directives conformity

This product is in conformity with the protection requirements of EC Council directives 2004/108/EC and 2006/95/EC on the approximation and harmonization of the laws of the Member States relating to electromagnetic compatibility and safety of electrical equipment designed for use within certain voltage limits.

The manufacturer of this product is: Lexmark International, Inc., 740 West New Circle Road, Lexington, KY, 40550 USA. The authorized representative is: Lexmark International Technology Hungária Kft., 8 Lechner Ödön fasor, Millennium Tower III, 1095 Budapest HUNGARY, A declaration of conformity to the requirements of the Directives is available upon request from the Authorized Representative.

This product satisfies the Class A limits of EN 55022 and safety requirements of EN 60950.

Radio interference notice

Warning

This is a product that complies with the emission requirements of EN55022 Class A limits and immunity requirements of EN55024. This product is not intended to be used in residential/domestic environments.

This is a Class A product. In a domestic environment, this product may cause radio interference, in which case the user may be required to take adequate measures.

Regulatory notices for wireless products

This section contains the following regulatory information pertaining to wireless products that contain transmitters, for example, but not limited to, wireless network cards or proximity card readers.

Exposure to radio frequency radiation

The radiated output power of this device is far below the radio frequency exposure limits of the FCC and other regulatory agencies. A minimum separation of 20 cm (8 inches) must be maintained between the antenna and any persons for this device to satisfy the RF exposure requirements of the FCC and other regulatory agencies.

Industry Canada (Canada)

This device complies with Industry Canada specification RSS-210. Operation is subject to the following two conditions: (1) this device may not cause interference, and (2) this device must accept any interference, including interference that may cause undesired operation of the device.

This device has been designed to operate only with the antenna provided. Use of any other antenna is strictly prohibited per regulations of Industry Canada.

To prevent radio interference to the licensed service, this device is intended to be operated indoors and away from windows to provide maximum shielding. Equipment (or its transmit antenna) that is installed outdoors is subject to licensing.

The installer of this radio equipment must ensure that the antenna is located or pointed such that it does not emit RF fields in excess of Health Canada limits for the general population; consult Safety Code 6, obtainable from Health Canada's Web site www.hc-sc.gc.ca/rpb.

The term "IC:" before the certification/registration number only signifies that the Industry Canada technical specifications were met.

Industry Canada (Canada)

Cet appareil est conforme à la norme RSS-210 d'Industry Canada. Son fonctionnement est soumis aux deux conditions suivantes :

(1) cet appareil ne doit pas provoquer d'interférences et (2) il doit accepter toute interférence reçue, y compris celles risquant d'altérer son fonctionnement.

Cet appareil a été conçu pour fonctionner uniquement avec l'antenne fournie. L'utilisation de toute autre antenne est strictement interdite par la réglementation d'Industry Canada.

En application des réglementations d'Industry Canada, l'utilisation d'une antenne de gain supérieur est strictement interdite.

Pour empêcher toute interférence radio au service faisant l'objet d'une licence, cet appareil doit être utilisé à l'intérieur et loin des fenêtres afin de garantir une protection optimale.

Si le matériel (ou son antenne d'émission) est installé à l'extérieur, il doit faire l'objet d'une licence.

L'installateur de cet équipement radio doit veiller à ce que l'antenne soit implantée et dirigée de manière à n'émettre aucun champ HF dépassant les limites fixées pour l'ensemble de la population par Santé Canada. Reportez-vous au Code de sécurité 6 que vous pouvez consulter sur le site Web de Santé Canada www.hc-sc.gc.ca/rpb.

Le terme « IC » précédant le numéro de d'accréditation/inscription signifie simplement que le produit est conforme aux spécifications techniques d'Industry Canada.

Notice to users in the European Union

Products bearing the CE mark are in conformity with the protection requirements of EC Council directives 2004/108/EC, 2006/95/EC, and 1999/5/EC on the approximation and harmonization of the laws of the Member States relating to electromagnetic compatibility, safety of electrical equipment designed for use within certain voltage limits, and on radio equipment and telecommunications terminal equipment.

Compliance is indicated by the CE marking.



The manufacturer of this product is: Lexmark International, Inc., 740 West New Circle Road, Lexington, KY, 40550 USA. The authorized representative is: Lexmark International Technology Hungária Kft., 8 Lechner Ödön fasor, Millennium Tower III, 1095 Budapest HUNGARY, A declaration of conformity to the requirements of the Directives is available upon request from the Authorized Representative.

This product satisfies the Class A limits of EN 55022 and safety requirements of EN 60950.

Products equipped with 2.4GHz Wireless LAN option are in conformity with the protection requirements of EC Council directives 2004/108/EC, 2006/95/EC, and 1999/5/EC on the approximation and harmonization of the laws of the Member States relating to electromagnetic compatibility, safety of electrical equipment designed for use within certain voltage limits and on radio equipment and telecommunications terminal equipment.

Compliance is indicated by the CE marking.



Operation is allowed in all EU and EFTA countries, but is restricted to indoor use only.

The manufacturer of this product is: Lexmark International, Inc., 740 West New Circle Road, Lexington, KY, 40550 USA. The authorized representative is: Lexmark International Technology Hungária Kft., 8 Lechner Ödön fasor, Millennium Tower III, 1095 Budapest HUNGARY, A declaration of conformity to the requirements of the Directives is available upon request from the Authorized Representative.

This product may be used in the countries indicated in the table below.

AT	BE	BG	CH	CY	CZ	DE	DK	EE
EL	ES	FI	FR	HR	HU	IE	IS	IT
LI	LT	LU	LV	MT	NL	NO	PL	PT
RO	SE	SI	SK	TR	UK			

Česky	Společnost Lexmark International, Inc. tímto prohlašuje, že výrobek tento výrobek je ve shodě se základními požadavky a dalšími příslušnými ustanoveními směrnice 1999/5/ES.
Dansk	Lexmark International, Inc. erklærer herved, at dette produkt overholder de væsentlige krav og øvrige relevante krav i direktiv 1999/5/EF.
Deutsch	Hiermit erklärt Lexmark International, Inc., dass sich das Gerät dieses Gerät in Übereinstimmung mit den grundlegenden Anforderungen und den übrigen einschlägigen Bestimmungen der Richtlinie 1999/5/EG befindet.
Ελληνική	ΜΕ ΤΗΝ ΠΑΡΟΥΣΑ Η LEXMARK INTERNATIONAL, INC. ΔΗΛΩΝΕΙ ΟΤΙ ΑΥΤΟ ΤΟ ΠΡΟΪΟΝ ΣΥΜΜΟΡΦΩΝΕΤΑΙ ΠΡΟΣ ΤΙΣ ΟΥΣΙΩΔΕΙΣ ΑΠΑΙΤΗΣΕΙΣ ΚΑΙ ΤΙΣ ΛΟΙΠΕΣ ΣΧΕΤΙΚΕΣ ΔΙΑΤΑΞΕΙΣ ΤΗΣ ΟΔΗΓΙΑΣ 1999/5/ΕΚ.
English	Hereby, Lexmark International, Inc., declares that this type of equipment is in compliance with the essential requirements and other relevant provisions of Directive 1999/5/EC.
Español	Por medio de la presente, Lexmark International, Inc. declara que este producto cumple con los requisitos esenciales y cualesquiera otras disposiciones aplicables o exigibles de la Directiva 1999/5/CE.
Eesti	Käesolevaga kinnitab Lexmark International, Inc., et seade see toode vastab direktiivi 1999/5/EÜ põhinõuetele ja nimetatud direktiivist tulenevatele muudele asjakohastele sätetele.
Suomi	Lexmark International, Inc. vakuuttaa täten, että tämä tuote on direktiivin 1999/5/EY oleellisten vaatimusten ja muiden sitä koskevien direktiivin ehtojen mukainen.
Français	Par la présente, Lexmark International, Inc. déclare que l'appareil ce produit est conforme aux exigences fondamentales et autres dispositions pertinentes de la directive 1999/5/CE.
Magyar	Alulírott, Lexmark International, Inc. nyilatkozom, hogy a termék megfelel a vonatkozó alapvető követelményeknek és az 1999/5/EC irányelv egyéb előírásainak.
Íslenska	Hér með lýsir Lexmark International, Inc. yfir því að þessi vara er í samræmi við grunnkröfur og aðrar kröfur, sem gerðar eru í tilskipun 1999/5/EC.
Italiano	Con la presente Lexmark International, Inc. dichiara che questo questo prodotto è conforme ai requisiti essenziali ed alle altre disposizioni pertinenti stabilite dalla direttiva 1999/5/CE.
Latviski	Ar šo Lexmark International, Inc. deklarē, ka šis izstrādājums atbilst Direktīvas 1999/5/EK būtiskajām prasībām un citiem ar to saistītajiem noteikumiem.
Lietuvių	Šiuo Lexmark International, Inc. deklaruoja, kad šis produktas atitinka esminius reikalavimus ir kitas 1999/5/EB direktyvos nuostatas.
Malti	Bil-preżenti, Lexmark International, Inc., jiddikjara li dan il-prodott huwa konformi mal-ftigijiet essenzjali u ma dispożizzjonijiet oħrajn relevanti li jinsabu fid-Direttiva 1999/5/KE.
Nederlands	Hierbij verklaart Lexmark International, Inc. dat het toestel dit product in overeenstemming is met de essentiële eisen en de andere relevante bepalingen van richtlijn 1999/5/EG.
Norsk	Lexmark International, Inc. erklærer herved at dette produktet er i samsvar med de grunnleggende krav og øvrige relevante krav i direktiv 1999/5/EF.

Polski	Niniejszym Lexmark International, Inc. oświadcza, że niniejszy produkt jest zgodny z zasadniczymi wymogami oraz pozostałymi stosownymi postanowieniami Dyrektywy 1999/5/EC.
Português	A Lexmark International Inc. declara que este produto está conforme com os requisitos essenciais e outras disposições da Diretiva 1999/5/CE.
Slovensky	Lexmark International, Inc. týmto vyhlasuje, že tento produkt spĺňa základné požiadavky a všetky príslušné ustanovenia smernice 1999/5/ES.
Slovensko	Lexmark International, Inc. izjavlja, da je ta izdelek v skladu z bistvenimi zahtevami in ostalimi relevantnimi določili direktive 1999/5/ES.
Svenska	Härmed intygar Lexmark International, Inc. att denna produkt står i överensstämmelse med de väsentliga egenskapskrav och övriga relevanta bestämmelser som framgår av direktiv 1999/5/EG.

STATEMENT OF LIMITED WARRANTY FOR LEXMARK LASER PRINTERS, LEXMARK LED PRINTERS, AND LEXMARK MULTIFUNCTION LASER PRINTERS

Lexmark International, Inc., Lexington, KY

This limited warranty applies to the United States and Canada. For customers outside the U.S., refer to the country-specific warranty information that came with your product.

This limited warranty applies to this product only if it was originally purchased for your use, and not for resale, from Lexmark or a Lexmark Remarketer, referred to in this statement as “Remarketer.”

Limited warranty

Lexmark warrants that this product:

- Is manufactured from new parts, or new and serviceable used parts, which perform like new parts
- Is, during normal use, free from defects in material and workmanship

If this product does not function as warranted during the warranty period, contact a Remarketer or Lexmark for repair or replacement (at Lexmark's option).

If this product is a feature or option, this statement applies only when that feature or option is used with the product for which it was intended. To obtain warranty service, you may be required to present the feature or option with the product.

If you transfer this product to another user, warranty service under the terms of this statement is available to that user for the remainder of the warranty period. You should transfer proof of original purchase and this statement to that user.

Limited warranty service

The warranty period starts on the date of original purchase as shown on the purchase receipt and ends 12 months later provided that the warranty period for any supplies and for any maintenance items included with the printer shall end earlier if it, or its original contents, are substantially used up, depleted, or consumed. Fuser Units, Transfer/Transport Units, Paper Feed items, if any, and any other items for which a Maintenance Kit is available are substantially consumed when the printer displays a “Life Warning” or “Scheduled Maintenance” message for such item.

To obtain warranty service you may be required to present proof of original purchase. You may be required to deliver your product to the Remarketer or Lexmark, or ship it prepaid and suitably packaged to a Lexmark designated location. You are responsible for loss of, or damage to, a product in transit to the Remarketer or the Lexmark designated location.

When warranty service involves the exchange of a product or part, the item replaced becomes the property of the Remarketer or Lexmark. The replacement may be a new or repaired item.

The replacement item assumes the remaining warranty period of the original product.

Replacement is not available to you if the product you present for exchange is defaced, altered, in need of a repair not included in warranty service, damaged beyond repair, or if the product is not free of all legal obligations, restrictions, liens, and encumbrances.

As part of your warranty service and/or replacement, Lexmark may update the firmware in your printer to the latest version. Firmware updates may modify printer settings and cause counterfeit and/or unauthorized products, supplies, parts, materials (such as toners and inks), software, or interfaces to stop working. Authorized use of genuine Lexmark products will not be impacted.

Before you present this product for warranty service, remove all print cartridges, programs, data, and removable storage media (unless directed otherwise by Lexmark).

For further explanation of your warranty alternatives and the nearest Lexmark authorized servicer in your area contact Lexmark on the World Wide Web.

Remote technical support is provided for this product throughout its warranty period. For products no longer covered by a Lexmark warranty, technical support may not be available or only be available for a fee.

Extent of limited warranty

Lexmark does not warrant uninterrupted or error-free operation of any product or the durability or longevity of prints produced by any product.

Warranty service does not include repair of failures caused by:

- Modification or unauthorized attachments
- Accidents, misuse, abuse or use inconsistent with Lexmark user's guides, manuals, instructions or guidance
- Unsuitable physical or operating environment
- Maintenance by anyone other than Lexmark or a Lexmark authorized servicer
- Operation of a product beyond the limit of its duty cycle
- Use of printing media outside of Lexmark specifications
- Refurbishment, repair, refilling or remanufacture by a third party of products, supplies or parts
- Products, supplies, parts, materials (such as toners and inks), software, or interfaces not furnished by Lexmark

TO THE EXTENT PERMITTED BY APPLICABLE LAW, NEITHER LEXMARK NOR ITS THIRD PARTY SUPPLIERS OR REMARKETERS MAKE ANY OTHER WARRANTY OR CONDITION OF ANY KIND, WHETHER EXPRESS OR IMPLIED, WITH RESPECT TO THIS PRODUCT, AND SPECIFICALLY DISCLAIM THE IMPLIED WARRANTIES OR CONDITIONS OF MERCHANTABILITY, FITNESS FOR A PARTICULAR PURPOSE, AND SATISFACTORY QUALITY. ANY WARRANTIES THAT MAY NOT BE DISCLAIMED UNDER APPLICABLE LAW ARE LIMITED IN DURATION TO THE WARRANTY PERIOD. NO WARRANTIES, EXPRESS OR IMPLIED, WILL APPLY AFTER THIS PERIOD. ALL INFORMATION, SPECIFICATIONS, PRICES, AND SERVICES ARE SUBJECT TO CHANGE AT ANY TIME WITHOUT NOTICE.

Limitation of liability

Your sole remedy under this limited warranty is set forth in this document. For any claim concerning performance or nonperformance of Lexmark or a Remarketer for this product under this limited warranty, you may recover actual damages up to the limit set forth in the following paragraph.

Lexmark's liability for actual damages from any cause whatsoever will be limited to the amount you paid for the product that caused the damages. This limitation of liability will not apply to claims by you for bodily injury or damage to real property or tangible personal property for which Lexmark is legally liable. **IN NO EVENT WILL LEXMARK BE LIABLE FOR ANY LOST PROFITS, LOST SAVINGS, INCIDENTAL DAMAGE, OR OTHER ECONOMIC OR CONSEQUENTIAL DAMAGES.** This is true even if you advise Lexmark or a Remarketer of the possibility of such damages. Lexmark is not liable for any claim by you based on a third party claim.

This limitation of remedies also applies to claims against any Suppliers and Remarketers of Lexmark. Lexmark's and its Suppliers' and Remarketers' limitations of remedies are not cumulative. Such Suppliers and Remarketers are intended beneficiaries of this limitation.

Additional rights

Some states do not allow limitations on how long an implied warranty lasts, or do not allow the exclusion or limitation of incidental or consequential damages, so the limitations or exclusions contained above may not apply to you.

This limited warranty gives you specific legal rights. You may also have other rights that vary from state to state.

Patent acknowledgment

The use of this product or service is subject to the reasonable, non-discriminatory terms in the Intellectual Property Rights (IPR) Disclosure of Certicom Corp. at the IETF for Elliptic Curve Cryptography (ECC) Cipher Suites for Transport Layer Security (TLS) implemented in the product or service.

The use of this product or service is subject to the reasonable, non-discriminatory terms in the Intellectual Property Rights (IPR) Disclosure of Certicom Corp. at the IETF for TLS Elliptic Curve Cipher Suites with SHA-256/382 and AES Galois Counter Mode (GCM) implemented in the product or service.

The use of this product or service is subject to the reasonable, non-discriminatory terms in the Intellectual Property Rights (IPR) Disclosure of Certicom Corp. at the IETF for TLS Suite B Profile for Transport Layer Security (TLS) implemented in the product or service.

The use of this product or service is subject to the reasonable, non-discriminatory terms in the Intellectual Property Rights (IPR) Disclosure of Certicom Corp. at the IETF for Addition of the Camellia Cipher Suites to Transport Layer Security (TLS) implemented in the product or service.

The use of certain patents in this product or service is subject to the reasonable, non-discriminatory terms in the Intellectual Property Rights (IPR) Disclosure of Certicom Corp. at the IETF for AES-CCM ECC Cipher Suites for TLS implemented in the product or service.

The use of this product or service is subject to the reasonable, non-discriminatory terms in the Intellectual Property Rights (IPR) Disclosure of Certicom Corp. at the IETF for IKE and IKEv2 Authentication Using the Elliptic Curve Digital Signature Algorithm (ECDSA) implemented in the product or service.

The use of this product or service is subject to the reasonable, non-discriminatory terms in the Intellectual Property Rights (IPR) Disclosure of Certicom Corp. at the IETF for Suite B Cryptographic Suites for IPsec implemented in the product or service.

The use of this product or service is subject to the reasonable, non-discriminatory terms in the Intellectual Property Rights (IPR) Disclosure of Certicom Corp. at the IETF for Algorithms for Internet Key Exchange version 1 (IKEv1) implemented in the product or service.

Index

Numerics

- 1565 Emulation error, load emulation option 177
- 2,000-sheet high-capacity feeder installing 39
- 200 paper jam 153
- 2000-sheet high-capacity feeder loading 60
- 201 paper jam 153
- 202–203 paper jams 154
- 230 paper jam 155
- 231–239 paper jams 156
- 24x paper jam 156
- 250 paper jam 157
- 31.xx Missing or Defective [color] cartridge 170
- 32.xx [color] cartridge part number unsupported by device 170
- 34 Incorrect paper size, open [src] 170
- 35 Insufficient memory to support Resource Save feature 170
- 36 Printer service required 170
- 37 Insufficient memory for Flash Memory Defragment operation 171
- 37 Insufficient memory to collate job 171
- 37 Insufficient memory, some Held Jobs were deleted 171
- 37 Insufficient memory, some held jobs will not be restored 171
- 38 Memory full 171
- 39 Complex page, some data may not have printed 171
- 40 [color] invalid refill, change cartridge 171
- 400–403 paper jams 158
- 431–454 paper jams 159
- 455 staple jam 159
- 456–458 paper jams 159
- 460–461 paper jams 158
- 51 Defective flash detected 172
- 52 Not enough free space in flash memory for resources 172
- 53 Unformatted flash detected 172
- 54 Network [x] software error 172
- 54 Serial option [x] error 172
- 54 Standard network software error 172
- 55 Unsupported option in slot [x] 173
- 550-sheet tray installing 39
- 550-sheet tray (standard or optional) loading 57
- 56 Parallel port [x] disabled 173
- 56 Serial port [x] disabled 173
- 56 Standard parallel port disabled 173
- 56 Standard USB port disabled 173
- 56 USB port [x] disabled 173
- 57 Configuration change, some held jobs were not restored 174
- 58 Input config error 174
- 58 Too many bins attached 174
- 58 Too many disks installed 174
- 58 Too many flash options installed 174
- 58 Too many trays attached 175
- 59 Incompatible output bin [x] 175
- 61 Remove defective disk 175
- 62 Disk full 175
- 80.xx Fuser life warning 175
- 80.xx Fuser missing 176
- 80.xx Fuser near life warning 175
- 80.xx Replace fuser 176
- 82.xx Replace waste toner bottle 176
- 82.xx Waste toner bottle missing 176
- 82.xx Waste toner bottle nearly full 176
- 83.xx Replace transfer module 176
- 83.xx Transfer module life warning 176
- 83.xx Transfer module missing 176
- 88.xx [Color] cartridge critically low 177
- 88.xx [color] cartridge low 177
- 88.xx [color] cartridge nearly low 176

A

- accessing the Embedded Web Server 17
- accessing the system board 22
- Active NIC menu 97
- adding hardware options print driver 44
- Adjusting color 162
- adjusting printer display brightness 54
- adjusting Sleep mode 54
- adjusting toner darkness 74
- administrator settings Embedded Web Server 148
- AppleTalk menu 102
- applications list home screen 18
- applications, home screen Background and Idle Screen 18 Eco-Settings 18 Forms and Favorites 18 Remote Operator Panel 18 Showroom 18
- attaching cables 42
- attaching the system board cover 22
- available internal options 21
- avoiding paper jams 151

B

- Background and Idle Screen 18
- Bin Setup menu 95
- black-and-white printing 74
- blank pages 185
- buttons, printer control panel 11
- buttons, touch screen using 14

C

- cables Ethernet 42 USB 42
- canceling a print job from a computer 81 from the printer control panel 81
- cannot open Embedded Web Server 199

- card stock
 - loading in multipurpose feeder 63
 - tips 78
 - Change [paper source] to [custom string] 163
 - Change [paper source] to [custom string] load [orientation] 163
 - Change [paper source] to [custom type name] 162
 - Change [paper source] to [custom type name] load [orientation] 162
 - Change [paper source] to [paper size] [paper type] 163
 - Change [paper source] to [paper size] [paper type] load [orientation] 163
 - checking an unresponsive printer 162
 - checking printer status
 - on Embedded Web Server 148
 - checking printer status using the Embedded Web Server 148
 - checking status of supplies 140
 - checking the status of supplies 140
 - checking the virtual display
 - using the Embedded Web Server 148
 - checking virtual display
 - using the Embedded Web Server 148
 - cleaning
 - exterior of the printer 138
 - cleaning kit
 - ordering 142
 - cleaning the printhead lenses 138
 - Close [tray] door 164
 - Close finisher side door 164
 - Close finisher top cover 164
 - Close front door 164
 - Close left side door 163
 - Close paper transport cover 163
 - confidential print jobs 79
 - printing from a Macintosh computer 79
 - printing from Windows 79
 - Confidential Print menu 110
 - configuration information
 - wireless network 45
 - Configure MP menu 88
 - configuring port settings 50
 - conservation settings
 - brightness, adjusting 54
 - conserving supplies 52
 - Eco-Mode 53
 - Hibernate mode 53
 - Quiet Mode 54
 - Sleep Mode 54
 - conserving supplies 52
 - contacting customer support 199
 - corrupted printer hard disk 164
 - Custom Bin Names menu 94
 - Custom Names menu 94
 - custom paper type
 - assigning 66
 - custom paper type name
 - creating 66
 - Custom Types menu 93
 - customer support
 - contacting 199
- D**
- Default Source menu 84
 - device and network settings
 - erasing 135
 - directory list
 - printing 80
 - disk wiping 136
 - display troubleshooting
 - display is blank 178
 - display shows only diamonds 178
 - display, printer control panel 11
 - adjusting brightness 54
 - documents, printing
 - from Macintosh 74
 - from Windows 74
- E**
- Eco-Mode setting 53
 - Eco-Settings 19
 - embedded solutions
 - erasing 135
 - Embedded Web Server
 - accessing 17, 148
 - adjusting brightness 54
 - administrator settings 148
 - checking printer status 148
 - checking supplies 140
 - functions 148
 - networking settings 148
 - problem accessing 199
 - setting up e-mail alerts 149
 - using 148
 - Embedded Web Server — Security: Administrator's Guide
 - where to find 148
 - emission notices 203, 207, 208, 209
 - Empty the hole punch box 164
 - encrypting the printer hard disk 136
 - envelopes
 - loading in multipurpose feeder 63
 - tips on using 77
 - environmental settings
 - conserving supplies 52
 - Eco-Mode 53
 - Hibernate mode 53
 - printer display brightness, adjusting 54
 - Quiet Mode 54
 - Sleep Mode 54
 - Erase Temporary Data Files menu 111
 - erasing hard disk memory 136
 - erasing non-volatile memory 135
 - erasing volatile memory 135
 - Ethernet port 42
 - exit bins
 - linking 66
 - exporting a configuration
 - using the Embedded Web Server 20
 - exterior of the printer
 - cleaning 138
 - e-mail alerts
 - low supply levels 149
 - paper jam 149
 - setting up 149
- F**
- factory defaults
 - restoring 149
 - FAQ about color printing 196
 - FCC notices 203, 208
 - finding more information about the printer 8
 - finding printer IP address 17
 - finisher
 - finishing features 40
 - supported paper sizes 40
 - finisher features 40
 - Finishing menu 123
 - firmware card
 - installing 28

- flash drive
 - printing from 75
- Flash Drive menu 119
- flash drives
 - supported file types 76
- flash memory card
 - installing 28
 - troubleshooting 183
- font sample list
 - printing 80
- Forms and Favorites 18
- fuser or transfer module
 - ordering 141
- G**
- General Settings menu 113
- green settings
 - Eco-Mode 53
 - Hibernate mode 53
 - Quiet Mode 54
- H**
- hardware options, adding
 - print driver 44
- held jobs 79
 - printing from a Macintosh computer 79
 - printing from Windows 79
- Help menu 133
- Hibernate mode
 - using 53
- hiding icons on the home screen 18
- home screen
 - applications 18
 - buttons, understanding 13
 - hiding icons 18
 - showing icons 18
- home screen applications
 - using 18
- home screen buttons
 - understanding 13
- HTML menu 132
- I**
- Image menu 133
- importing a configuration
 - using the Embedded Web Server 20
- individual settings
 - erasing 135
- Insert hole punch box 165
- Insert staple cartridge 165
- Install bin [x] 165
- Install envelope feeder 165
- Install Tray [x] 166
- installing a memory card 26
- installing an Internal Solutions Port 29
 - installing on a wireless network using Windows 46
- installing options
 - order of installation 39
- installing printer 44
 - on wireless network 46
- installing printer hard disk 33
- installing printer on a wireless network
 - using Macintosh 47
- installing the 2,000-sheet high-capacity feeder 39
- installing the 550-sheet tray 39
- internal print server
 - troubleshooting 184
- Internal Solutions Port
 - changing port settings 50
 - installing 29
 - troubleshooting 183
- IP address of computer
 - finding 17
- IP address, printer
 - finding 17
- IPv6 menu 100
- J**
- jam locations 151
- jam numbers
 - meaning 151
- jams
 - avoiding 151
 - locating 151
- jams, clearing
 - 200 paper jam 153
 - 201 paper jam 153
 - 202–203 paper jams 154
 - 230 paper jam 155
 - 231–239 paper jams 156
 - 24x paper jam 156
 - 250 paper jam 157
 - 400–403 paper jams 158
 - 431–454 paper jams 159
 - 455 staple jam 159
 - 456–458 paper jams 159
 - 460–461 paper jams 158
- Job Accounting menu 121
- L**
- labels, paper
 - tips 78
- letterhead
 - loading, 2000-sheet high-capacity feeder 60
 - loading, multipurpose feeder 76
 - loading, trays 76
- letterhead printing 76
- light colored line, white line, or incorrectly colored line appears on prints 189
- linking
 - exit bins 66
- linking exit bins 66
- linking trays 65, 66
- Load Manual Feeder with [custom string] 167
- Load Manual Feeder with [custom type name] 167
- Load Manual Feeder with [paper type] [paper size] 167
- Load staples 167
- loading
 - 2000-sheet high-capacity feeder 60
 - 550-sheet tray (standard or optional) 57
 - letterhead in 2000-sheet high-capacity feeder 60
 - letterhead in multipurpose feeder 76
 - multipurpose feeder 63
- loading card stock
 - in multipurpose feeder 63
- loading envelopes
 - in multipurpose feeder 63
- loading the multipurpose feeder 63
- loading the standard tray 57
- loading transparencies
 - in multipurpose feeder 63
- lock, security 22
- M**
- memory
 - types installed on printer 135
- memory card
 - installing 26
 - troubleshooting 184

- menu settings page
 - printing 43
- menus
 - Active NIC 97
 - AppleTalk 102
 - Bin Setup 95
 - Confidential Print 110
 - Configure MP 88
 - Custom Bin Names 94
 - Custom Names 94
 - Custom Types 93
 - Default Source 84
 - diagram of 82
 - Erase Temporary Data Files 111
 - Finishing 123
 - Flash Drive 119
 - General Settings 113
 - Help 133
 - HTML 132
 - Image 133
 - IPv6 100
 - Job Accounting 121
 - Miscellaneous Security
 - Settings 110
 - Network [x] 97
 - Network Card 99
 - Network Reports 99
 - Paper Loading 92
 - Paper Size/Type 85
 - Paper Texture 88
 - Paper Weight 90
 - Parallel [x] 104
 - PCL Emul 129
 - PDF 128
 - PostScript 129
 - Quality 125
 - Reports 96
 - Security Audit Log 112
 - Serial [x] 106
 - Set Date and Time 112
 - Setup 121
 - SMTP Setup menu 108
 - Standard Network 97
 - Standard USB 102
 - Substitute Size 88
 - Supplies 83
 - TCP/IP 99
 - Utilities 128
 - Wireless 101
 - XPS 128
- menus diagram 82

- Miscellaneous Security Settings
 - menu 110
- mobile device
 - printing from 76
- moving the printer 146, 147
- moving your printer 9
- multipurpose feeder
 - loading 63

N

- Network [x] menu 97
- Network Card menu 99
- network options 21
- Network Reports menu 99
- network settings
 - Embedded Web Server 148
- network setup page
 - printing 44
- Networking Guide
 - where to find 148
- noise emission levels 203
- non-volatile memory 135
 - erasing 135
- notices 202, 203, 204, 205, 206, 207, 208, 209

O

- options
 - 2,000-sheet high-capacity feeder,
 - installing 39
 - 550-sheet tray, installing 39
 - firmware card 28
 - firmware cards 21
 - flash memory card 28
 - Internal Solutions Port,
 - installing 29
 - list 21
 - memory card, installing 26
 - memory cards 21
 - network 21
 - order of installation 39
 - ports 21
 - printer hard disk, installing 33
 - printer hard disk, removing 37
- ordering
 - cleaning kit 142
 - fuser or transfer module 141
 - print cartridges 140
 - staple cartridges 141
 - waste toner bottle 141
- ordering a print cartridge 140

P

- paper
 - characteristics 68
 - letterhead 69
 - preprinted forms 69
 - recycled 70
 - selecting 69
 - storing 70
 - unacceptable 69
 - Universal Paper Size 94
 - Universal size setting 57
 - using recycled 52
- Paper changes needed 168
- paper feed troubleshooting
 - message remains after jam is
 - cleared 185
- paper jams
 - avoiding 151
- paper jams, clearing
 - 200 paper jam 153
 - 201 paper jam 153
 - 202–203 paper jams 154
 - 230 paper jam 155
 - 231–239 paper jams 156
 - 24x paper jam 156
 - 250 paper jam 157
 - 400–403 paper jams 158
 - 431–454 paper jams 159
 - 456–458 paper jams 159
 - 460–461 paper jams 158
- Paper Loading menu 92
- paper size
 - setting 57
- Paper Size/Type menu 85
- paper sizes
 - supported by printer 71
- Paper Texture menu 88
- paper type
 - setting 57
- paper types
 - duplex support 72
 - supported by printer 72
 - where to load 72
- Paper Weight menu 90
- Parallel [x] menu 104
- PCL Emul menu 129
- PDF menu 128
- port settings
 - configuring 50
- PostScript menu 129

- print cartridge
 - replacing 142
- print cartridges
 - ordering 140
- print driver
 - hardware options, adding 44
- print irregularities 189
- print job
 - canceling, from computer 81
- print quality
 - cleaning the printhead lenses 138
- print quality troubleshooting
 - black streaks on a page 193
 - blank pages 185
 - characters have jagged edges 186
 - clipped images 186
 - fine horizontal lines 187
 - gray background on prints 188
 - light colored line, white line, or incorrectly colored line appears on prints 189
 - poor transparency quality 196
 - print irregularities 189
 - print is too dark 190
 - print is too light 191
 - repeating print defects 192
 - shadow images appear on prints 187
 - skewed print 192
 - solid color or black pages appear on prints 193
 - streaked horizontal lines appear on prints 194
 - toner fog or background shading 194
 - toner rubs off 195
 - uneven print density 196
 - white streaks on a page 193
- print troubleshooting
 - error reading flash drive 178
 - held jobs do not print 179
 - incorrect characters print 180
 - incorrect margins 188
 - jammed pages are not reprinted 185
 - job prints from wrong tray 180
 - job prints on wrong paper 180
 - jobs do not print 178
 - Large jobs do not collate 180
 - multiple-language PDF files do not print 177
 - paper curl 189
 - paper frequently jams 184
 - print job takes longer than expected 179
 - tray linking does not work 180
 - unexpected page breaks 181
- printer 44
 - configured models 10
 - finishing features 40
 - minimum clearances 9
 - moving 9, 146, 147
 - selecting a location 9
 - shipping 147
- printer configurations 10
- printer control panel
 - adjusting brightness 54
 - factory defaults, restoring 149
 - understanding 11
- printer hard disk
 - encrypting 136
 - installing 33
 - removing 37
 - troubleshooting 183
 - wiping 136
- printer hard disk encryption 136
- printer hard disk memory
 - erasing 136
- printer information
 - where to find 8
- printer IP address
 - finding 17
- printer messages
 - 1565 Emulation error, load emulation option 177
 - 31.xx Missing or Defective [color] cartridge 170
 - 32.xx [color] cartridge part number unsupported by device 170
 - 34 Incorrect paper size, open [src] 170
 - 35 Insufficient memory to support Resource Save feature 170
 - 36 Printer service required 170
 - 37 Insufficient memory for Flash Memory Defragment operation 171
 - 37 Insufficient memory to collate job 171
 - 37 Insufficient memory, some Held Jobs were deleted 171
 - 37 Insufficient memory, some held jobs will not be restored 171
 - 38 Memory full 171
 - 39 Complex page, some data may not have printed 171
 - 40 [color] invalid refill, change cartridge 171
 - 51 Defective flash detected 172
 - 52 Not enough free space in flash memory for resources 172
 - 53 Unformatted flash detected 172
 - 54 Network [x] software error 172
 - 54 Serial option [x] error 172
 - 54 Standard network software error 172
 - 55 Unsupported option in slot [x] 173
 - 56 Parallel port [x] disabled 173
 - 56 Serial port [x] disabled 173
 - 56 Standard parallel port disabled 173
 - 56 Standard USB port disabled 173
 - 56 USB port [x] disabled 173
 - 57 Configuration change, some held jobs were not restored 174
 - 58 Input config error 174
 - 58 Too many bins attached 174
 - 58 Too many disks installed 174
 - 58 Too many flash options installed 174
 - 58 Too many trays attached 175
 - 59 Incompatible output bin [x] 175
 - 61 Remove defective disk 175
 - 62 Disk full 175
 - 80.xx Fuser life warning 175
 - 80.xx Fuser missing 176
 - 80.xx Fuser near life warning 175
 - 80.xx Replace fuser 176
 - 82.xx Replace waste toner bottle 176
 - 82.xx Waste toner bottle missing 176
 - 82.xx Waste toner bottle nearly full 176
 - 83.xx Replace transfer module 176
 - 83.xx Transfer module life warning 176
 - 83.xx Transfer module missing 176

- 88.xx [Color] cartridge critically low 177
 - 88.xx [color] cartridge low 177
 - 88.xx [color] cartridge nearly low 176
 - Adjusting color 162
 - an error has occurred with the USB drive 162
 - Change [paper source] to [custom string] 163
 - Change [paper source] to [custom string] load [orientation] 163
 - Change [paper source] to [custom type name] 162
 - Change [paper source] to [custom type name] load [orientation] 162
 - Change [paper source] to [paper size] [paper type] 163
 - Change [paper source] to [paper size] [paper type] load [orientation] 163
 - Close [tray] door 164
 - Close finisher side door 164
 - Close finisher top cover 164
 - Close front door 164
 - Close left side door 163
 - Close paper transport cover 163
 - Disk corrupted 164
 - Disk near full. Securely clearing disk space. 164
 - Disk problem 164
 - Empty the hole punch box 164
 - Insert hole punch box 165
 - Insert staple cartridge 165
 - Insert Tray [x] 165
 - Install bin [x] 165
 - Install envelope feeder 165
 - Install Tray [x] 166
 - Load [src] with [custom string] 166
 - Load [src] with [custom type name] 166
 - Load [src] with [size] 166
 - Load [src] with [type] [size] 167
 - Load Manual Feeder with [custom string] 167
 - Load Manual Feeder with [custom type name] 167
 - Load Manual Feeder with [paper type] [paper size] 167
 - Load staples 167
 - Paper changes needed 168
 - Reattach bin [x] 168
 - Reattach bin [x] – [y] 168
 - Remove packaging material, [area name] 169
 - Remove paper from [linked set bin name] 169
 - Remove paper from all bins 169
 - Remove paper from bin [x] 169
 - Remove paper from standard output bin 169
 - Restore held jobs? 169
 - Slide finisher to the left 169
 - Some held jobs were not restored 169
 - Supply needed to complete job 169
 - Unsupported disk 169
 - Unsupported USB device, please remove 165
 - printer options troubleshooting
 - 2,000-sheet drawer problems 182
 - cannot detect flash memory card 183
 - cannot detect printer hard disk 183
 - internal print server 184
 - Internal Solutions Port 183
 - memory card 184
 - option not working 181
 - paper tray problems 182
 - USB/parallel interface card 184
 - printhead lenses
 - cleaning 138
 - printing
 - black-and-white 74
 - canceling, from the printer control panel 81
 - directory list 80
 - font sample list 80
 - from a mobile device 76
 - from flash drive 75
 - from Macintosh 74
 - from Windows 74
 - menu settings page 43
 - network setup page 44
 - on letterhead 76
 - printing a directory list 80
 - printing a document 74
 - printing a font sample list 80
 - printing a menu settings page 43
 - printing a network setup page 44
 - printing confidential and other held jobs
 - from a Macintosh computer 79
 - from Windows 79
 - printing from a flash drive 75
 - printing from a mobile device 76
 - printing in black and white 74
 - printing on letterhead 76
 - publications
 - where to find 8
- ## Q
- Quality menu 125
 - Quiet Mode 54
 - print quality troubleshooting 187
- ## R
- Reattach bin [x] 168
 - Reattach bin [x] – [y] 168
 - reattaching the system board cover 22
 - recycled paper
 - using 52, 70
 - recycling
 - Lexmark packaging 55
 - Lexmark products 55
 - toner cartridges 55
 - reducing noise 54
 - Remote Operator Panel 19
 - Remove packaging material, [area name] 169
 - Remove paper from [linked set bin name] 169
 - Remove paper from all bins 169
 - Remove paper from bin [x] 169
 - Remove paper from standard output bin 169
 - removing printer hard disk 37
 - repeat print jobs 79
 - printing from a Macintosh computer 79
 - printing from Windows 79
 - repeating print defects 192
 - replacing a print cartridge 142
 - replacing the waste toner bottle 145
 - reports
 - viewing 149
 - Reports menu 96

- reserve print jobs 79
 - printing from a Macintosh computer 79
 - printing from Windows 79
- Restore held jobs? 169
- restoring factory default settings 149
- S**
- safety information 6, 7
- Security Audit Log menu 112
- security lock 22
- security settings
 - erasing 135
- selecting a location for the printer 9
- Serial [x] menu 106
- serial printing
 - setting up 51
- Set Date and Time menu 112
- setting
 - TCP/IP address 99
 - setting the paper size 57
 - setting the paper type 57
 - setting the Universal paper size 57
 - setting up e-mail alerts using the Embedded Web Server 149
 - setting up serial printing 51
- Setup menu 121
- shadow images appear on prints 187
- shipping the printer 147
- showing icons on the home screen 18
- Showroom 19
- Sleep Mode
 - adjusting 54
- Slide finisher to the left 169
- SMTP Setup menu 108
- solid color or black pages appear on prints 193
- Some held jobs were not restored 169
- Standard Network menu 97
- standard tray
 - loading 57
- Standard USB menu 102
- staple cartridges
 - ordering 141
- staple jam, clearing
 - 455 staple jam 159
- statement of volatility 135
- status of supplies
 - checking 140
- storing
 - paper 70
 - supplies 139
- storing print jobs 79
- streaked horizontal lines appear on prints 194
- streaks appear on a page 193
- Substitute Size menu 88
- supplies
 - checking status 140
 - checking, from printer control panel 140
 - checking, using the Embedded Web Server 140
 - conserving 52
 - storing 139
 - using recycled paper 52
- Supplies menu 83
- supplies, ordering
 - cleaning kit 142
 - fuser or transfer module 141
 - print cartridges 140
 - staple cartridges 141
 - waste toner bottle 141
- Supply needed to complete job 169
- supported flash drives 76
- supported paper sizes 71
- supported paper types and weights 72
- system board
 - accessing 22
- system board cover
 - attaching 22
 - reattaching 22
- T**
- TCP/IP menu 99
- tips
 - card stock 78
 - labels, paper 78
 - on using envelopes 77
 - on using letterhead 76
 - on using transparencies 77
- tips on using envelopes 77
- tips on using letterhead 76
- toner cartridges
 - recycling 55
- toner darkness
 - adjusting 74
- toner rubs off 195
- touch screen
 - buttons, using 14
- transparencies
 - loading 77
 - loading in multipurpose feeder 63
 - tips on using 77
 - using 77
- trays
 - linking 65, 66
 - unlinking 65, 66
- troubleshooting
 - an application error has occurred 181
 - cannot open Embedded Web Server 199
 - checking an unresponsive printer 162
 - contacting customer support 199
 - FAQ about color printing 196
 - troubleshooting, display
 - display is blank 178
 - display shows only diamonds 178
 - troubleshooting, paper feed
 - message remains after jam is cleared 185
 - troubleshooting, print
 - error reading flash drive 178
 - held jobs do not print 179
 - incorrect characters print 180
 - incorrect margins 188
 - jammed pages are not reprinted 185
 - job prints from wrong tray 180
 - job prints on wrong paper 180
 - jobs do not print 178
 - Large jobs do not collate 180
 - multiple-language PDF files do not print 177
 - paper curl 189
 - paper frequently jams 184
 - print job takes longer than expected 179
 - tray linking does not work 180
 - unexpected page breaks 181
 - troubleshooting, print quality
 - black streaks on a page 193
 - blank pages 185
 - characters have jagged edges 186
 - clipped images 186
 - fine horizontal lines 187
 - gray background on prints 188

- light colored line, white line, or incorrectly colored line appears on prints 189
- poor transparency quality 196
- print irregularities 189
- print is too dark 190
- print is too light 191
- repeating print defects 192
- shadow images appear on prints 187
- skewed print 192
- solid color or black pages appear on prints 193
- streaked horizontal lines appear on prints 194
- toner fog or background shading 194
- toner rubs off 195
- uneven print density 196
- white streaks on a page 193
- troubleshooting, printer options
 - 2,000-sheet drawer problems 182
 - cannot detect flash memory card 183
 - cannot detect printer hard disk 183
 - internal print server 184
 - Internal Solutions Port 183
 - memory card 184
 - option not working 181
 - paper tray problems 182
 - USB/parallel interface card 184

U

- understanding the home screen 13
- understanding the printer control panel 11
- uneven print density 196
- unexpected page breaks 181
- Universal Paper Size 94
 - setting 57
- Universal Setup menu 94
- unlinking trays 65, 66
- Unsupported USB device, please remove 165
- USB port 42
- USB/parallel interface card
 - troubleshooting 184
- using Hibernate mode 53
- using recycled paper 52
- using the Embedded Web Server 148

- using the touch-screen buttons 14
- Utilities menu 128

V

- verify print jobs 79
 - printing from a Macintosh computer 79
 - printing from Windows 79
- viewing
 - reports 149
- virtual display
 - checking, using Embedded Web Server 148
- volatile memory 135
 - erasing 135
- volatility
 - statement of 135

W

- waste toner bottle
 - ordering 141
 - replacing 145
- wiping printer hard disk 136
- Wireless menu 101
- wireless network
 - configuration information 45
 - installation, using Macintosh 47
 - installation, using Windows 46
- wireless network setup
 - in Windows 46
- wireless printer setup
 - in Macintosh 47

X

- XPS menu 128