

Menu map

Menus list

Supplies

Cyan Cartridge
Magenta Cartridge
Yellow Cartridge
Black Cartridge
Waste Toner Bottle
Fuser
Transfer Module
Staples
Hole Punch Box

Paper Menu

Default Source
Paper Size/Type
Configure MP
Substitute Size
Paper Texture
Paper Weight
Paper Loading
Custom Types
Custom Names
Custom Bin Names
Universal Setup
Bin Setup

Reports

Menu Settings Page
Device Statistics
Network Setup Page
Network [x] Setup Page
Profiles List
Print Fonts
Print Directory
Asset Report

Settings

General Settings
Flash Drive Menu
Print Settings
Setup Menu
Finishing Menu
Quality Menu
Job Accounting Menu
Utilities Menu
XPS Menu
PDF Menu
PostScript Menu
PCL Emul Menu
HTML Menu
Image Menu

Security

Miscellaneous Security Settings
Confidential Print
Disk Wiping
Security Audit Log
Set Date and Time

Network/Ports

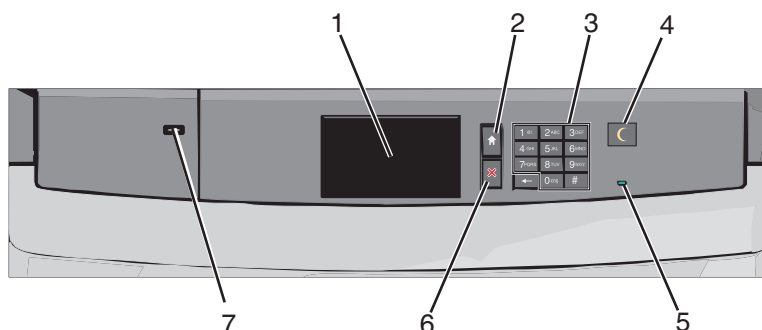
Active NIC
Standard Network or Network [x]*
Standard USB
Parallel [x]
Serial [x]
SMTP Setup

Help

Print All Guides
Color Quality
Print Quality
Printing Guide
Media Guide
Print Defects Guide
Menu Map
Information Guide
Connection Guide
Moving Guide
Supplies Guide

* Depending on the printer setup, this menu appears as Standard Network, Network [x], or Wireless Network.

Understanding the printer control panel



Item		Description
1	Display	Shows the status of the printer
2	Home	Lets you navigate back to the home screen
3	Keypad	Allows you to enter numbers, letters, or symbols on the printer
4	Sleep	<p>Enables Sleep Mode or Hibernate Mode</p> <p>The following are the statuses of the indicator light and the Sleep button:</p> <ul style="list-style-type: none"> • Entering or waking from Sleep Mode—The indicator light is illuminated solid green, Sleep button is unilluminated. • Operating in Sleep Mode—The indicator light is illuminated solid green, Sleep button is illuminated solid amber. • Entering or waking from Hibernate Mode—The indicator light is illuminated solid green, Sleep button is illuminated blinking amber. • Operating in Hibernate Mode—The indicator light is unilluminated, Sleep button is blinking amber for 1/10 of a second, then go completely unilluminated for 1.9 seconds in pulsing pattern. <p>The following actions wake the printer from Sleep Mode:</p> <ul style="list-style-type: none"> • Touching the screen or any hard button presses. • Opening an input tray, cover, or door. • Sending a print job from the computer. • Performing a Power On Reset (POR) with the main power switch.
5	Indicator light	<p>Off—The printer is off.</p> <p>Blinking green—The printer is warming up, processing data, or printing.</p> <p>Solid green—The printer is on, but idle.</p> <p>Solid red—Operator intervention is needed.</p>
6	Stop/Cancel	<p>Stops all printer activity</p> <p>Note: A list of options is displayed once Stopped appears on the display.</p>
7	USB port	<p>Allows you to connect a USB Bluetooth adapter, or a flash drive to the printer</p> <p>Note: Only the front USB port supports flash drives.</p>