

Moving the printer

Before moving the printer

CAUTION: The printer weighs 201 lb (91.2 kg); therefore, it requires at least four people or a properly rated mechanical handling system to lift it safely. Use the handholds on the sides of the printer to lift it, and make sure your fingers are not under the printer when you set it down. Disconnect all cords and cables from the printer before moving it.



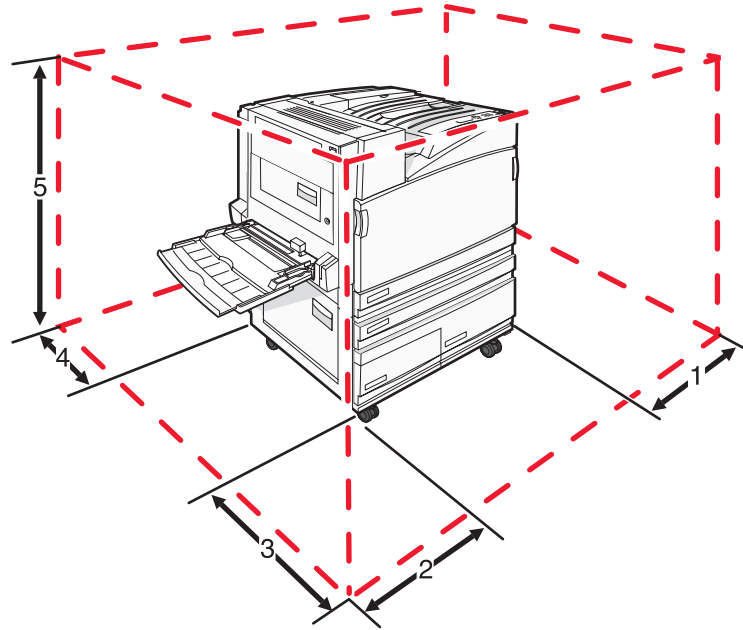
Follow these guidelines to avoid personal injury or printer damage:

- Use at least four people or a properly rated mechanical handling system to lift the printer.
- Turn the printer off using the power switch, and then unplug the power cord from the wall outlet.
- Disconnect all cords and cables from the printer before moving it.
- Remove all printer options before moving the printer.

Warning: Damage to the printer caused by improper moving is not covered by the printer warranty.

Setting the printer up in a new location

For a basic printer, or a printer with an optional finisher installed, allow the following *recommended* amount of space around the printer:



1	2 in. (50 mm)
2	2.7 ft (825 mm)
3	1.4 ft (418 mm)
4	4 in. (100 mm)
5	2.3 ft (693 mm)

Moving the printer to another location

The printer and options can be safely moved to another location by following these precautions:

- Any cart used to move the printer must have a surface able to support the full footprint of the printer. Any cart used to move the options must have a surface able to support the dimensions of the options.
- Keep the printer in an upright position.
- Avoid severe jarring movements.

Shipping the printer

When shipping the printer, use the original packaging or call the place of purchase for a relocation kit.