

Menu map

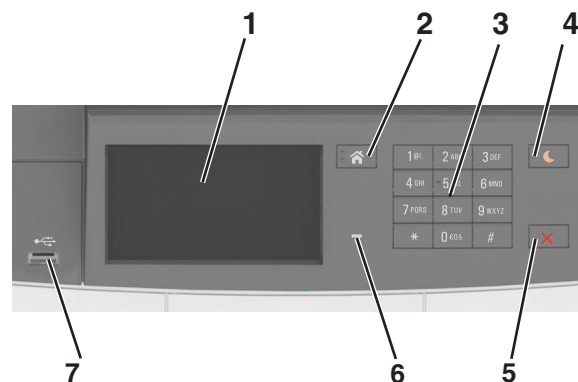
Menus list

Note: Some menus are available only in select printer models.

Supplies	Paper Menu	Reports	Network/Ports
Cyan Cartridge	Default Source	Menu Settings Page	Active NIC
Magenta Cartridge	Paper Size/Type	Device Statistics	Standard Network or Network [x]
Yellow Cartridge	Configure MP ¹	Network Setup Page	Standard USB
Black Cartridge	Substitute Size	Network [x] Setup Page	SMTP Setup
Waste Toner Bottle	Paper Texture	Profiles List	
Black or Color Imaging Kit	Paper Weight	Print Fonts	
Maintenance Kit	Paper Loading	Print Directory	
	Custom Types	Print Demo	
	Custom Names	Asset Report	
	Universal Setup		
Security	Settings	Help	Option Card Menu
Miscellaneous Security Settings	General Settings	Print All Guides	Note: A list of installed DLEs (Download Emulators) appears.
Confidential Print	Flash Drive Menu	Color Quality	
Erase Temporary Data Files	Print Settings	Print Quality	
Security Audit Log		Printing Guide	
Set Date and Time		Print Defects Guide	
		Information Guide	
		Supplies Guide	

¹ This menu item appears only when a 650-sheet duo tray is attached.

Using the printer control panel



	Use the	To
1	Display	<ul style="list-style-type: none"> Show the status of the printer. Set up and operate the printer.
2	Home button	Go to the home screen.

	Use the	To
3	Keypad	Enter numbers, letters, or symbols on the printer.
4	Sleep button	Enable Sleep mode or Hibernate mode. Notes: <ul style="list-style-type: none"> Pressing any hard button, touching the printer control panel, attaching a device to a USB port, sending a print job, or performing a power-on reset with the main power switch wakes the printer from Sleep mode. Pressing the Sleep button or the power switch causes the printer to wake from Hibernate Mode.
5	Stop or Cancel button	Stop all printer activity.
6	Indicator light	Check the status of the printer.
7	USB port	Connect a USB a flash drive to the printer. Note: Only the front USB port supports flash drives.

Understanding the home screen

When the printer is turned on, the display shows a basic screen, referred to as the home screen. Use the home screen buttons and icons to initiate an action.

Note: Your home screen may vary depending on your home screen customization settings, administrative setup, and active embedded solutions.





Touch		To
1	Change Language	Change the primary language of the printer.
2	Bookmarks	Create, organize, and save a set of bookmarks (URLs) into a tree view of folders and file links. Note: The tree view does not include bookmarks created within Forms and Favorites, and the ones in the tree are not usable in Forms and Favorites.
3	Held Jobs	Display all current held jobs.
4	USB	View, select, or print photos and documents from a flash drive. Note: This icon appears only when you return to the home screen while a memory card or flash drive is connected to the printer.

Touch		To
5	Menus	Access printer menus. Note: These menus are available only when the printer is in Ready state.
6	Status message bar	<ul style="list-style-type: none"> • Show the current printer status such as Ready or Busy. • Show the status of printer supplies. • Show intervention messages and the instructions on how to clear them.
7	Status/Supplies	<ul style="list-style-type: none"> • Show a printer warning or error message whenever the printer requires intervention to continue processing. • View more information on the printer warning or message, and on how to clear it.
8	Tips	View a context-sensitive help information.

These may also appear on the home screen:

Touch	To
Search Held Jobs	Search current held jobs.
Jobs by user	Access print jobs saved by user.
Profiles and Apps	Access profiles and applications.

Features

Feature	Description
Attendance message alert 	If an attendance message affects a function, then this icon appears and the red indicator light blinks.
Warning 	If an error condition occurs, then this icon appears.
Printer IP address Example: 123 . 123 . 123 . 123	The IP address of your printer is located at the top left corner of the home screen. You can use the IP address when accessing the Embedded Web Server to view and remotely configure printer settings.