

Lexmark E120

Setup
Installation
Instalación

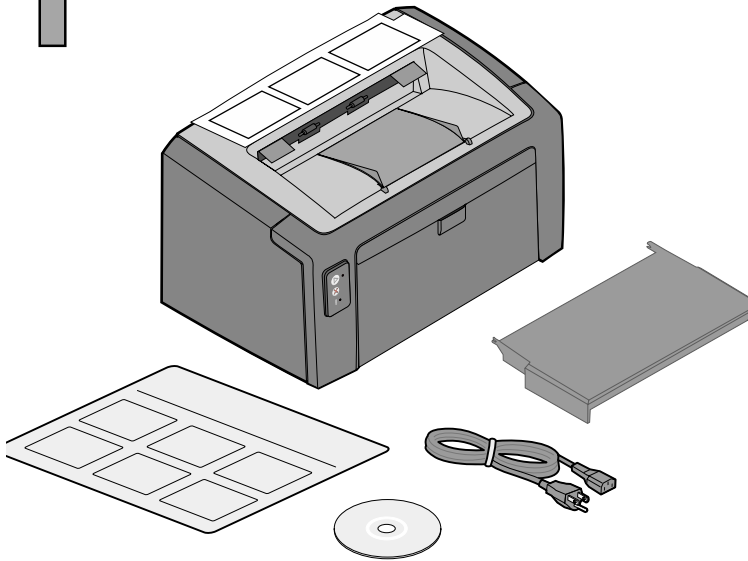
Installazione
Instalação
Installatie

Asennus
Installasjon
Instalacja

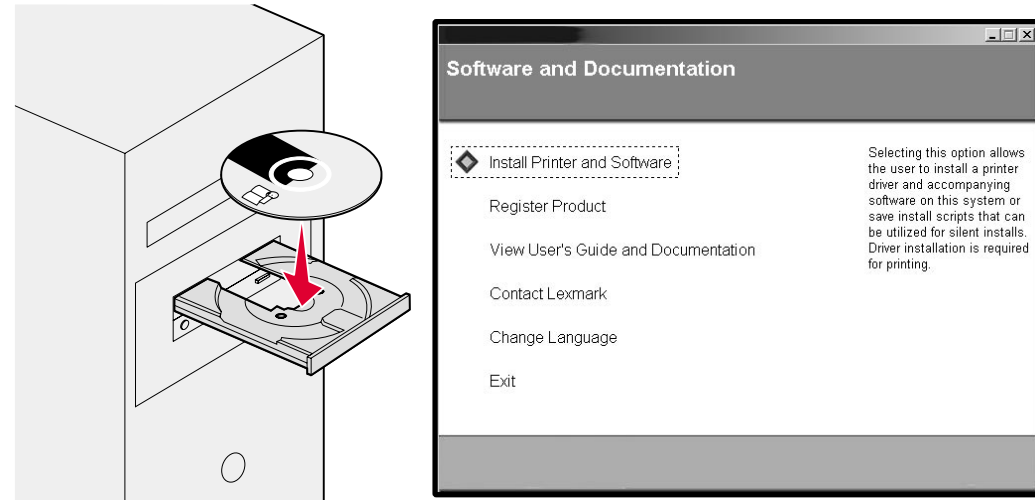
Руководство по
установке
설치

設置
安裝

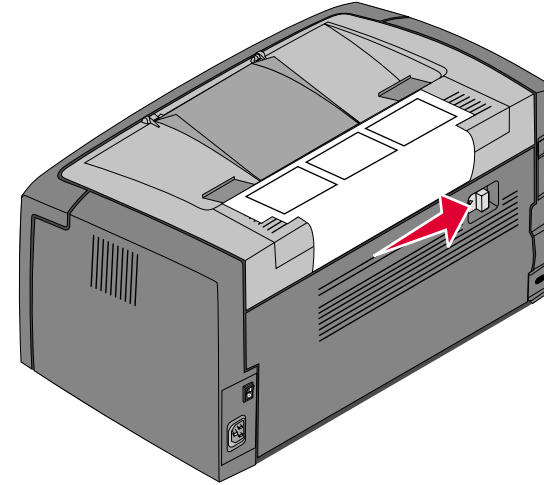
1



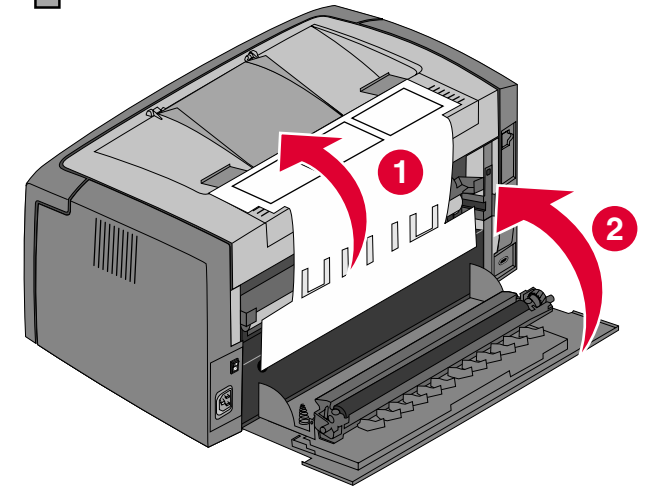
2



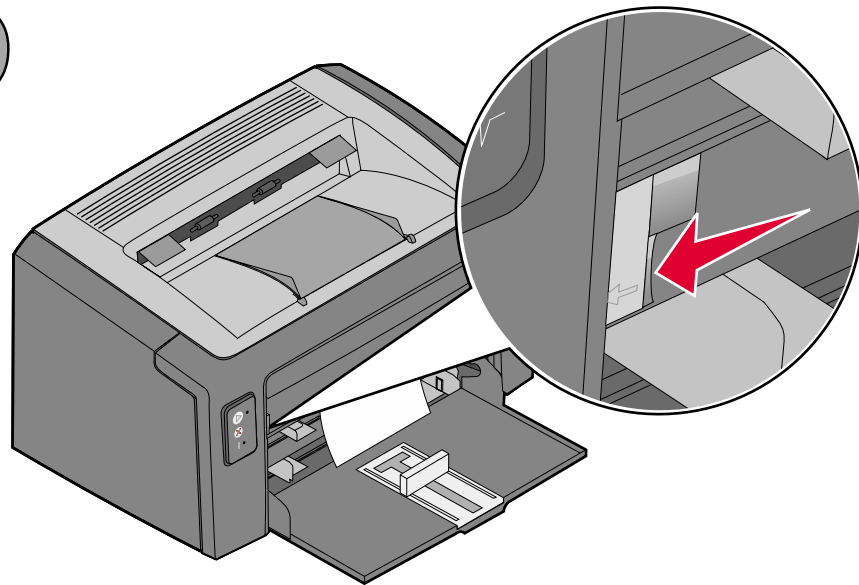
3



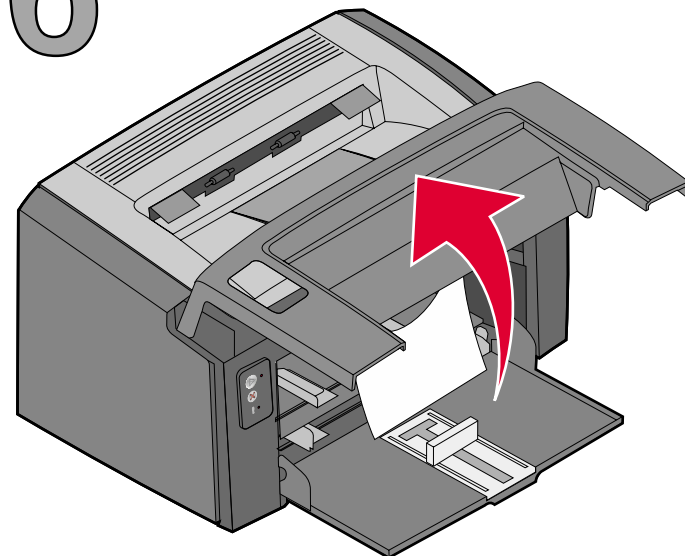
4



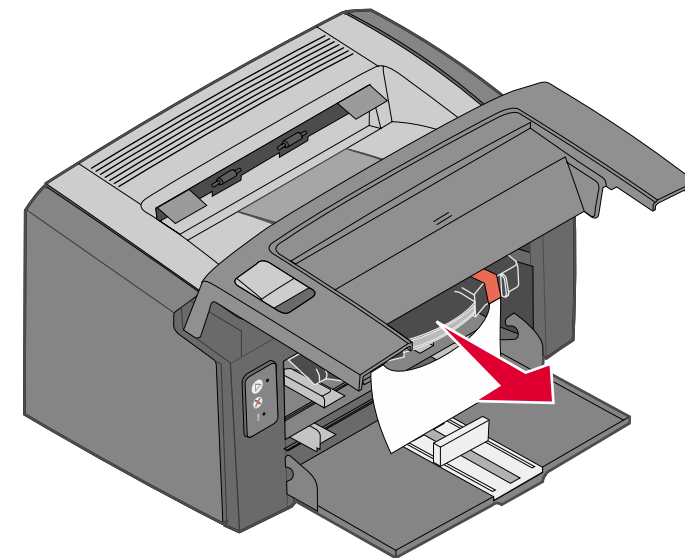
5



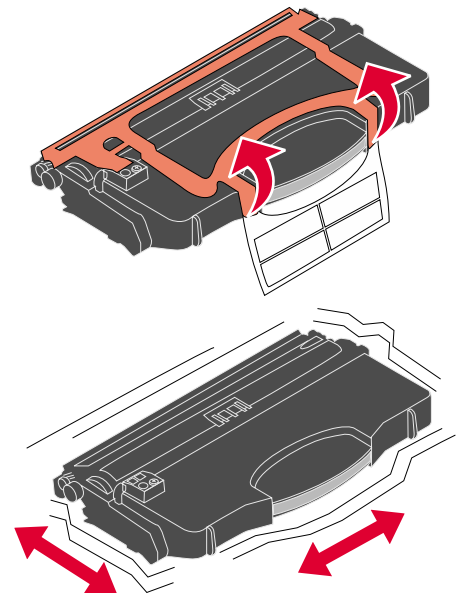
6

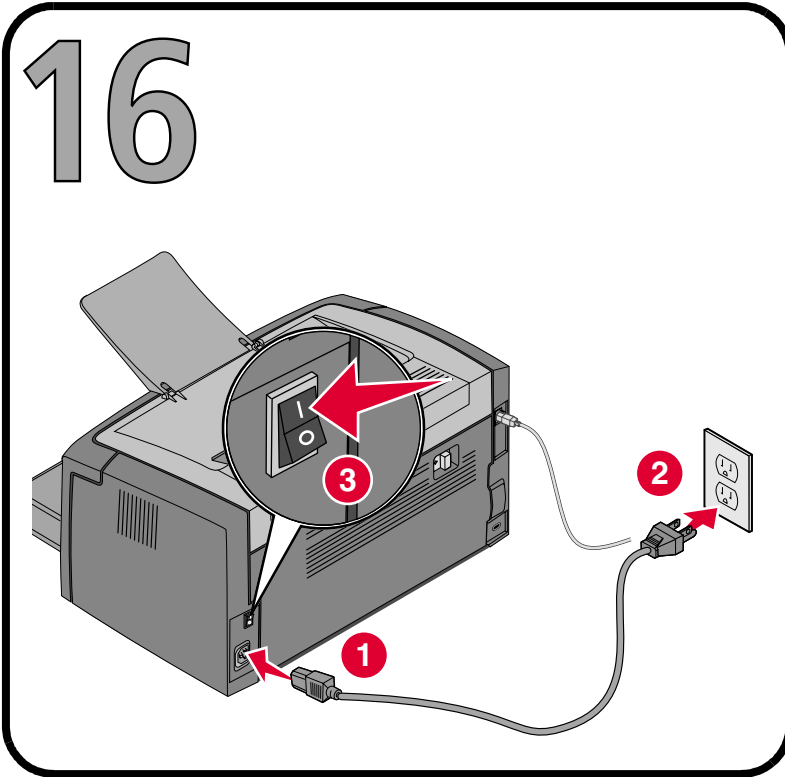
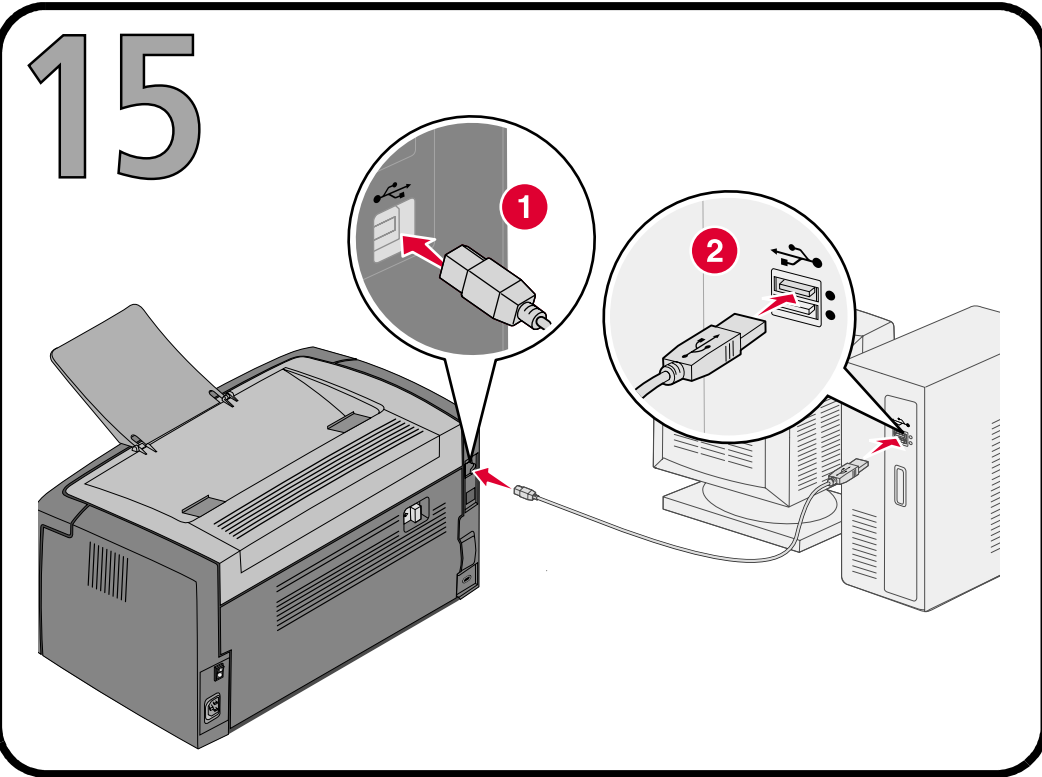
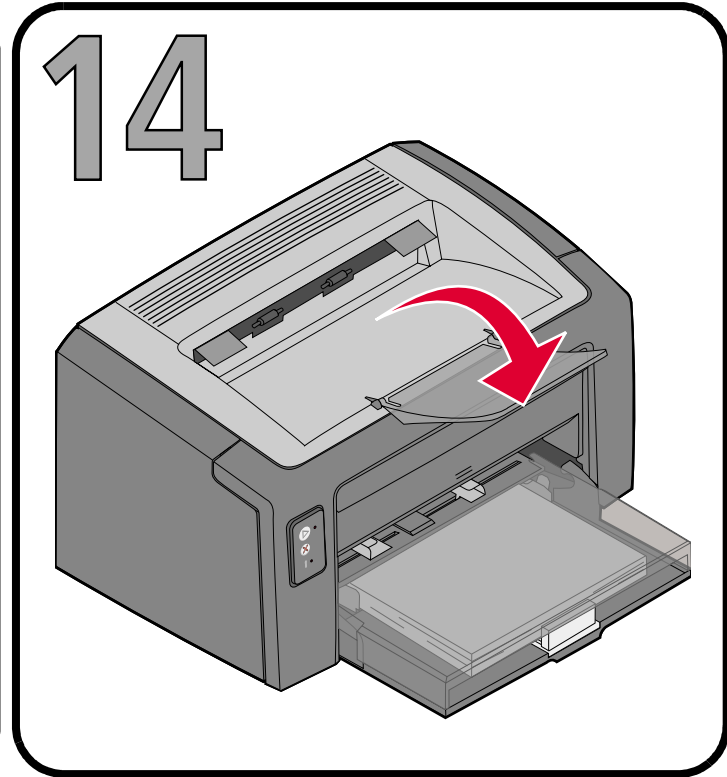
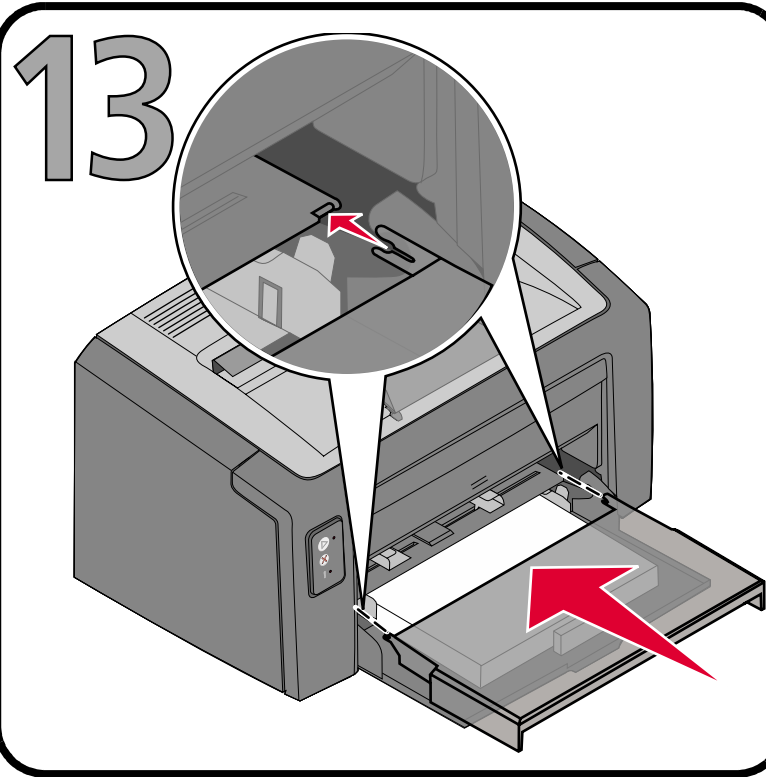
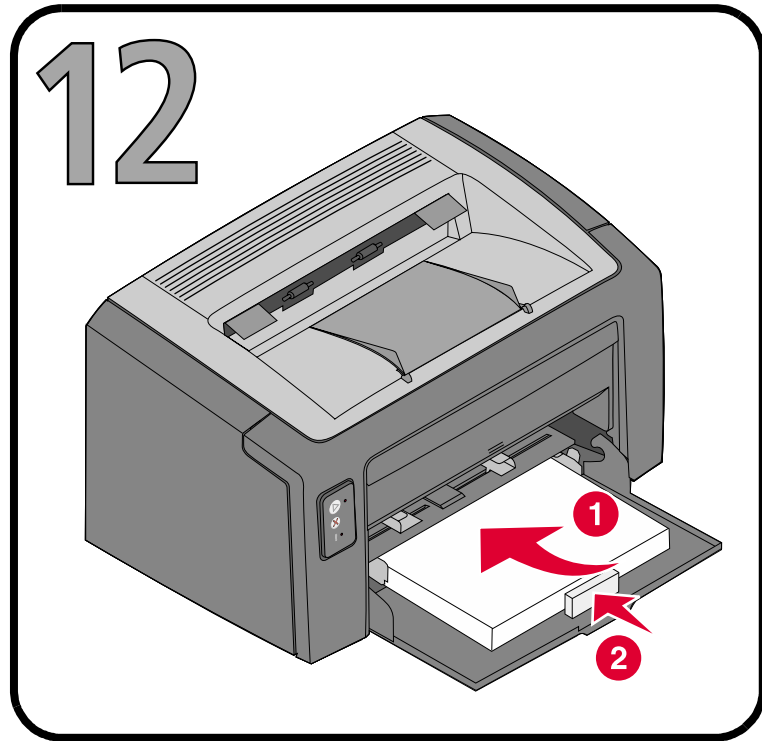
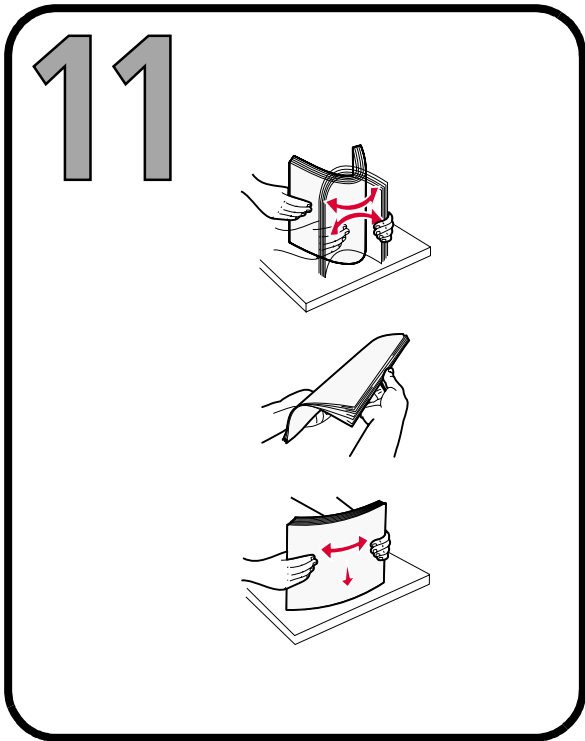
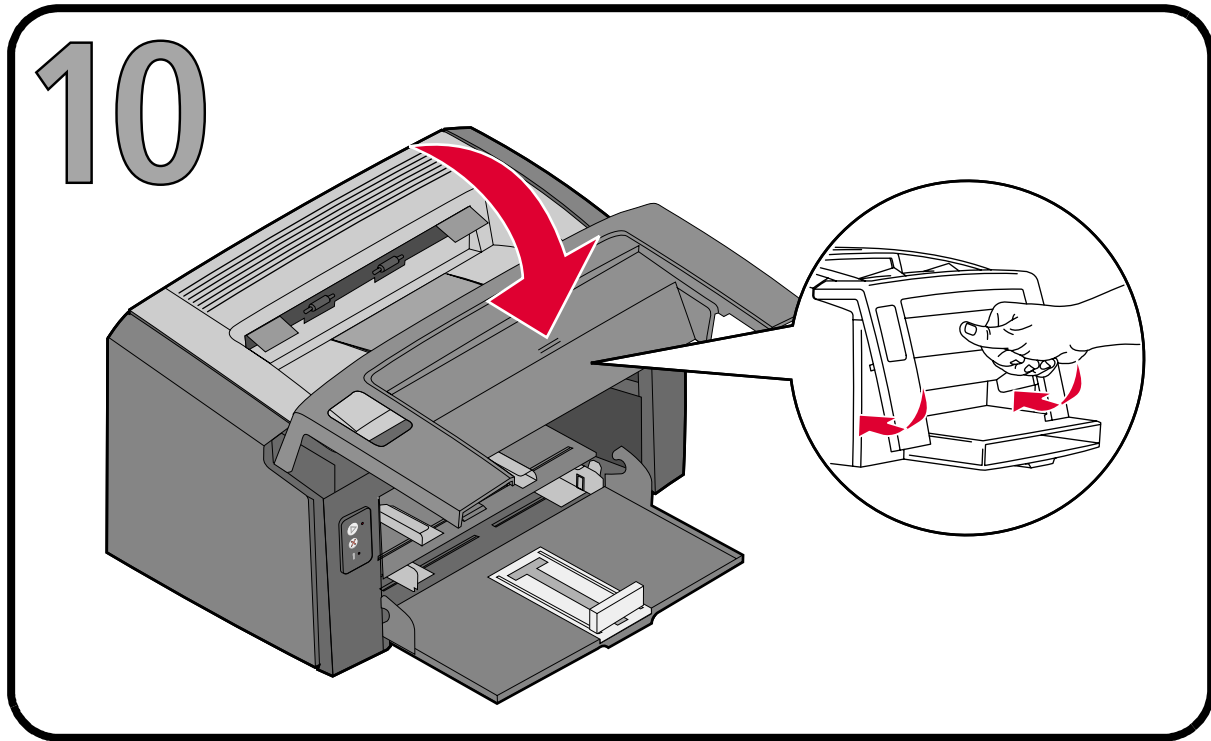
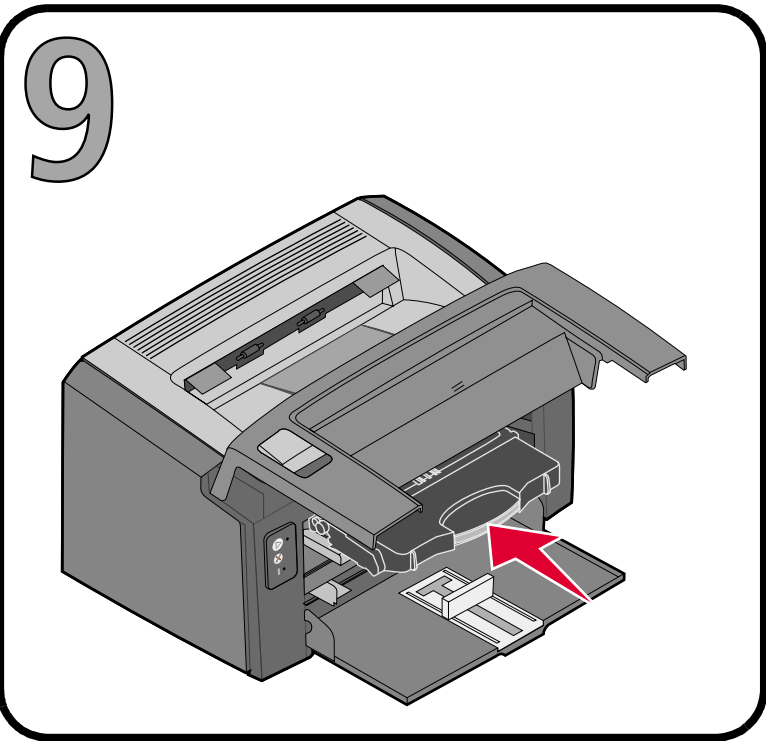


7

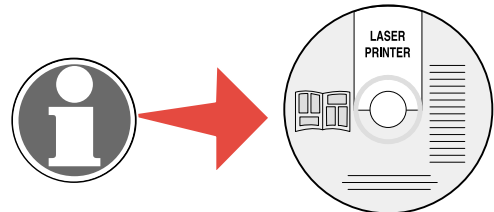


8






* 2 3 S 0 8 4 5 *
P/N 23S0845 E.C. 23S011
© 2005 Lexmark International, Inc. All rights reserved.
Printed in China



Federal Communications Commission (FCC) compliance information statement
This device complies with Part 15 of the FCC rules. Refer to the *Software and Documentation CD* for more compliance information.