



Lexmark E360d and E360dn Series

Maintenance Guide

Contents

Maintaining the printer.....	3
Cleaning the exterior of the printer.....	3
Storing supplies.....	3
Checking the status of supplies from a network computer.....	3
Ordering supplies.....	4
Ordering toner cartridges	4
Ordering a photoconductor kit	5
Replacing supplies.....	5
Replacing the toner cartridge	5
Replacing the photoconductor kit	6
Moving the printer.....	9
Before moving the printer	9
Moving the printer to another location.....	9
Shipping the printer	9

Maintaining the printer

Periodically, certain tasks are required to maintain optimum print quality.

Cleaning the exterior of the printer

- 1 Make sure that the printer is turned off and unplugged from the wall outlet.



CAUTION—SHOCK HAZARD: To avoid the risk of electric shock when cleaning the exterior of the printer, unplug the power cord from the wall outlet and disconnect all cables to the printer before proceeding.

- 2 Remove all paper from the printer.
- 3 Dampen a clean, lint-free cloth with water.

Warning—Potential Damage: Do not use household cleaners or detergents, as they may damage the finish of the printer.

- 4 Wipe only the outside of the printer.

Warning—Potential Damage: Using a damp cloth to clean the interior may cause damage to your printer.

- 5 Make sure all areas of the printer are dry before beginning a new print job.

Storing supplies

Choose a cool, clean storage area for the printer supplies. Store supplies right side up in their original packing until you are ready to use them.

Do not expose supplies to:

- Direct sunlight
- Temperatures above 35°C (95°F)
- High humidity above 80%
- Salty air
- Corrosive gases
- Heavy dust

Checking the status of supplies from a network computer

Note: The computer must be connected to the same network as the printer.

- 1 Type the printer IP address into the address field of your Web browser.

Note: If you do not know the IP address of the printer, print a network setup page and locate the IP address in the TCP/IP section.

- 2 Click **Device Status**. The Device Status page appears, displaying a summary of supply levels.

Ordering supplies

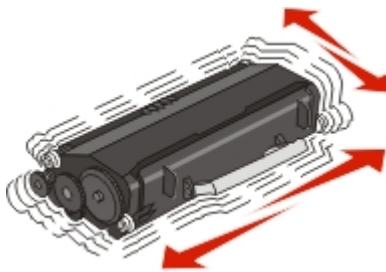
To order supplies in the U.S., contact Lexmark at 1-800-539-6275 for information about Lexmark authorized supplies dealers in your area. In other countries or regions, visit the Lexmark Web Site at www.lexmark.com or contact the place where you purchased the printer.

Note: All life estimates for printer supplies assume printing on letter- or A4-size plain paper.

Ordering toner cartridges

When **88 Cartridge is Low** appears or when the print becomes faded, you may be able to extend the life of the toner cartridge:

- 1 Remove the toner cartridge.
- 2 Firmly shake the cartridge side-to-side and front-to-back several times to redistribute toner.



- 3 Reinsert the cartridge and continue printing.

Note: Repeat this procedure multiple times until the print remains faded, and then replace the cartridge.

Recommended toner cartridges and part numbers

Part name	Lexmark Return Program Cartridge	Regular cartridge
For the US and Canada		
Toner cartridge	E260A11A	E260A21A
High Yield Toner cartridge	E360H11A	E360H21A
For Europe, the Middle East, and Africa		
Toner cartridge	E260A11E	E260A21E
High Yield Toner cartridge	E360H11E	E360H21E
For the Asia Pacific Region, including Australia and New Zealand		
Toner cartridge	E260A11P	E260A21P
High Yield Toner cartridge	E360H11P	E360H21P
For Latin America		
Toner cartridge	E260A11L	E260A21L
High Yield Toner cartridge	E360H11L	E360H21L

Ordering a photoconductor kit

Depending on your printer model, the printer issues a message or a light sequence to let you know the photoconductor kit is near its end of life. At this time, order a photoconductor kit. You can also see the status of the photoconductor kit by printing a network setup page.

Part name	Part number
Photoconductor kit	E260X22G

Replacing supplies

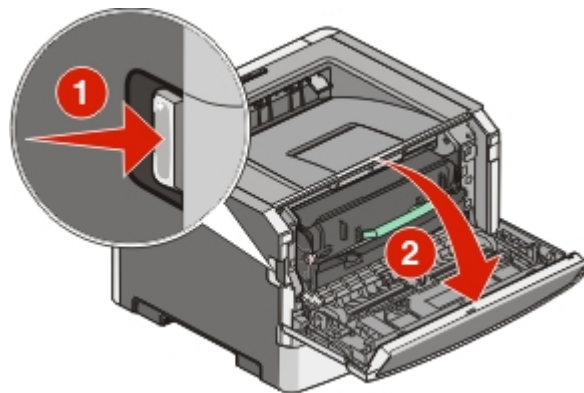
Replacing the toner cartridge

When **88 Cartridge is low** appears, or when you experience faded print, remove the toner cartridge. Firmly shake it side-to-side and front-to-back several times to redistribute the toner, and then reinsert it and continue printing. When shaking the cartridge no longer improves the print quality, replace the toner cartridge.

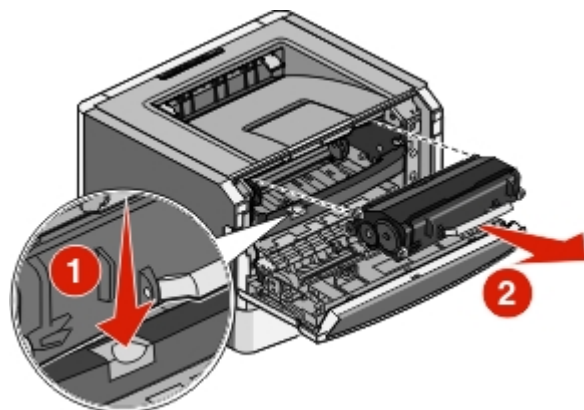
Note: You can check to see approximately how much toner is left in your cartridge by printing a menu settings page.

To replace the toner cartridge:

- 1 Open the front door by pressing the button on the left side of the printer and lowering the door.



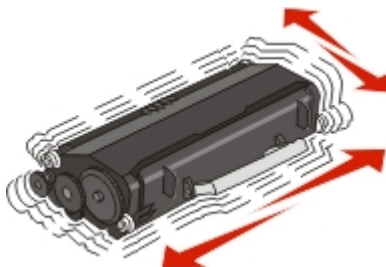
- 2 Press the button on the base of the photoconductor kit, and then pull the toner cartridge out using the handle.



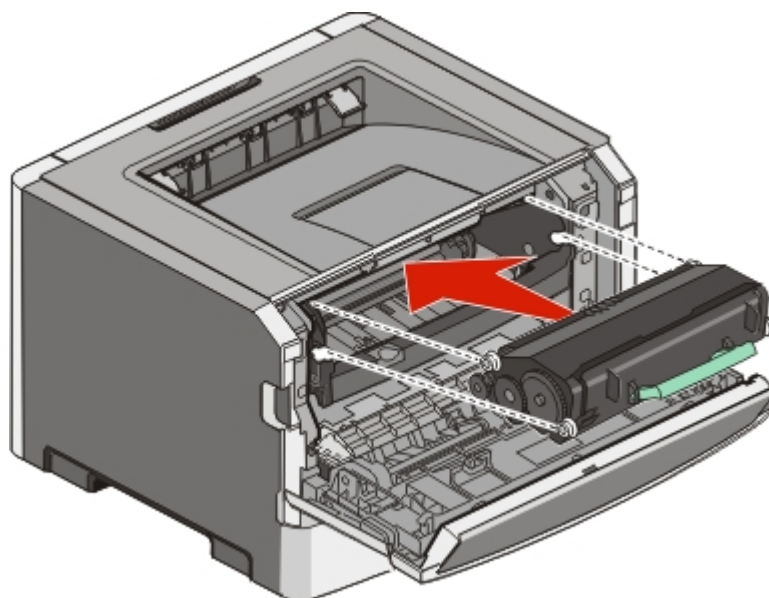
3 Unpack the new toner cartridge.

Warning—Potential Damage: When replacing a toner cartridge, do not leave the new cartridge exposed to direct light for an extended period of time. Extended light exposure can cause print quality problems.

4 Rotate the cartridge in all directions to distribute the toner.



5 Install the new toner cartridge by aligning the rollers on the toner cartridge with the arrows on the tracks of the photoconductor kit. Push the toner cartridge in as far as it will go. The cartridge *clicks* into place when correctly installed.



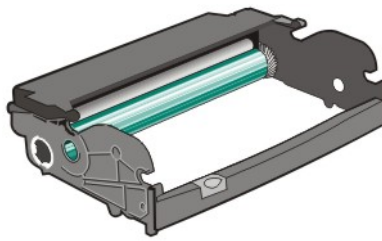
6 Close the front door.

Replacing the photoconductor kit

The printer automatically notifies you before the photoconductor kit reaches a page maximum by showing **84 PC Kit life warning** or **84 Replace PC Kit** on the display. You can also see the status of the photoconductor kit by printing a menu settings page.

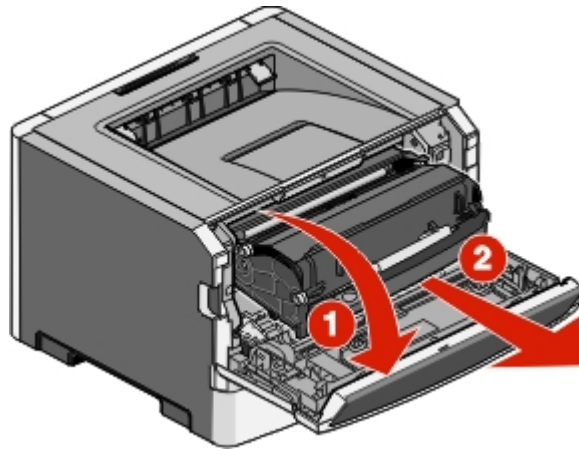
When **84 PC Kit life warning** or **84 Replace PC Kit** first appears, you should immediately order a new photoconductor kit. While the printer may continue to function properly after the photoconductor kit has reached its official end-of-life, print quality significantly decreases.

Note: The photoconductor kit is one item only.

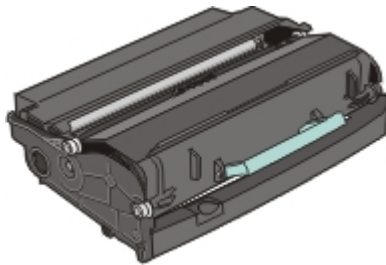


- 1 Turn the printer off.
- 2 Open the front door by pressing the button on the left side of the printer and lowering the front door.
- 3 Pull the photoconductor kit and toner cartridge out of the printer as a unit by pulling on the toner cartridge handle.

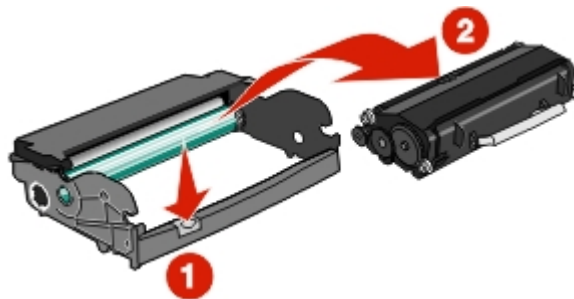
Note: The photoconductor kit and toner cartridge form a unit.



Place the unit on a flat, clean surface.

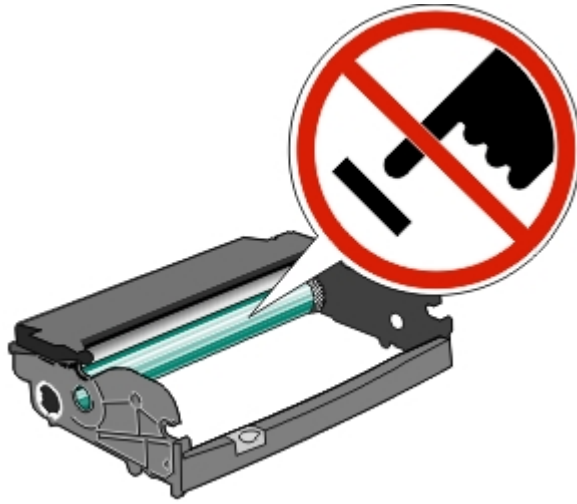


- 4 Press the button on the base of the photoconductor kit. Pull the toner cartridge up and out using the handle.

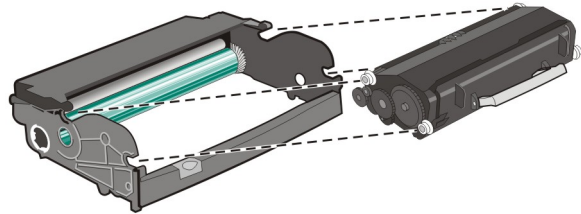


5 Unpack the new photoconductor kit.

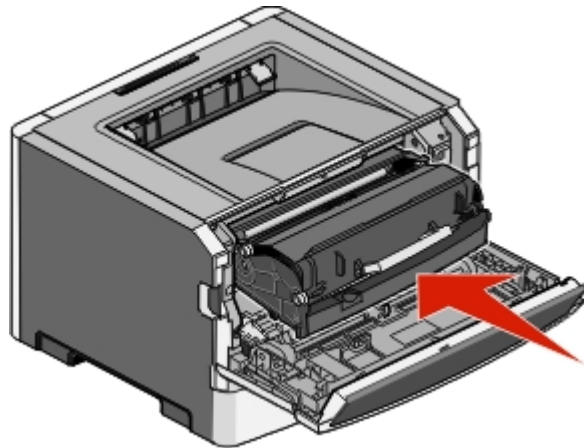
Warning—Potential Damage: Be careful not to touch the photoconductor drum. Doing so may affect the print quality of future print jobs.



6 Insert the toner cartridge into the photoconductor kit by aligning the rollers on the toner cartridge with the tracks. Push the toner cartridge until it *clicks* into place.



7 Install the unit into the printer by aligning the arrows on the guides of the unit with the arrows in the printer. Push the unit as far as it will go.



8 After you replace the photoconductor kit, reset the photoconductor counter.

To reset the photoconductor counter, open the front door, press and hold **X** until **Resetting PC Counter** appears. The power light blinks, and the printer beeps.

Warning—Potential Damage: Resetting the photoconductor counter without replacing the photoconductor may damage your printer and void your warranty.

9 Close the front door.

Moving the printer

Before moving the printer



CAUTION—POTENTIAL INJURY: Before moving the printer, follow these guidelines to avoid personal injury or printer damage:

- Turn the printer off using the power switch, and then unplug the power cord from the wall outlet.
- Disconnect all cords and cables from the printer before moving it.
- Lift the printer off the optional drawer, and set it aside instead of trying to lift the drawer and printer at the same time.

Note: Use the handholds located on both sides of the printer to lift it off the optional drawer.

Use only the power cord provided with this product or the manufacturer's authorized replacement.

Warning—Potential Damage: Damage to the printer caused by improper moving is not covered by the printer warranty.

Moving the printer to another location

The printer and options can be safely moved to another location by following these precautions:

- Any cart used to move the printer must have a surface able to support the full footprint of the printer. Any cart used to move the options must have a surface able to support the dimensions of the options.
- Keep the printer in an upright position.
- Avoid severe jarring movements.

Shipping the printer

When shipping the printer, use the original packaging or call the place of purchase for a relocation kit.