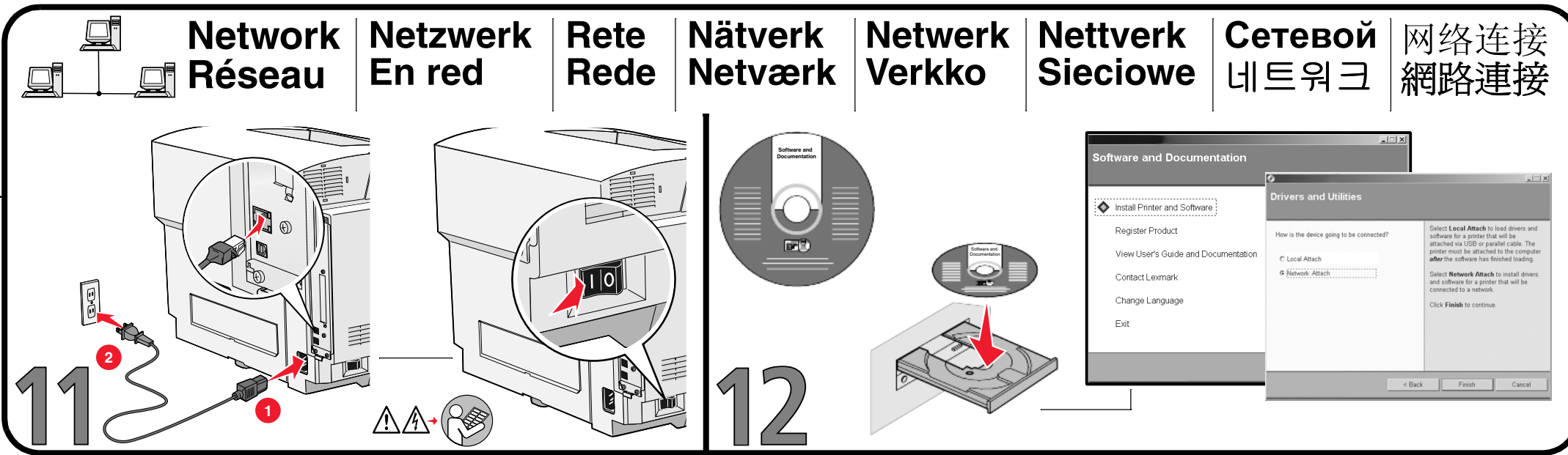
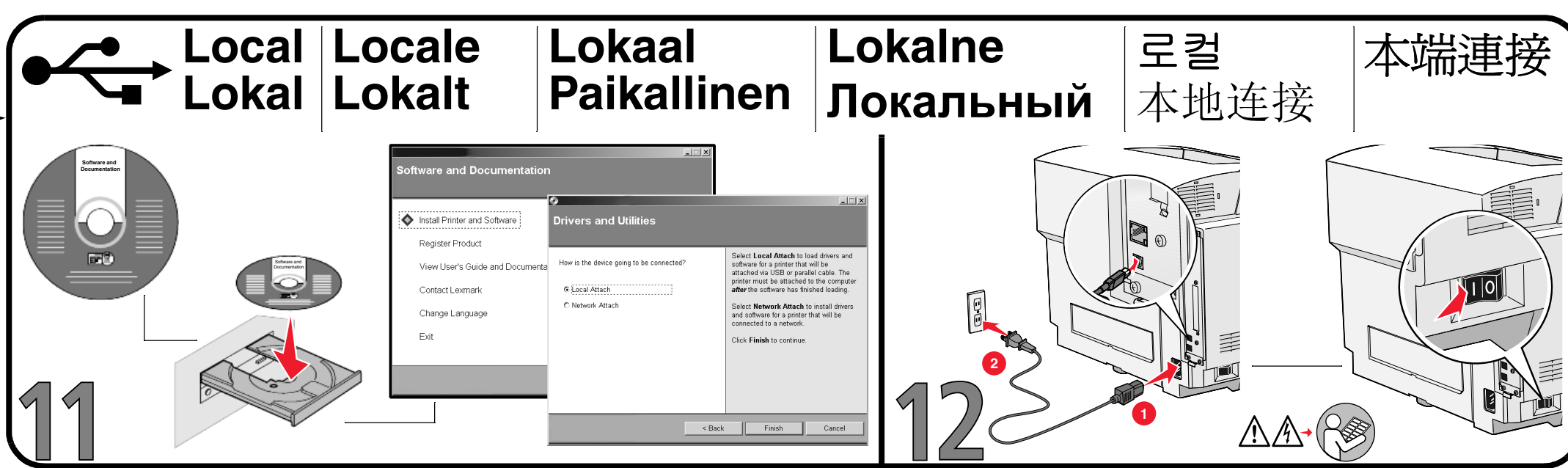
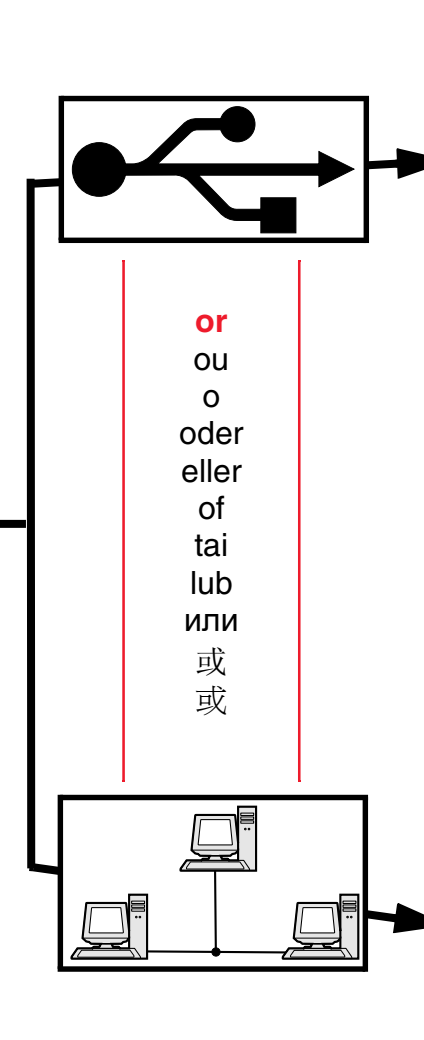
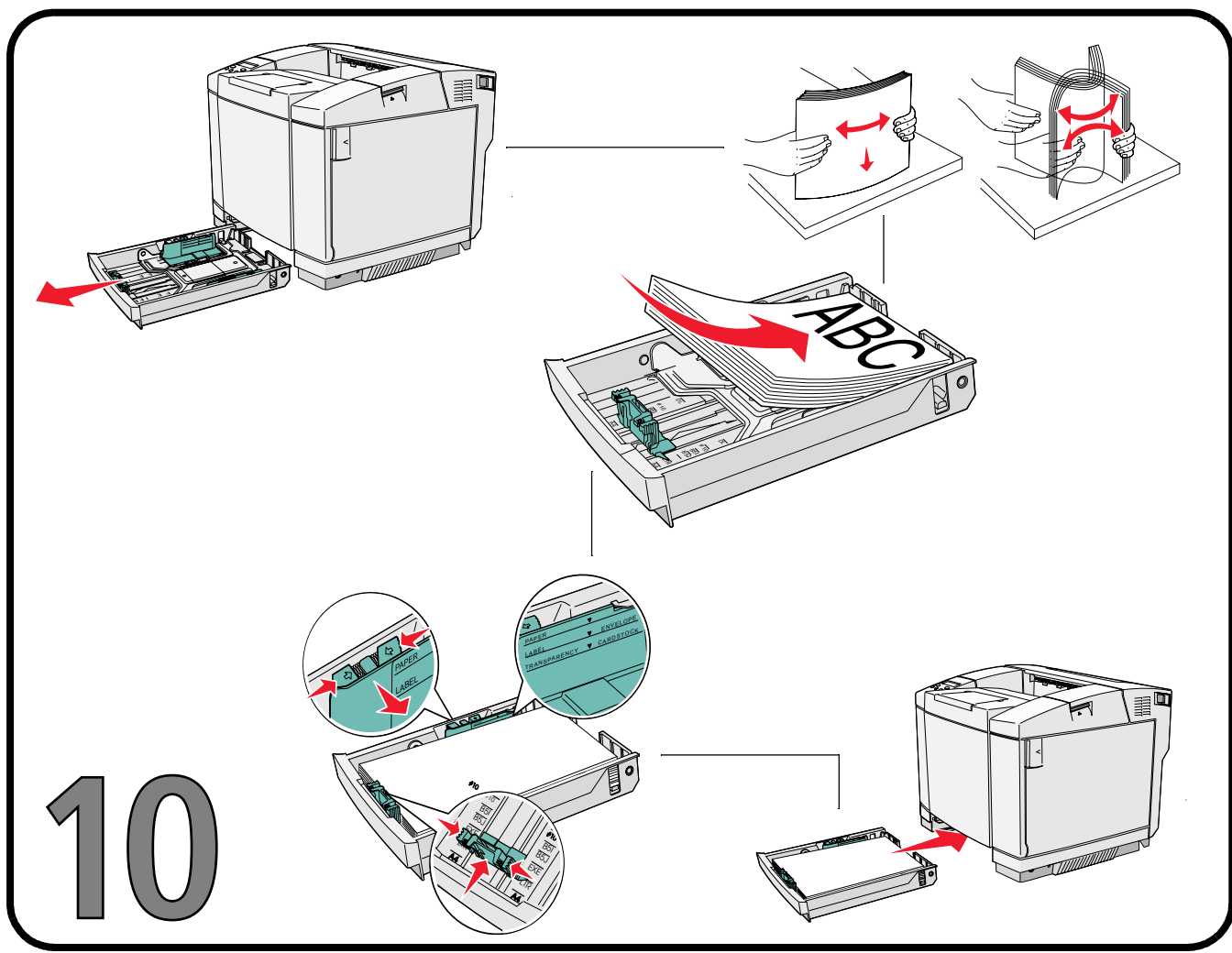
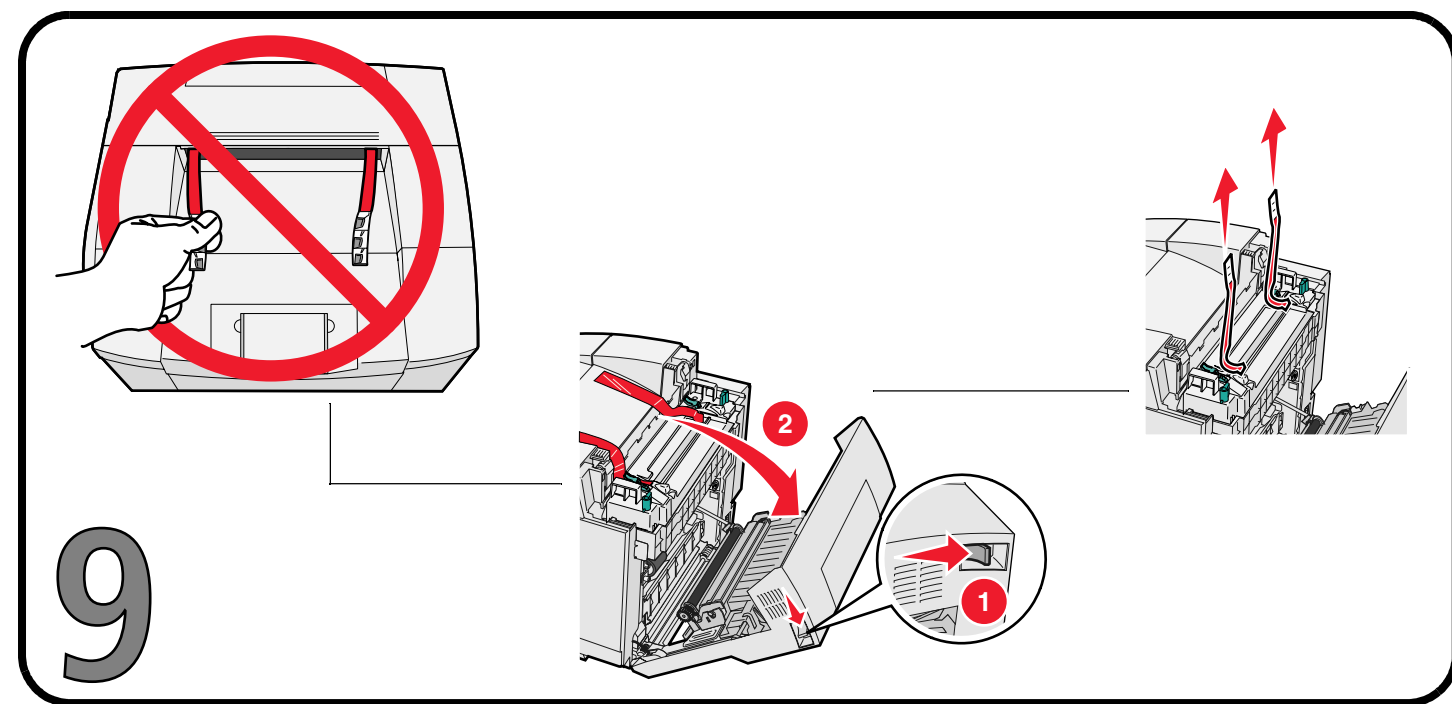
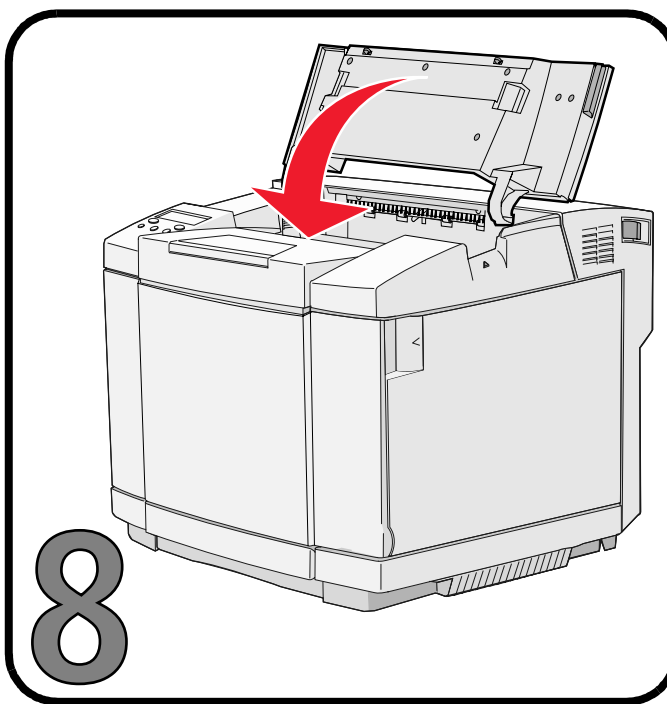
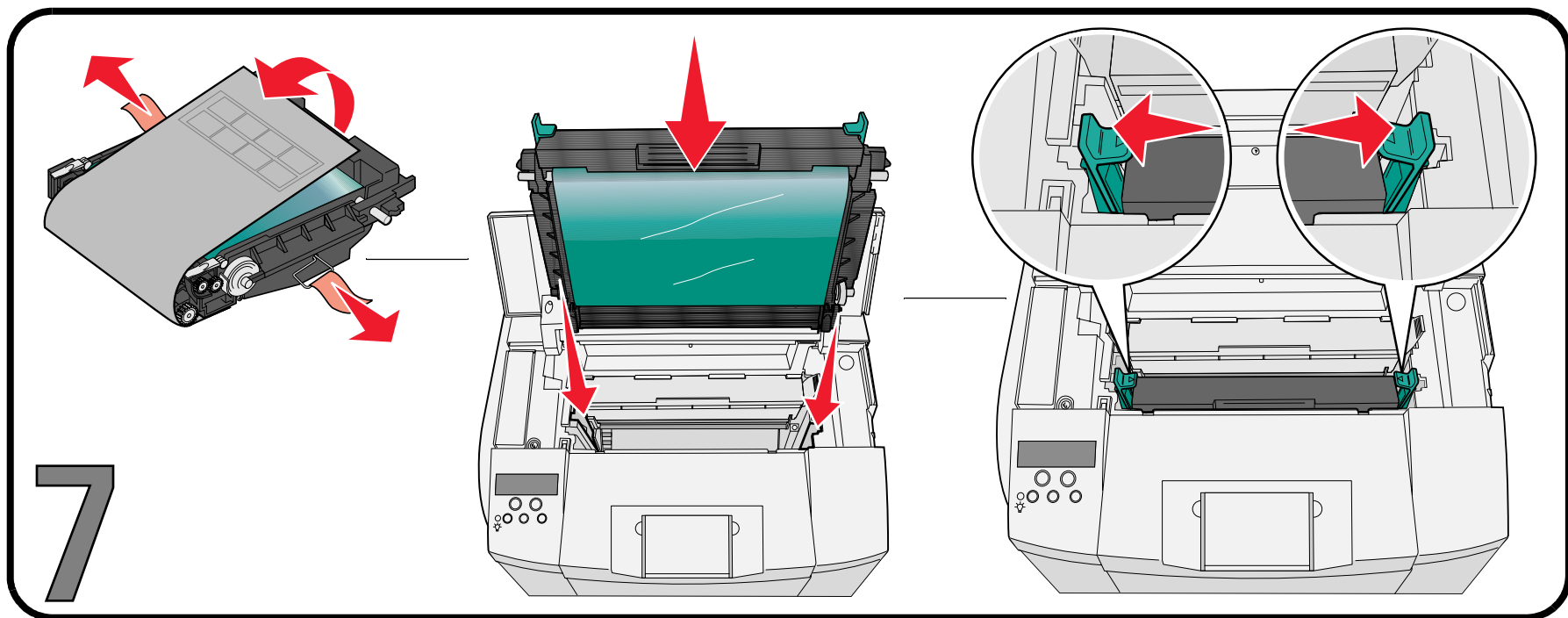
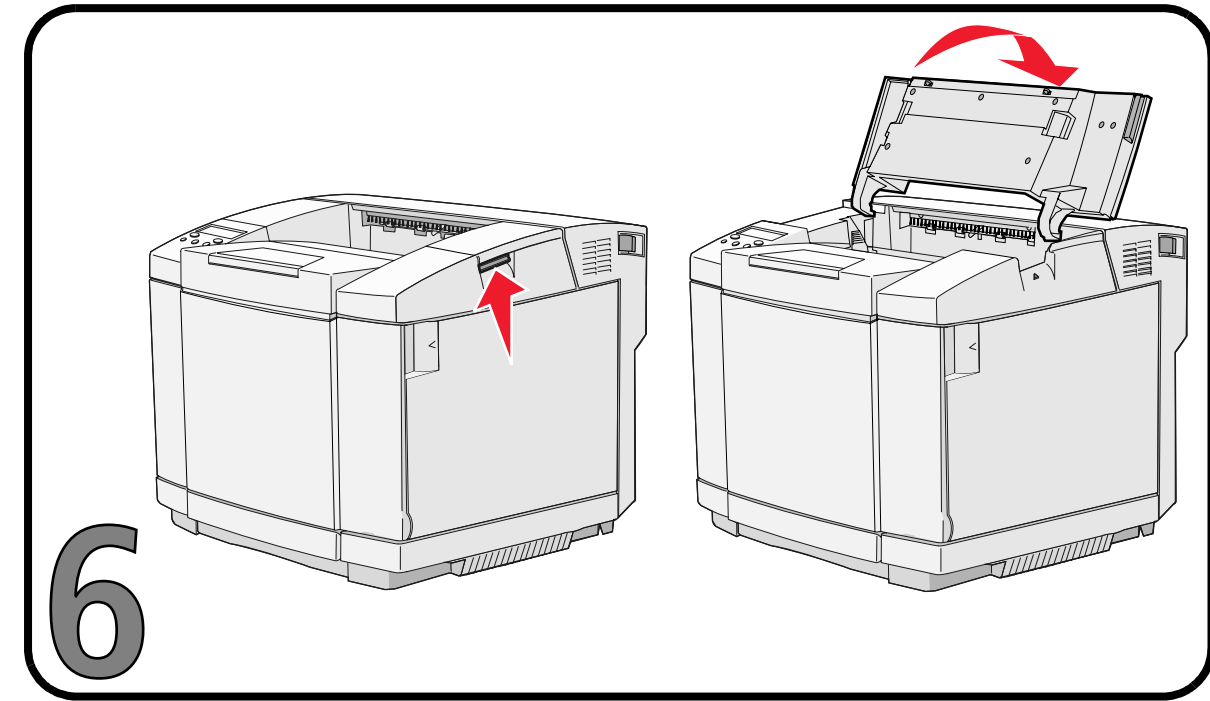
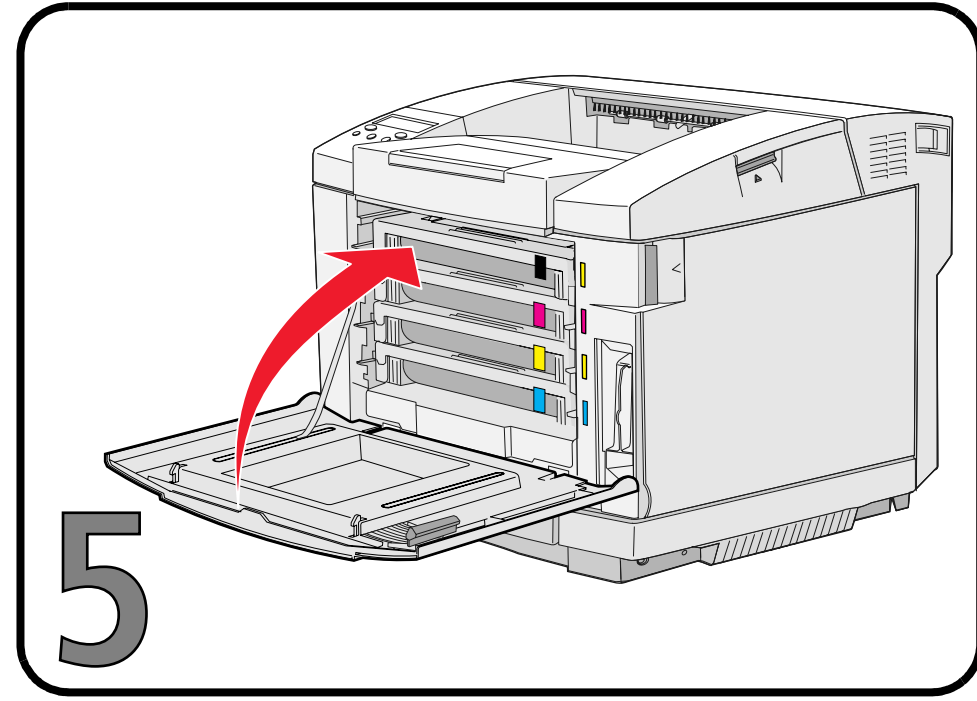
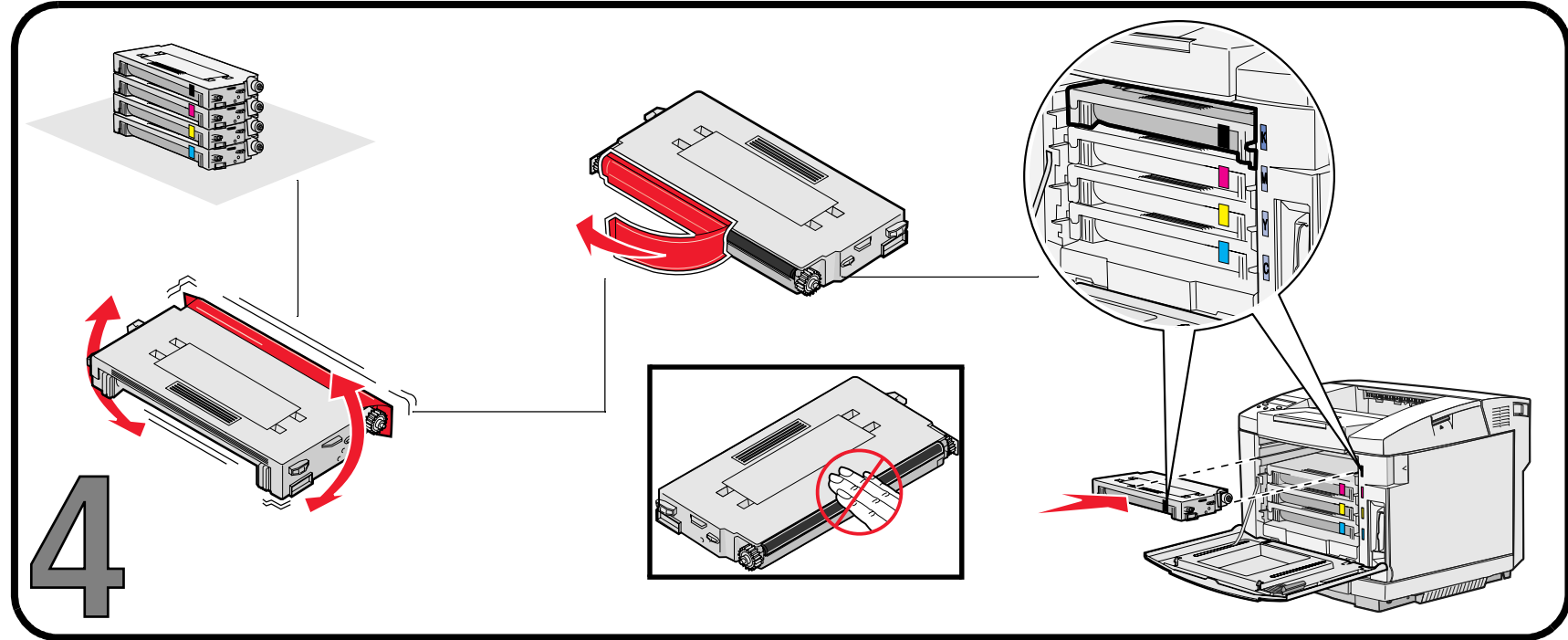
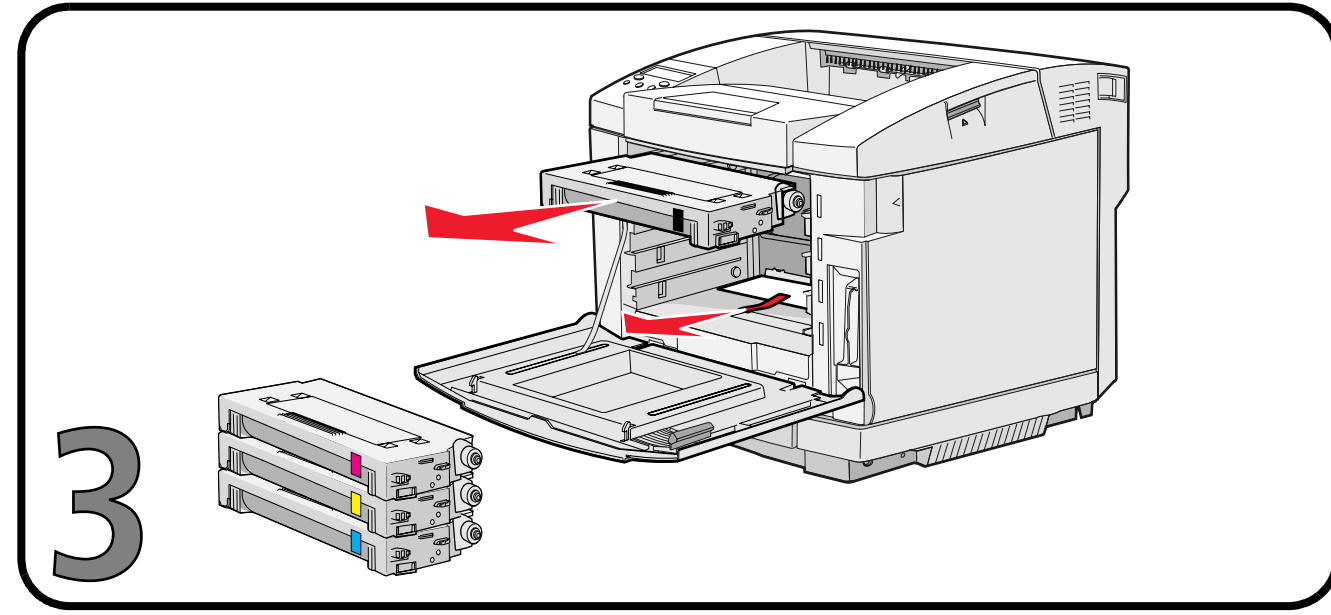
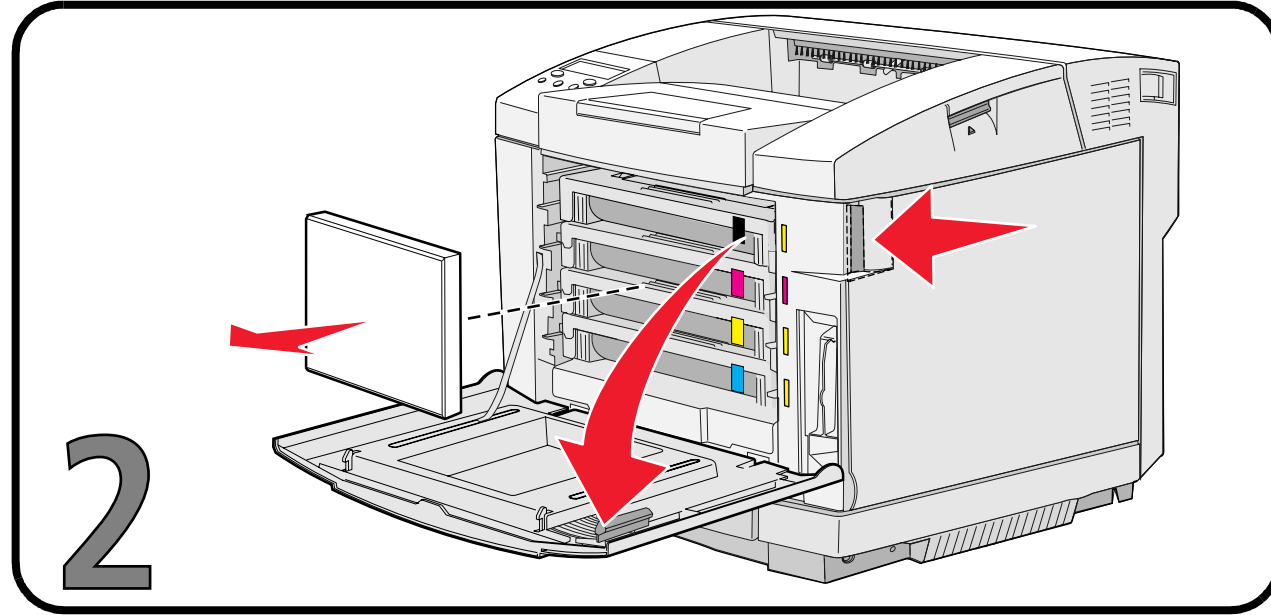
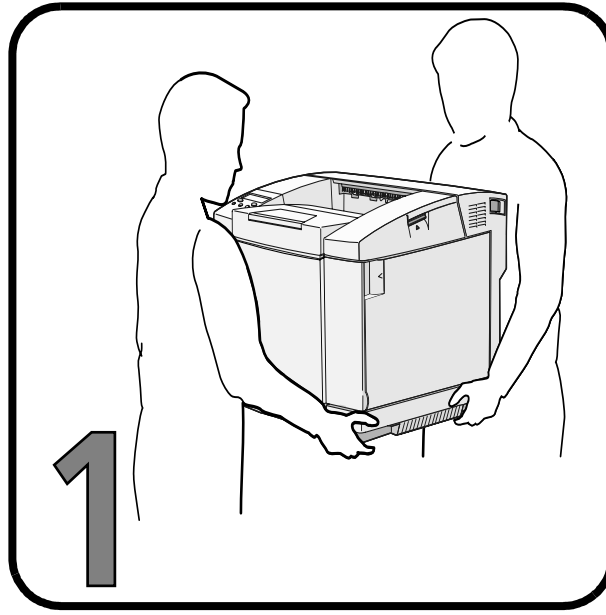
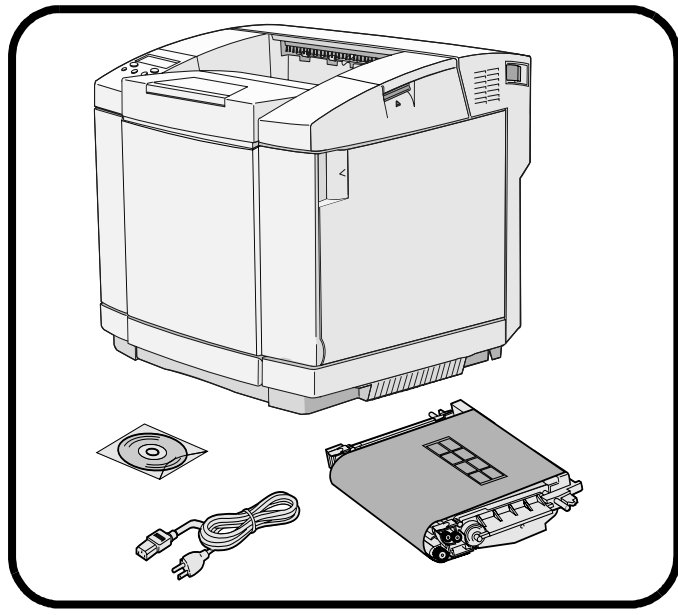


Setup | **Instalación** | **Instalação** | **Asennus** | **Instalacja** | **по установке** | **设置**
Installation | **Installazione** | **Installatie** | **Installasjon** | **Руководство** | **설치** | **假規**



P/N 22R0106 E.C. 22A017
 © 2006 Lexmark International, Inc. All rights reserved.
 Printed in Thailand

