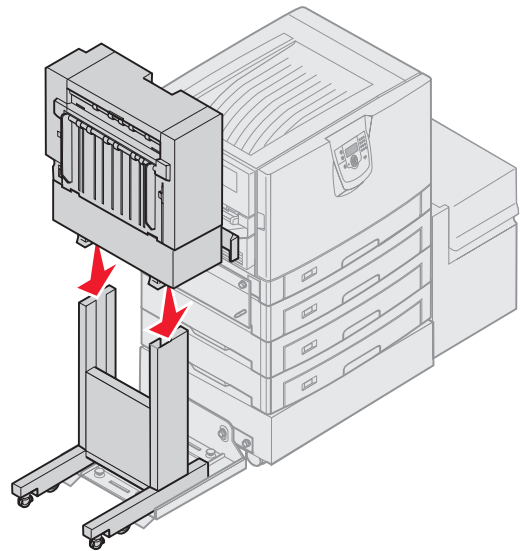
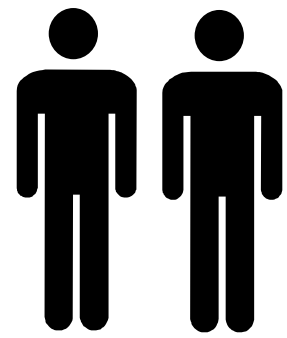


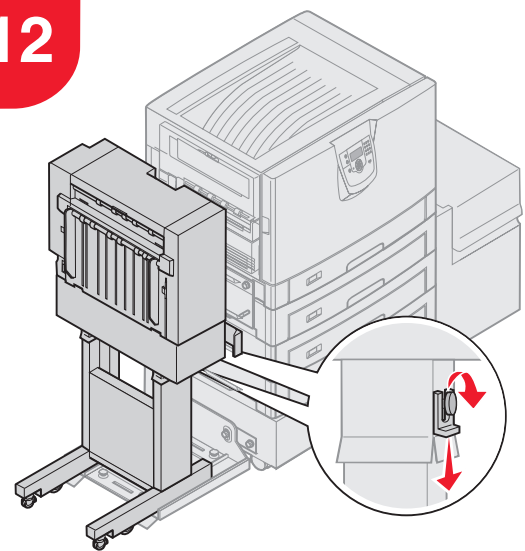
P/N 13N1089 E.C. 3N0029  
© 2005 Lexmark International, Inc. All rights reserved.



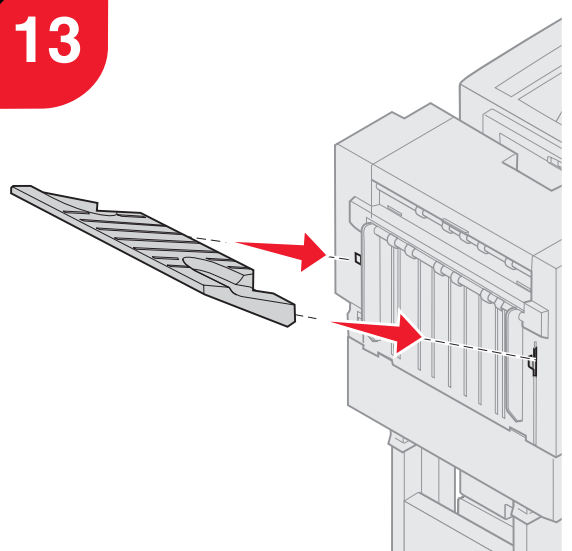
11



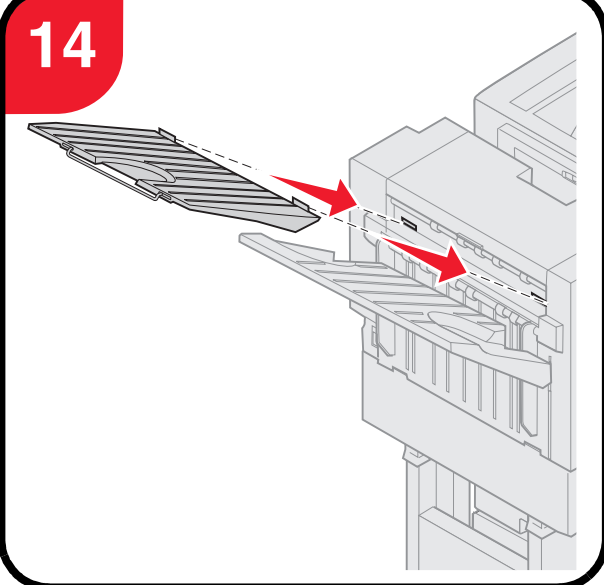
12



13



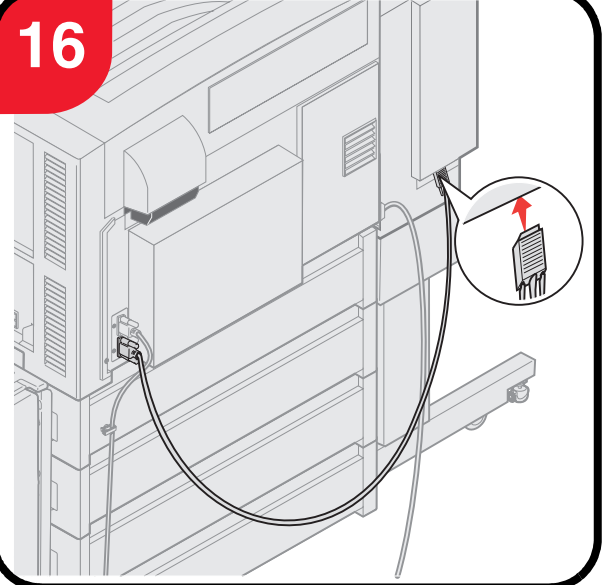
14



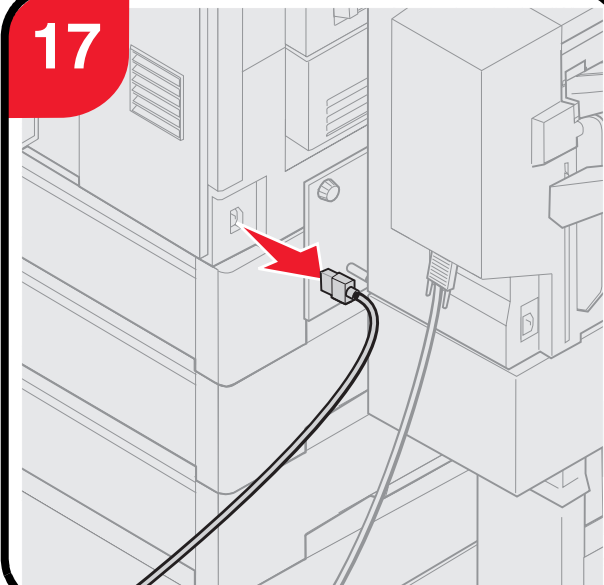
15



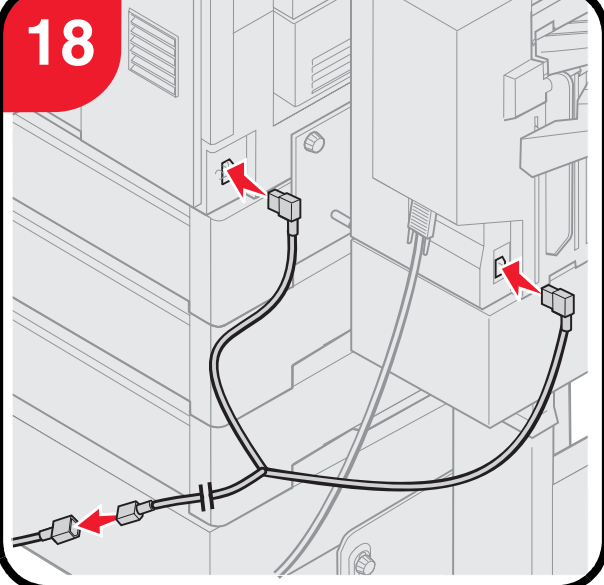
16



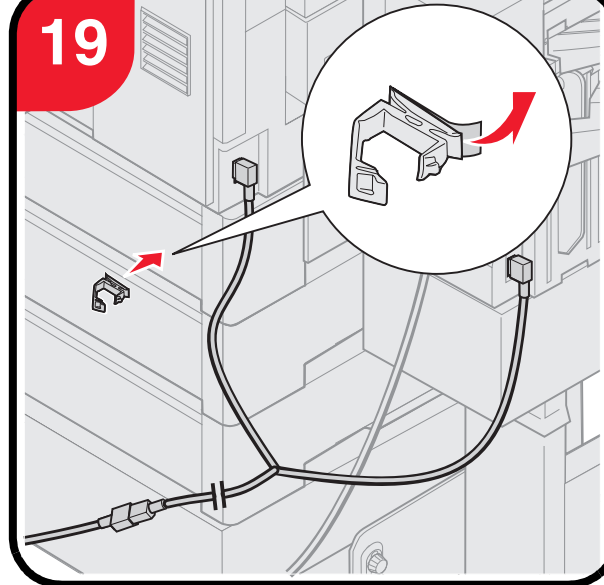
17



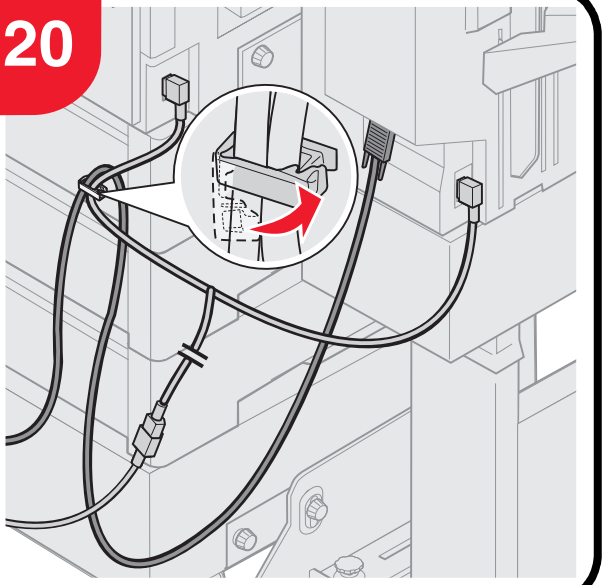
18



19



20



21

