

Setup
Installation
Instalación

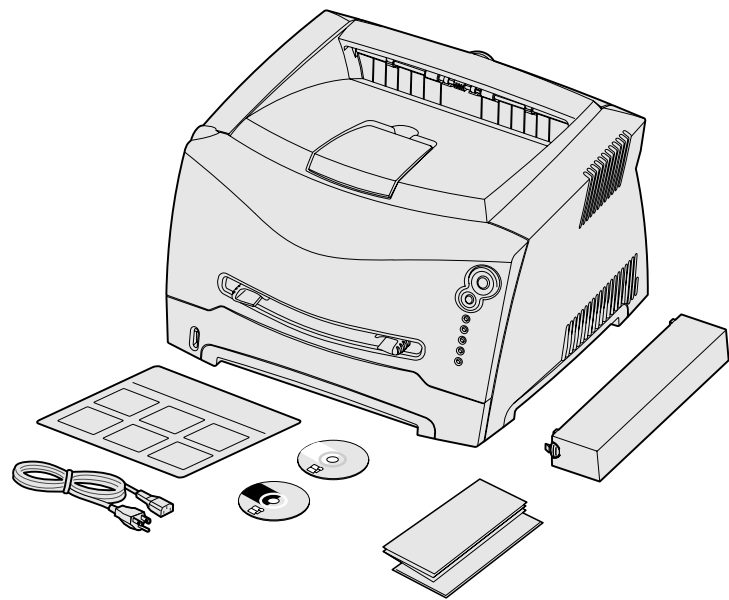
Installazione
Instalação
Installatie

Asennus
Installasjon
Instalacja

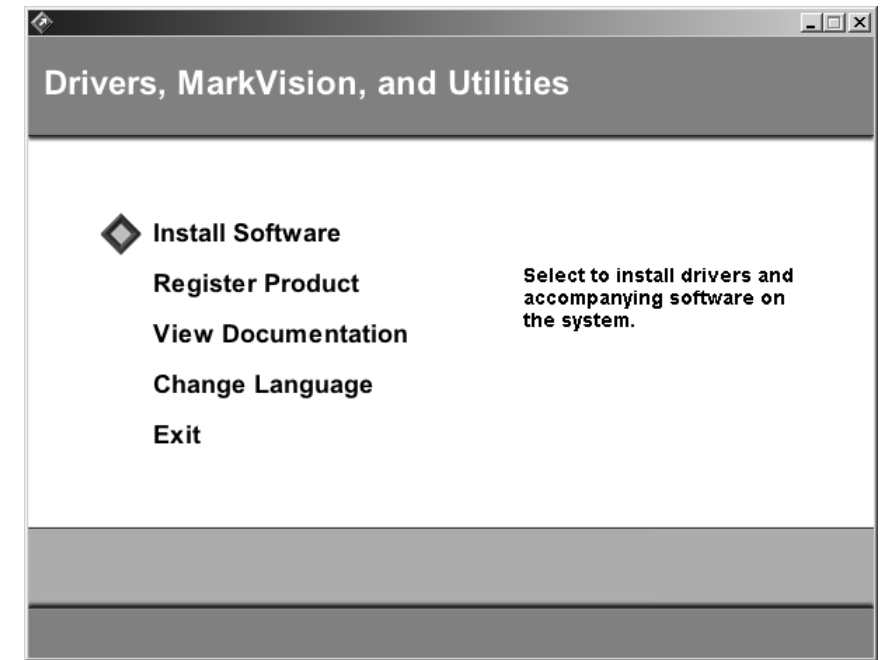
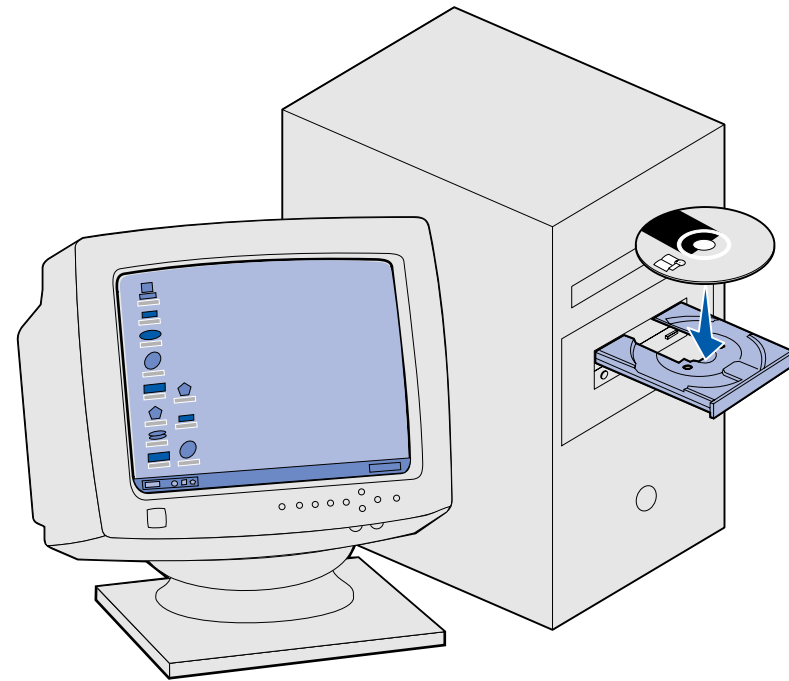
Руководство
по установке

設置
安裝

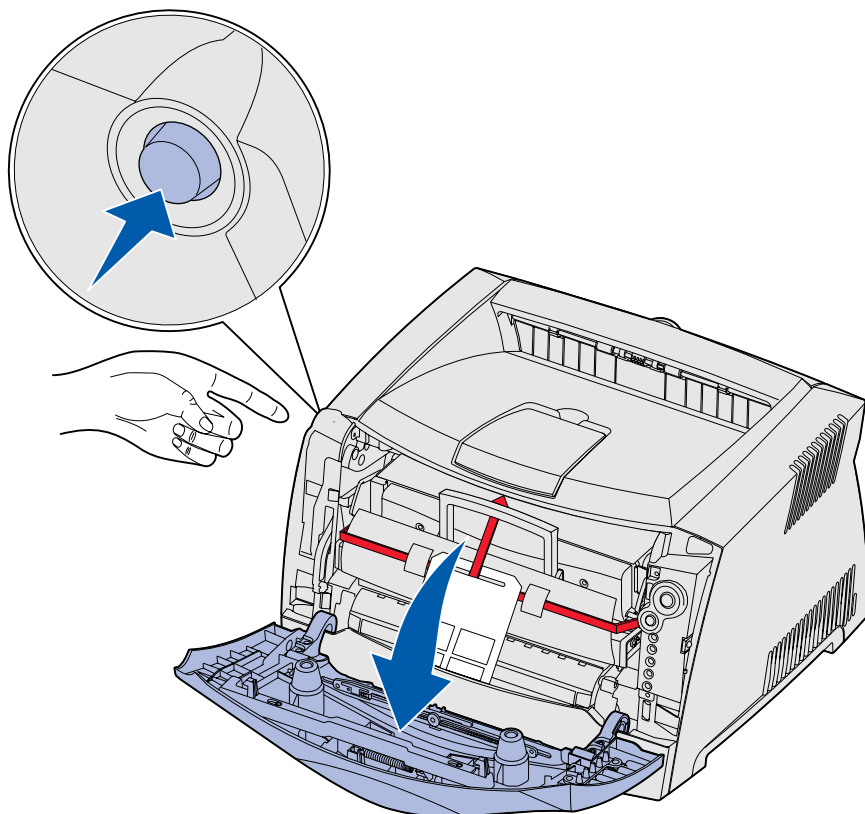
1



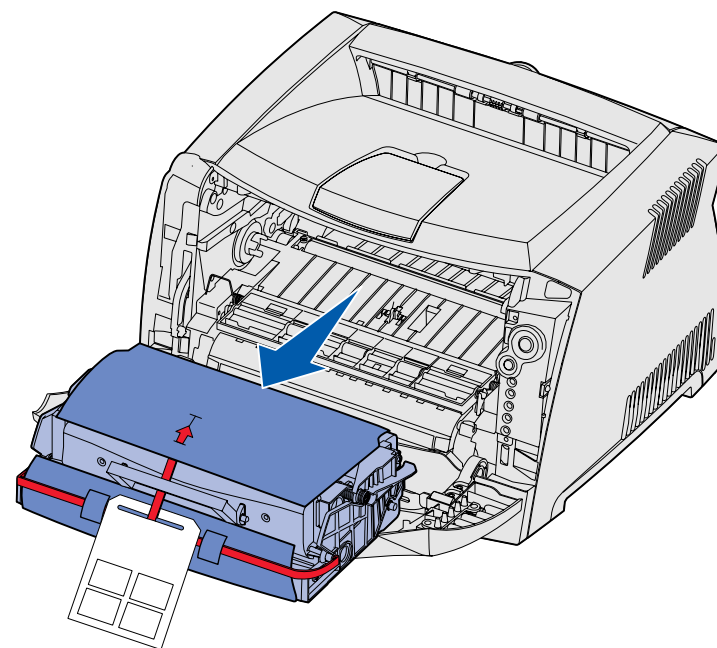
2



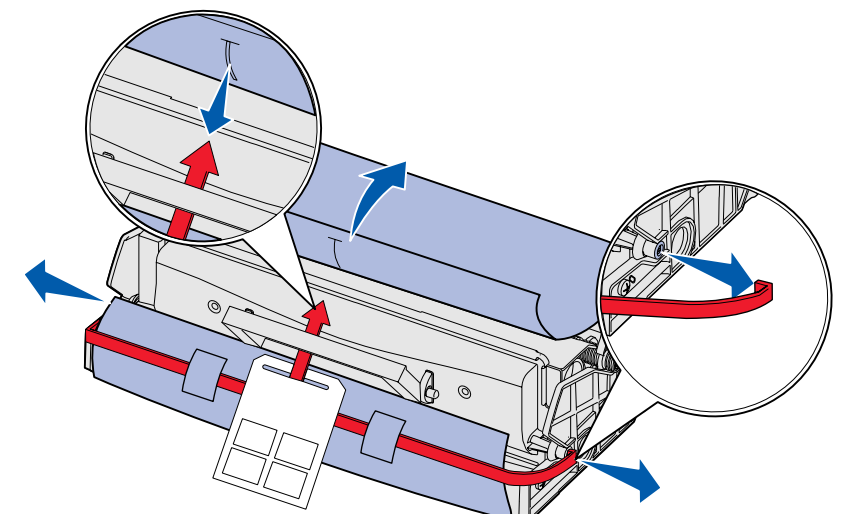
3



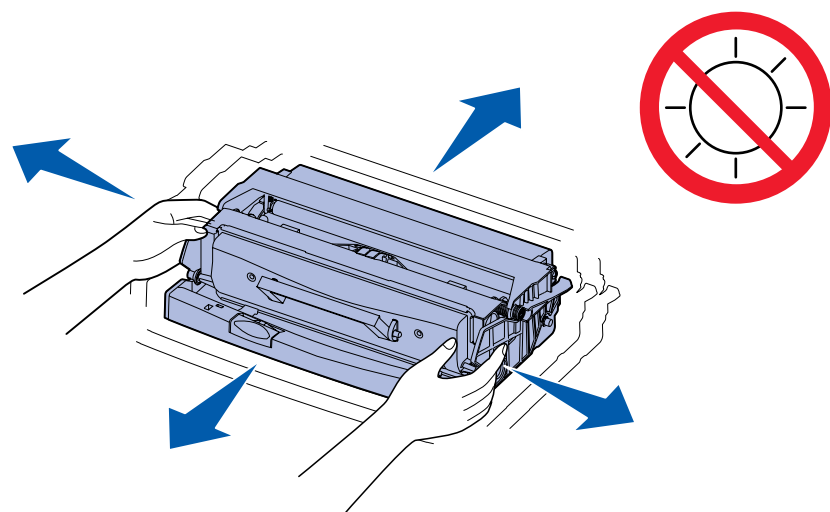
4



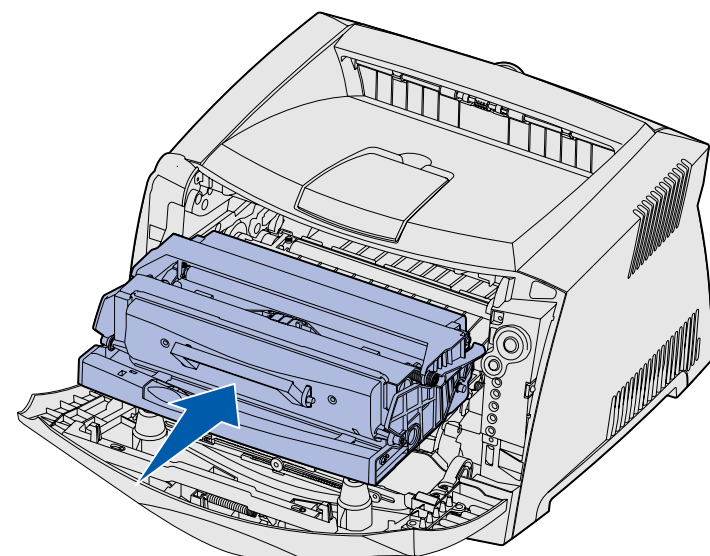
5



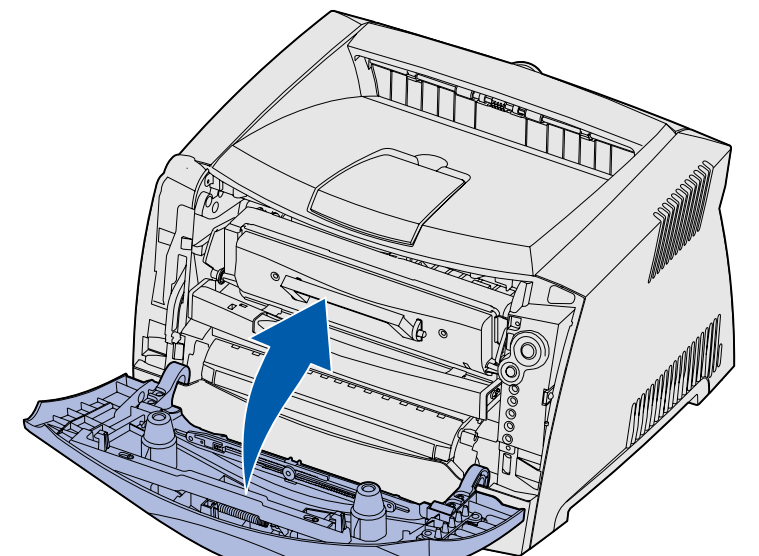
6



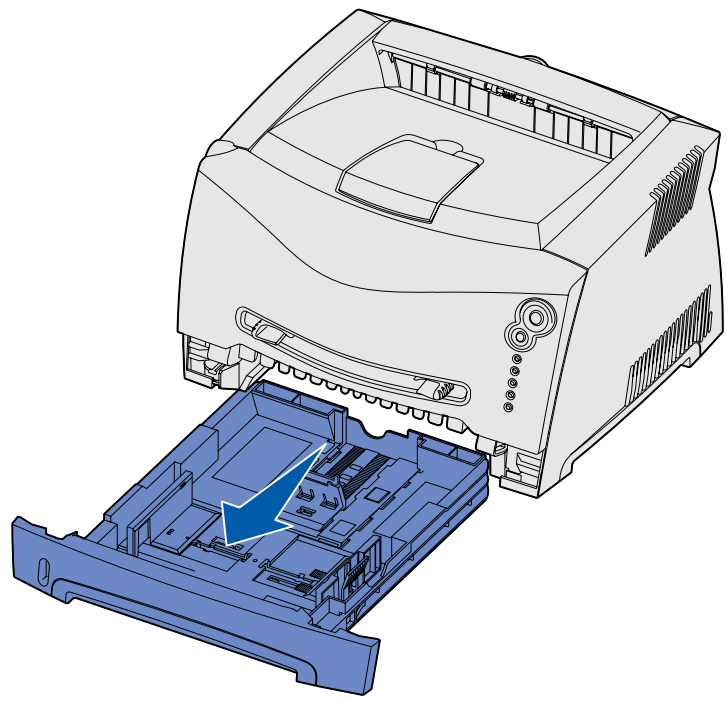
7



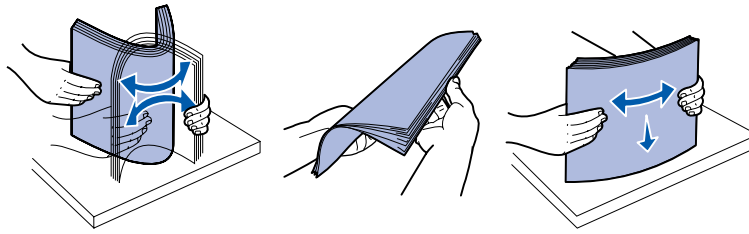
8



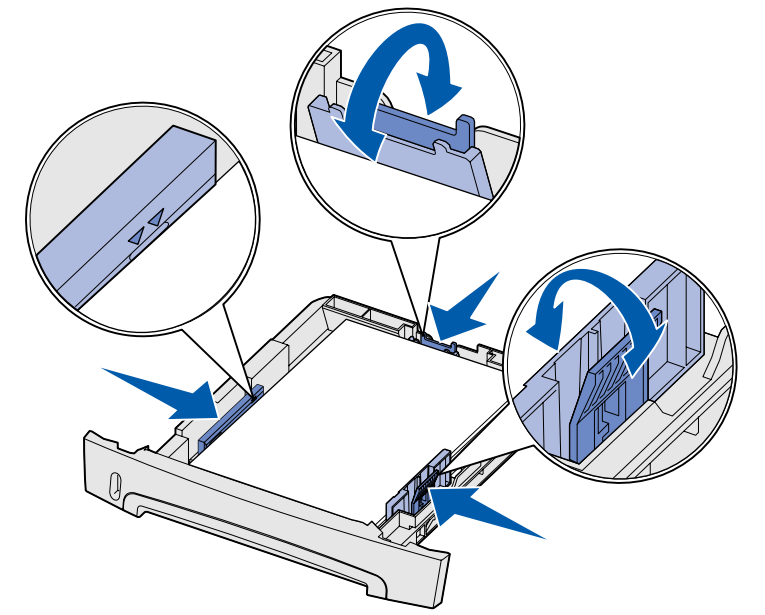
9



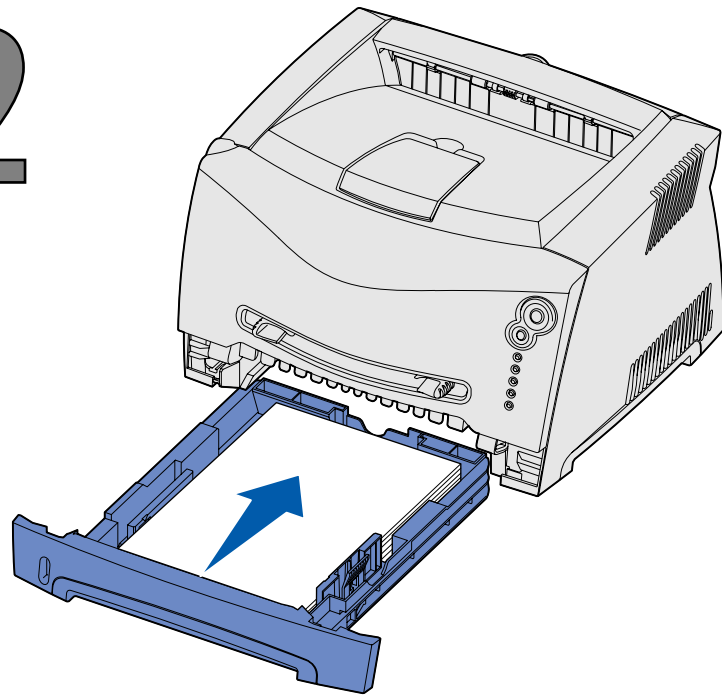
10



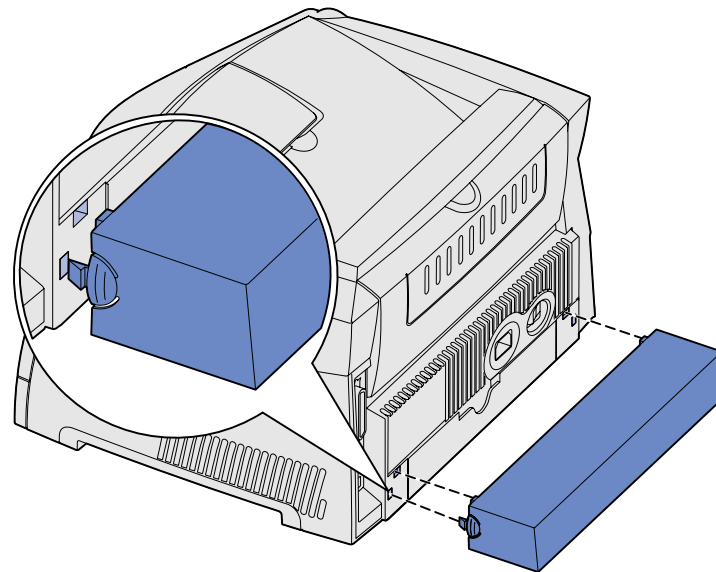
11



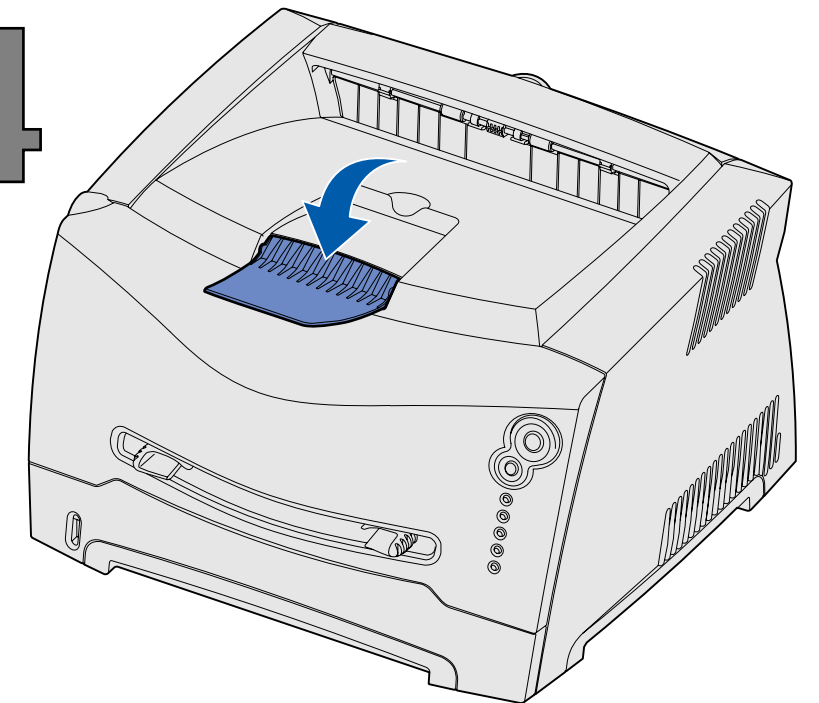
12



13



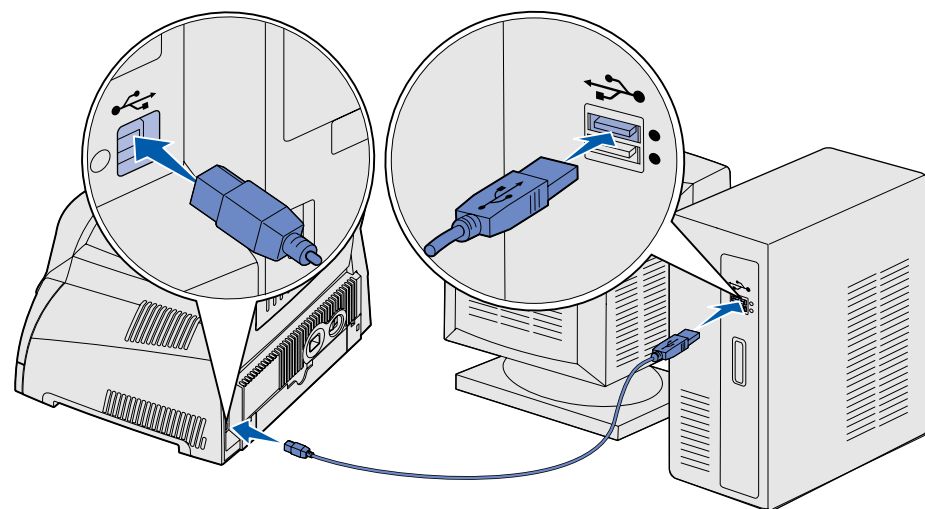
14



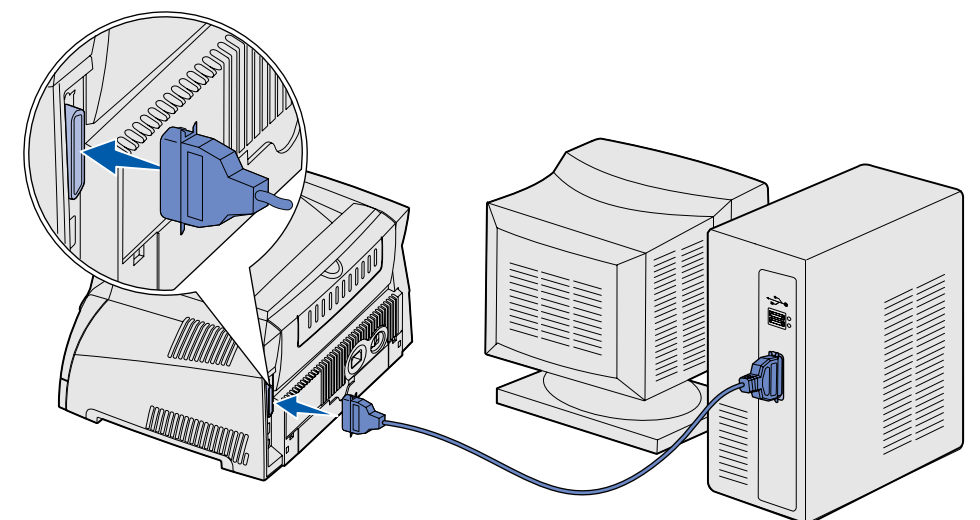
15



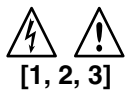
[2]



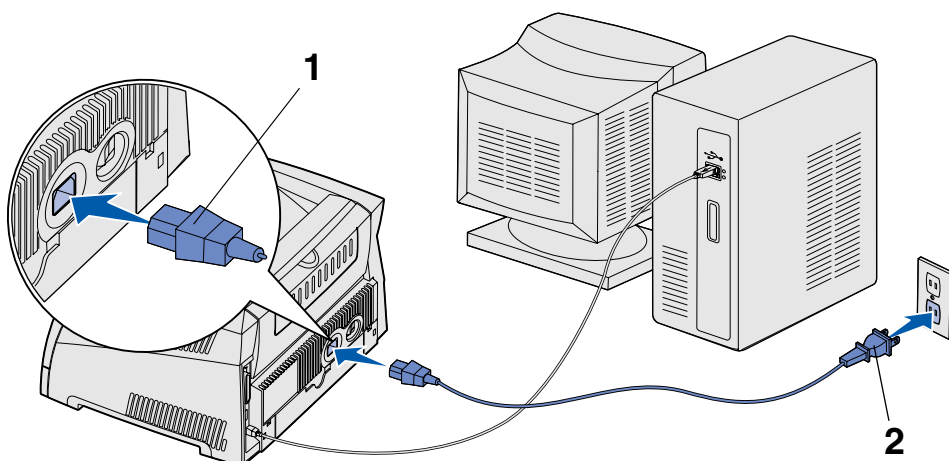
or
ou
o
oder
eller
of
tai
lub
или
或
或



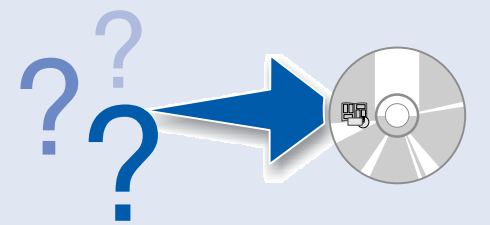
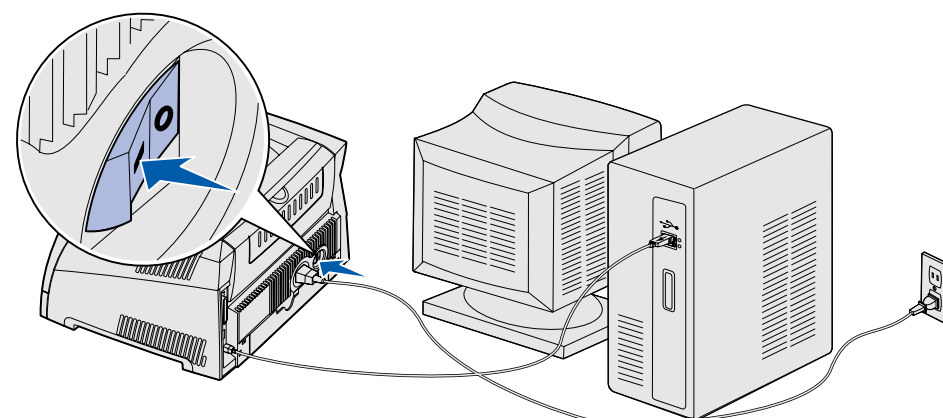
16



[1, 2, 3]



17



Federal Communications Commission (FCC) information
This device complies with the limits for a Class B device in Part 15 of the FCC rules. Refer to the publications CD for more compliance information.