

Setup  
Installation  
Instalación

Installazione  
Instalação  
Installatie

Aseennus  
Installasjon  
Instalacja

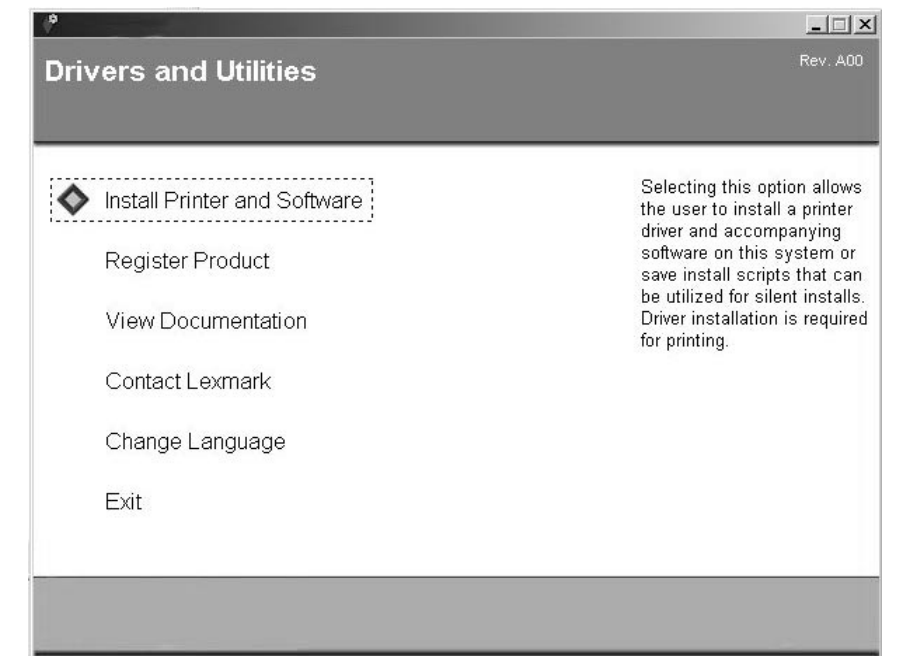
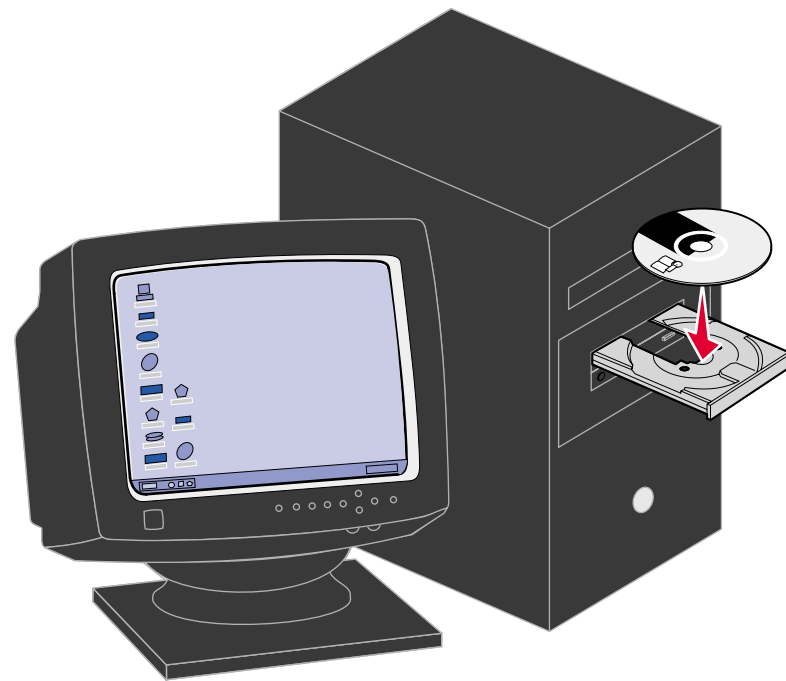
Руководство  
по установке  
설치

設置  
安裝

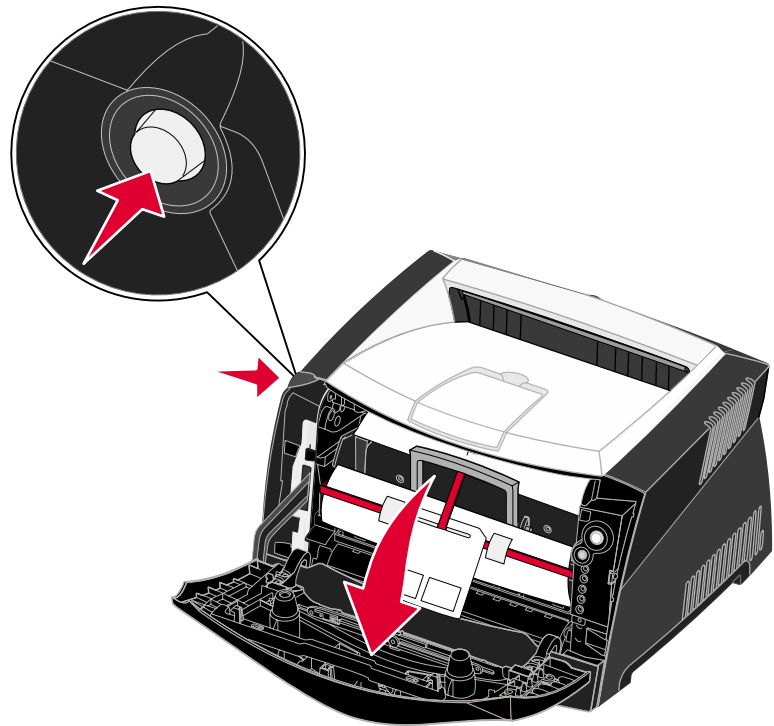
1



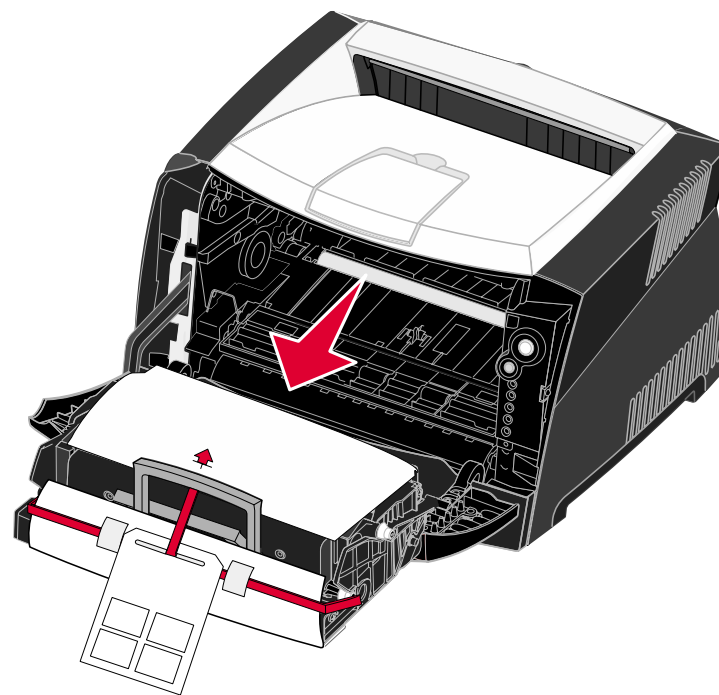
2



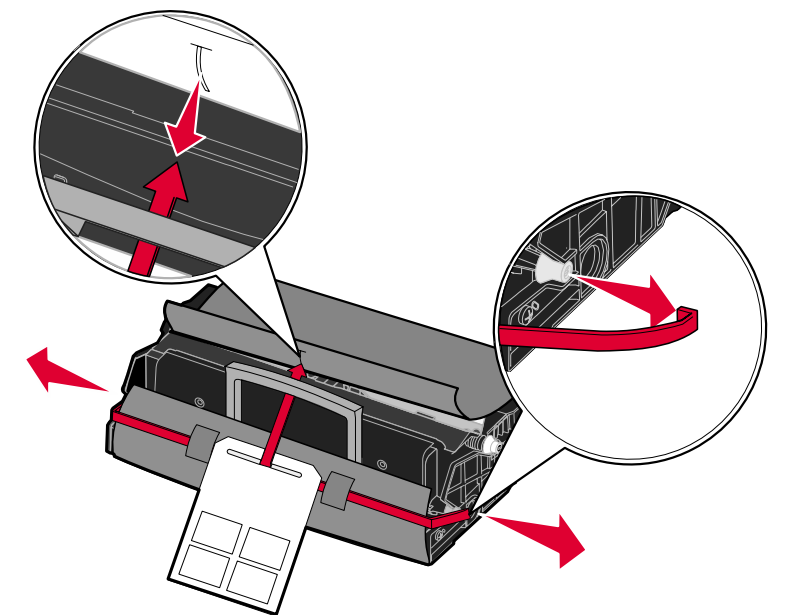
3



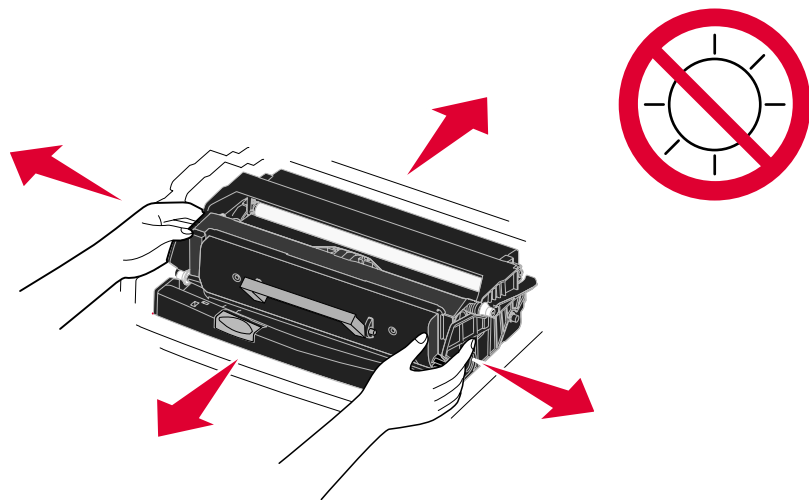
4



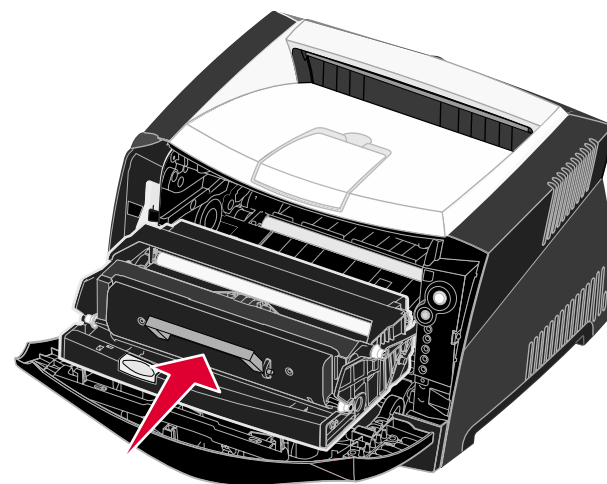
5



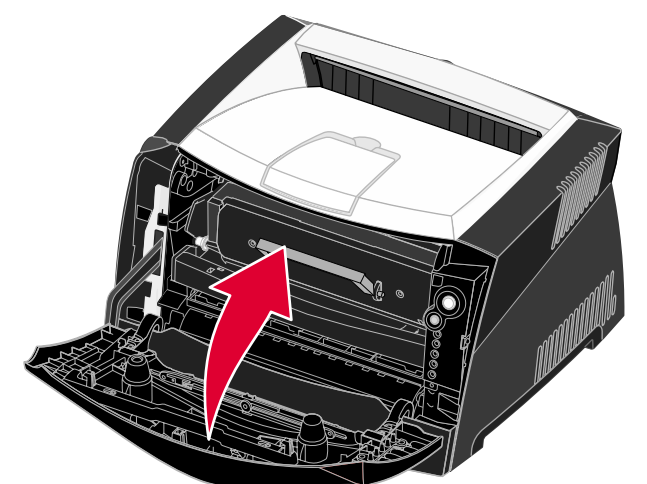
6



7



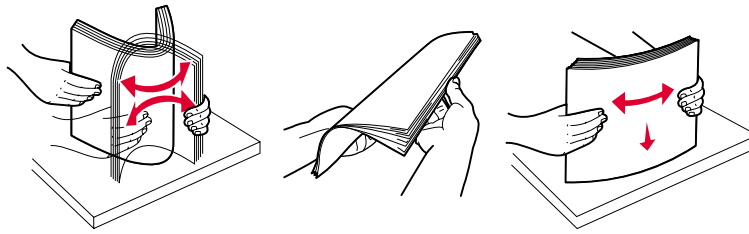
8



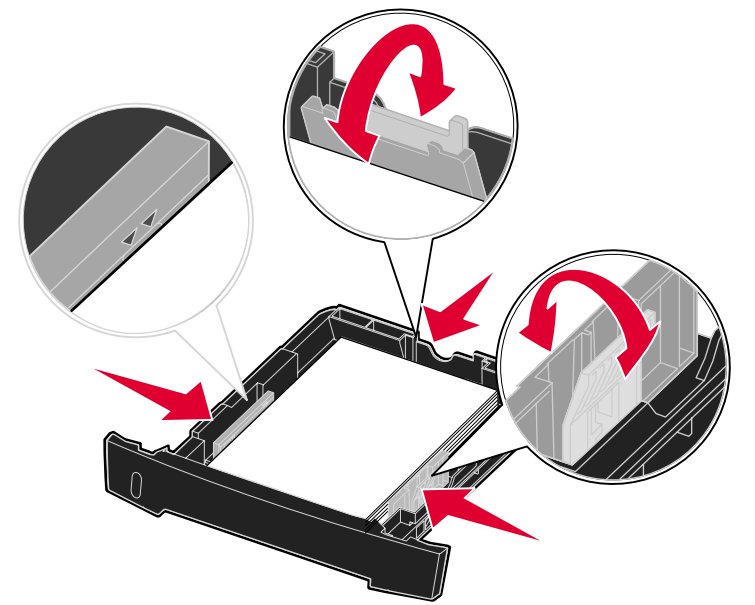
9



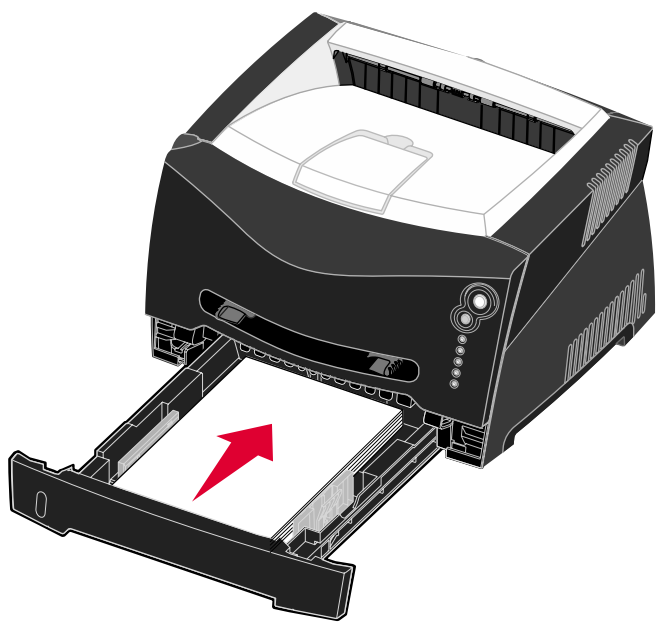
10



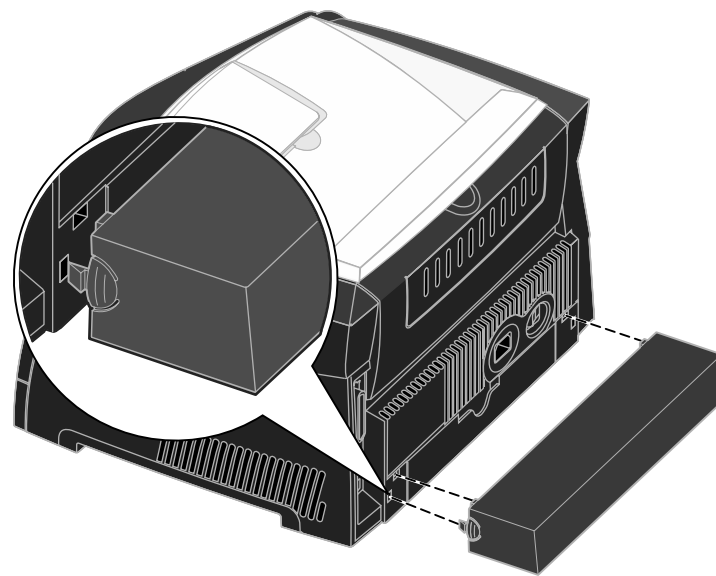
11



12



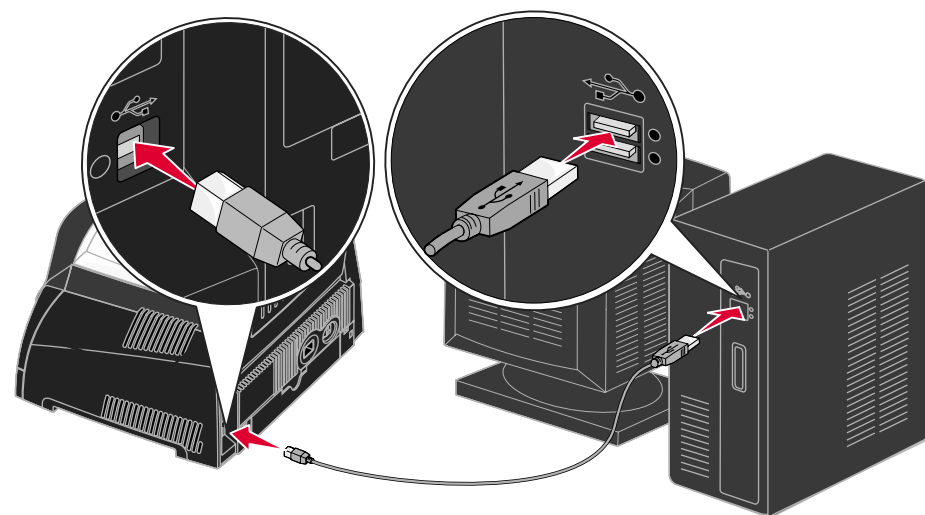
13



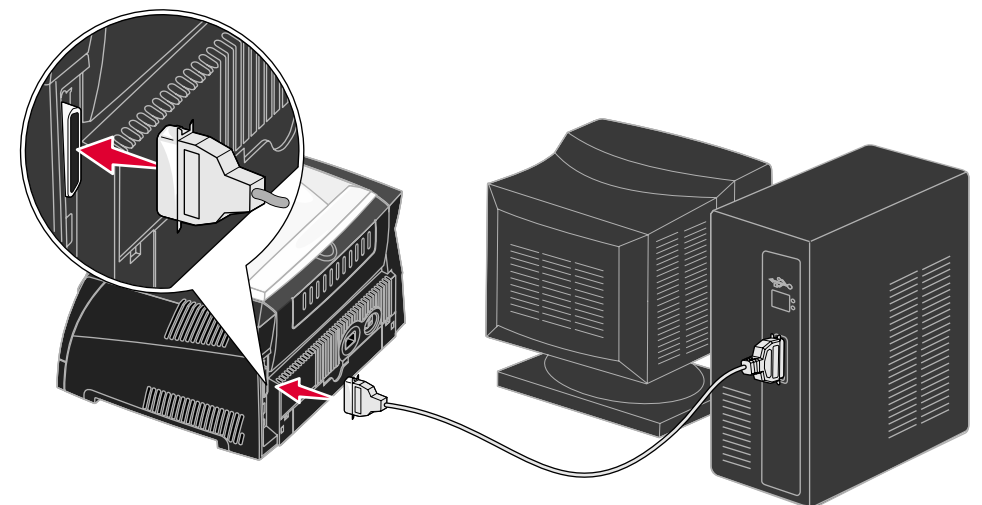
14



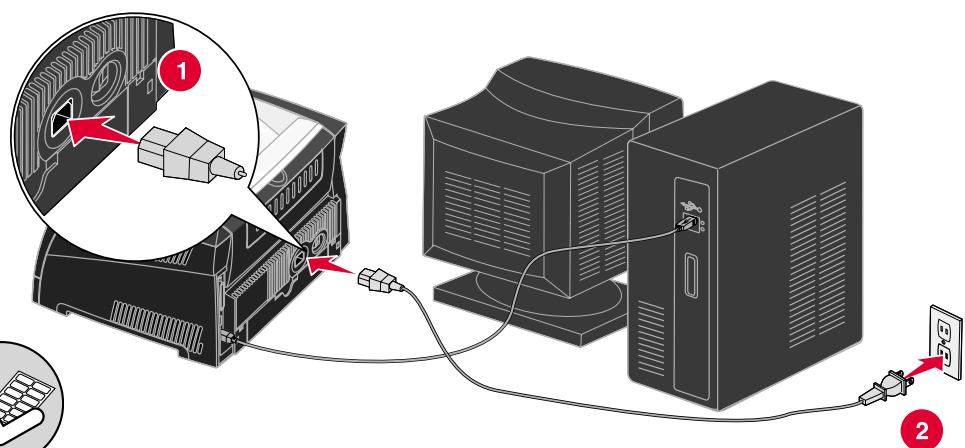
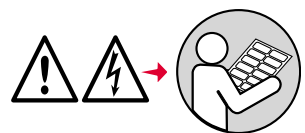
15



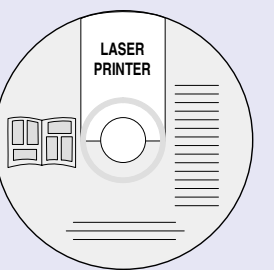
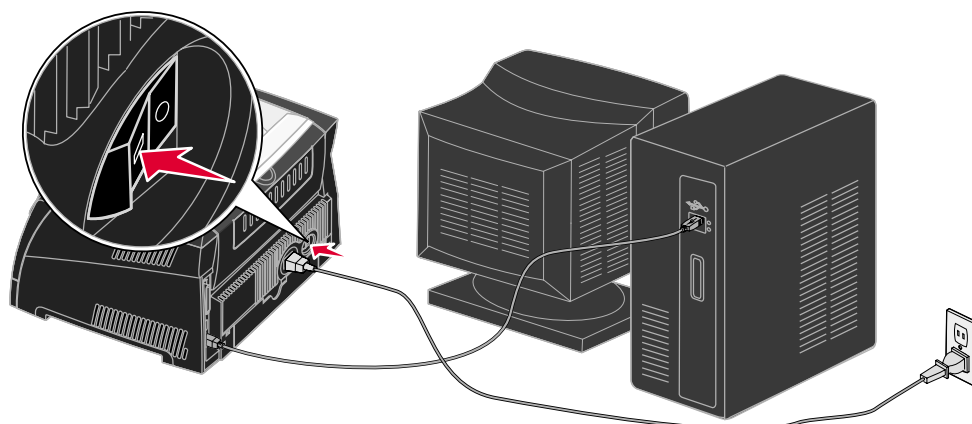
or  
ou  
o  
oder  
eller  
of  
tai  
lub  
или  
或  
或  
또는



16



17



**Federal Communications Commission (FCC) information**  
This device complies with the limits for a Class B device in Part 15 of the FCC rules. Refer to the publications CD for more compliance information.