

Setup
Installation
Instalación

Installazione
Instalação
Installatie

Aseennus
Installasjon
Instalacja

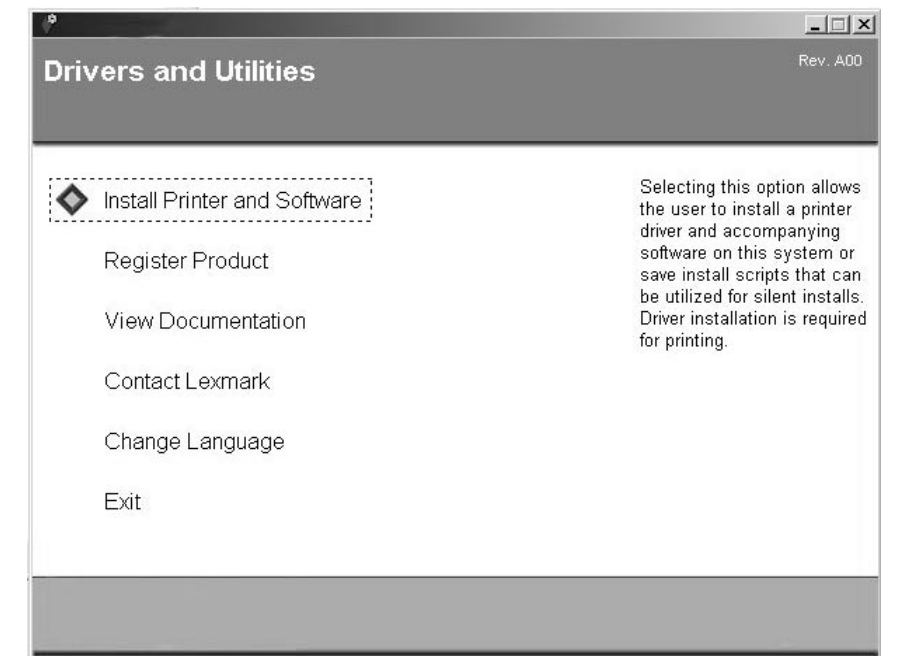
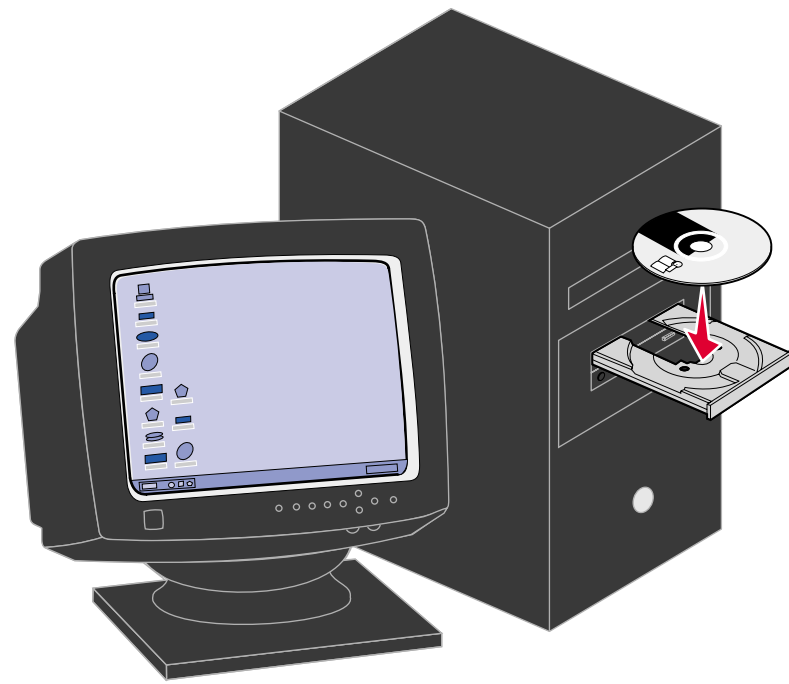
Руководство
по установке
설치

設置
安裝

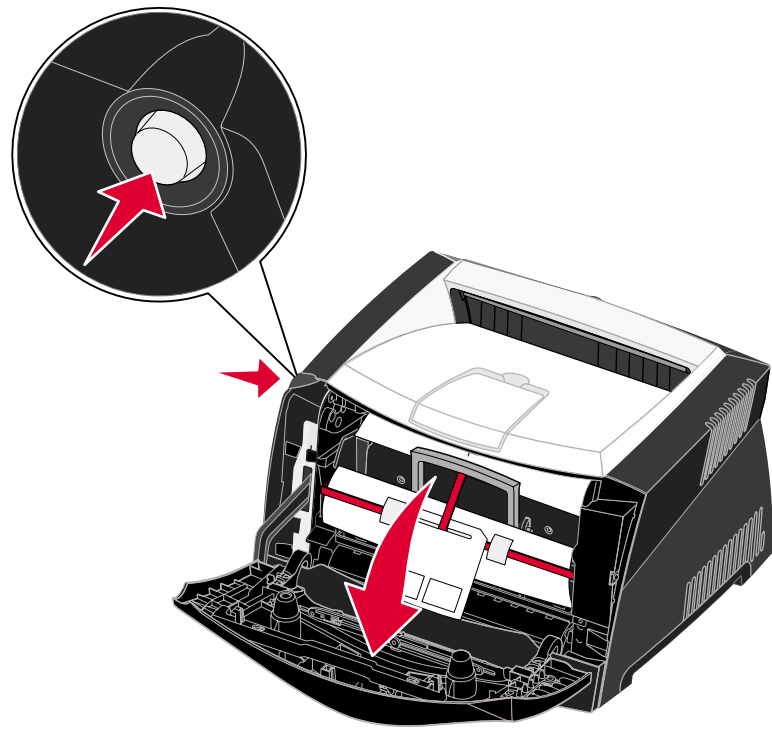
1



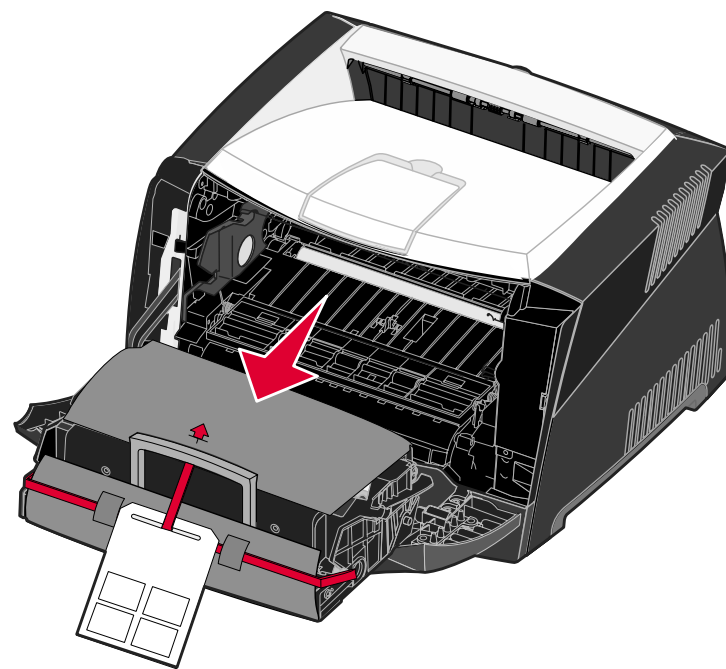
2



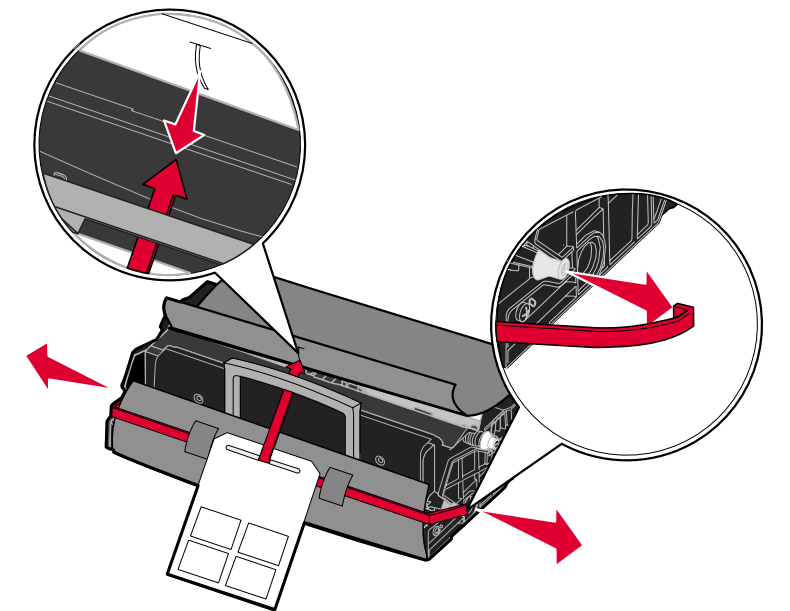
3



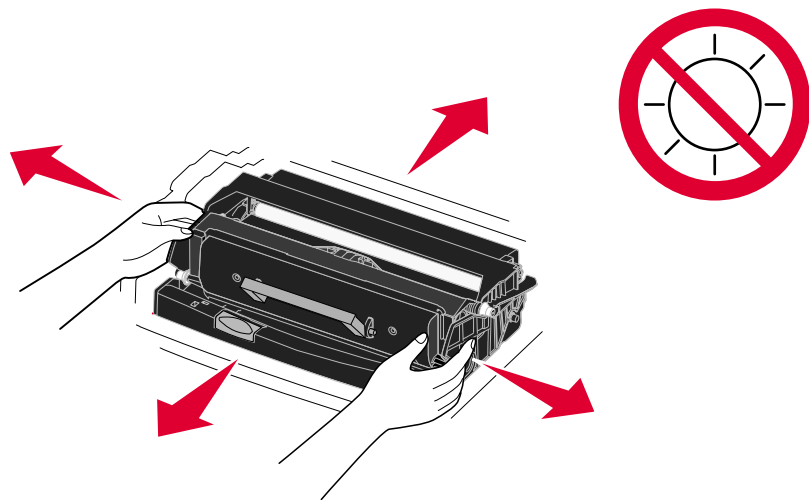
4



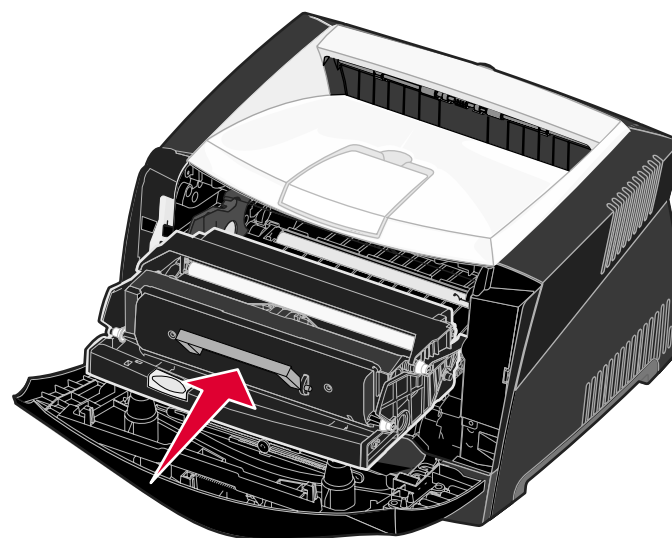
5



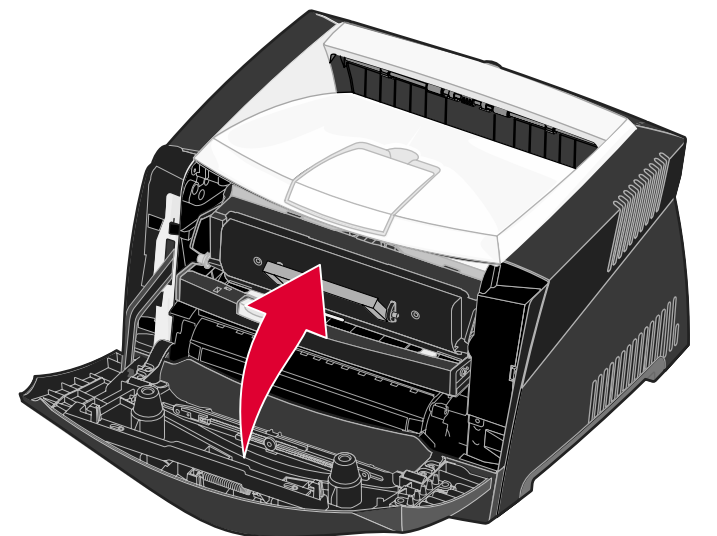
6



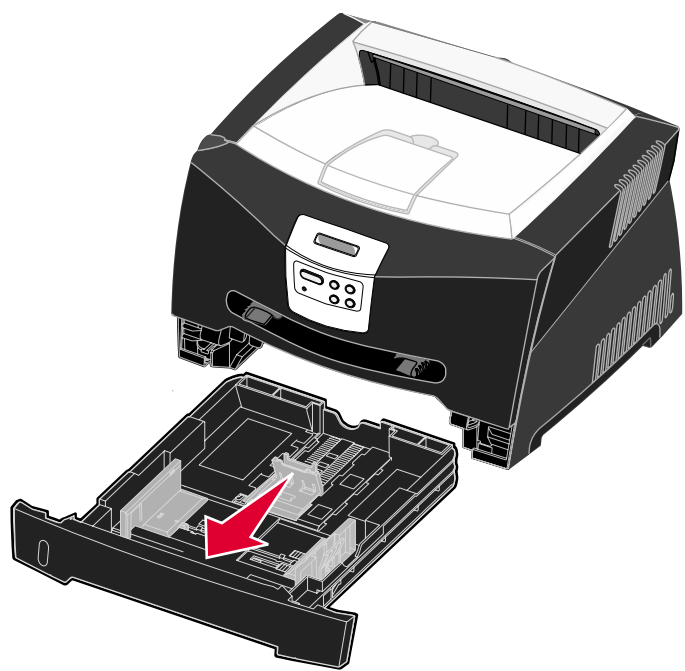
7



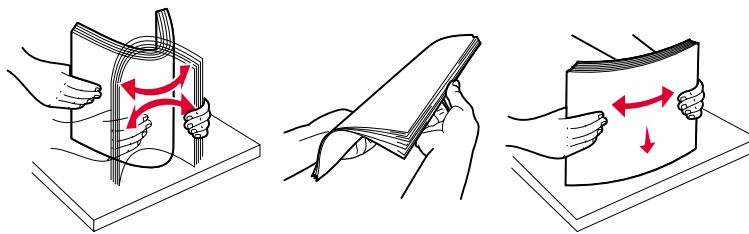
8



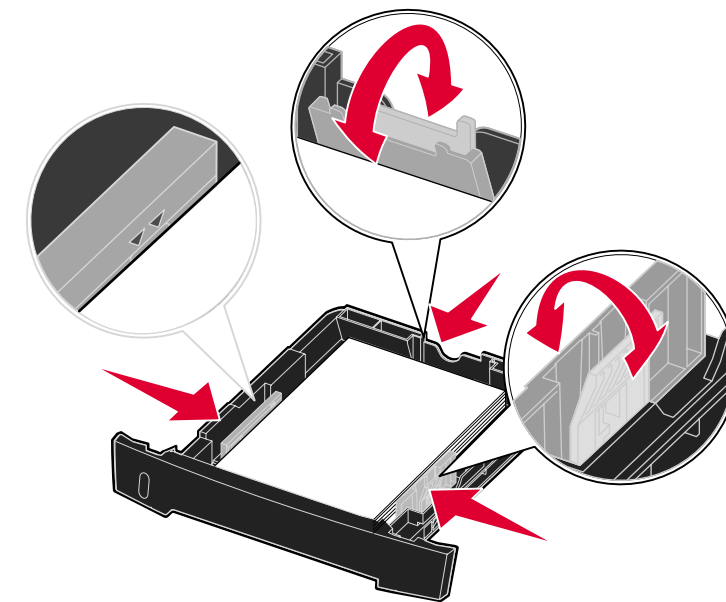
9



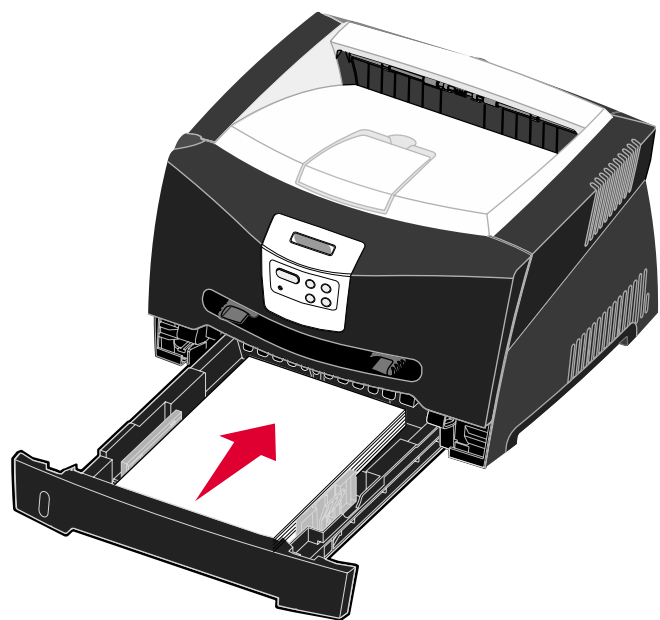
10



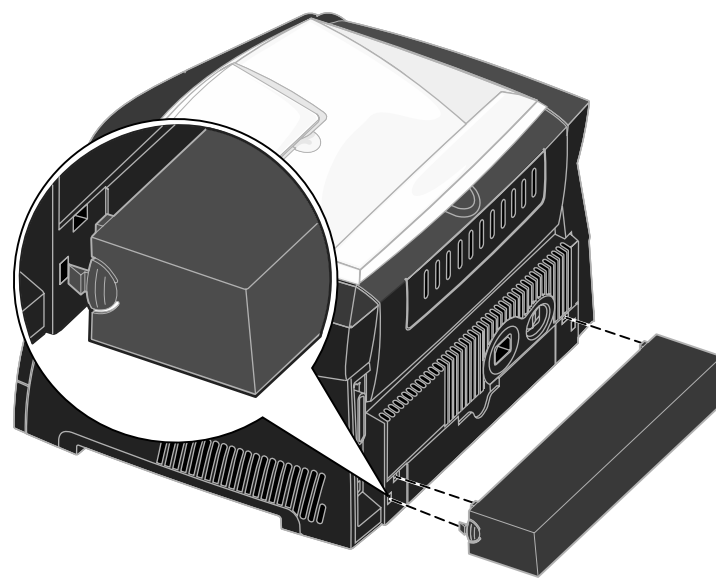
11



12



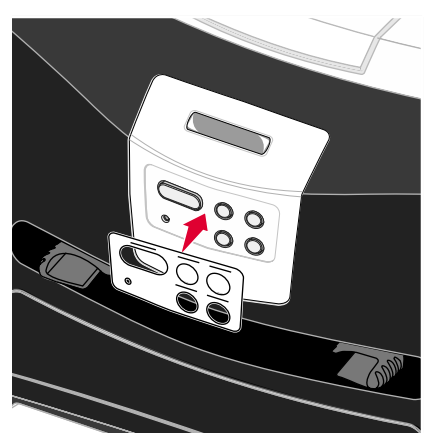
13



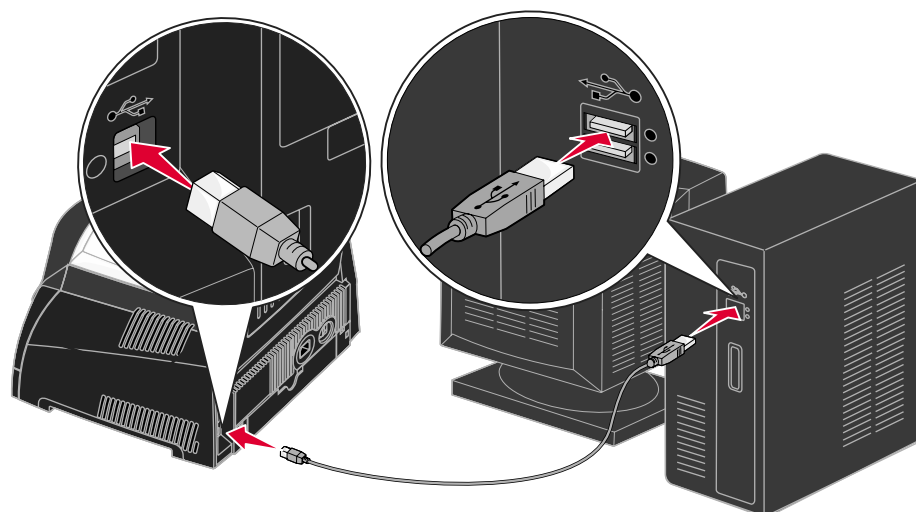
14



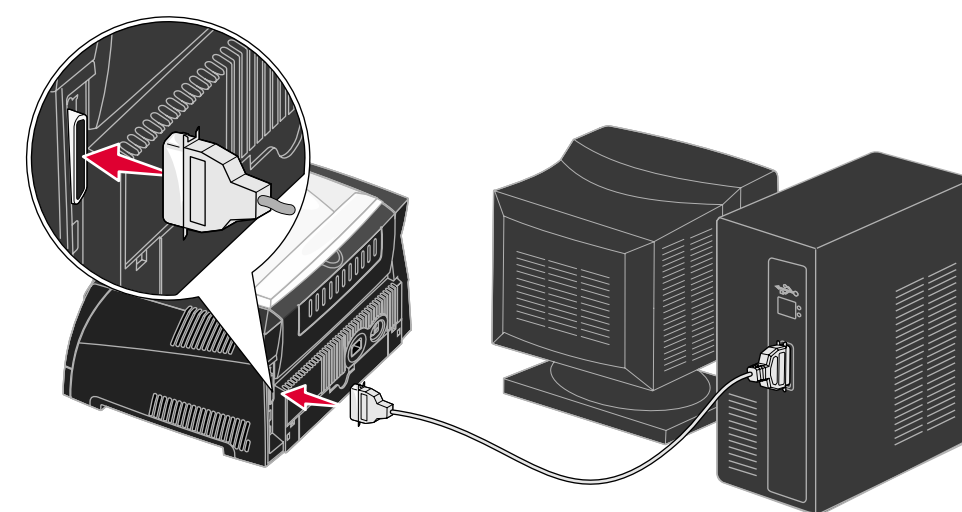
15



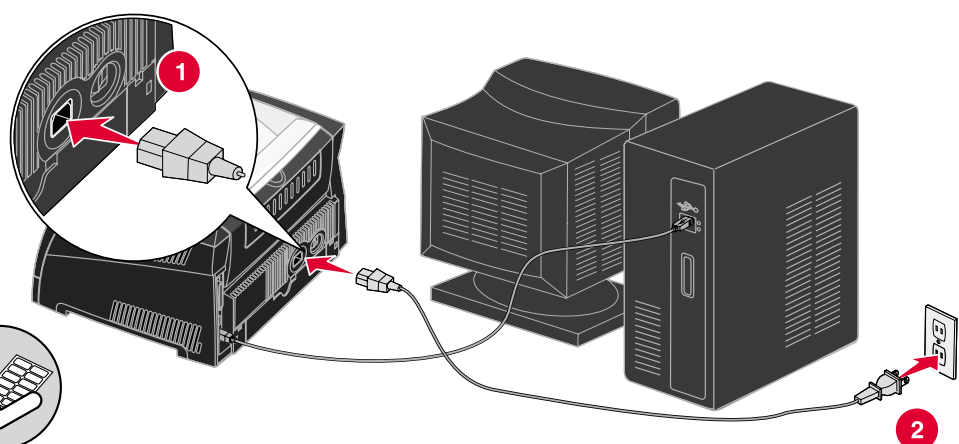
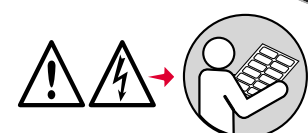
16



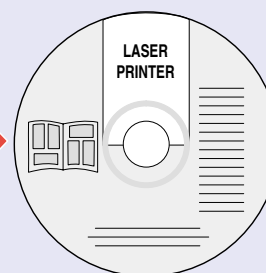
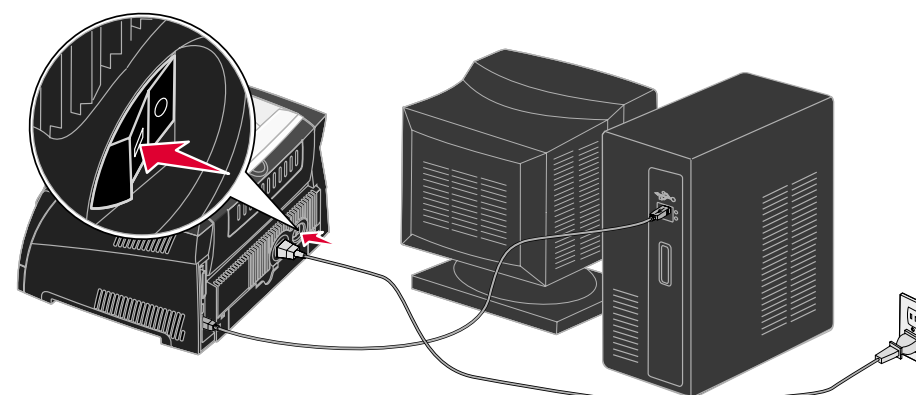
or
ou
oder
eller
of
tai
lub
или
或
或
또는



17



18



Federal Communications Commission (FCC) information
This device complies with the limits for a Class B device in Part 15 of the FCC rules. Refer to the publications CD for more compliance information.