



Disassembly of Waste Electrical and Electronic Equipment (WEEE) Manual

EU Waste Electronic and Electrical Equipment Directive require producers to provide information of the different electronic and electrical materials and components found in their products at its end-of-life, and disassembly references to treatment and recycling facilities.

The disassembly information for this product has been prepared for use by a recognized treatment or recycling facility and is not intended to be used by others.

1. Product information
2. Materials and components list for selective treatment
3. Disassembly tools
4. Disassembly references

The following information is intended only for the use of treatment and recycling facilities.

All disassembly instructions should be performed with the power switch in the OFF position. Disconnect the power cord from the wall outlet and from the printer before continuing. If there are any other devices attached to the printer, then turn them off as well, and unplug any cables going into the printer.

1. Product information

Model name(s)—Indicate all model name(s) within the product family

Model name
Lexmark C746 series – Lexmark C746n, Lexmark C746dn, Lexmark C746dtn
Lexmark C748 series – Lexmark C748e, Lexmark C748de (Lexmark CS748de), Lexmark C748dte

* Add rows as needed

2. Materials and components list for selective treatment

Items	Quantity	Notes
Polychlorinated biphenyls (PCB) containing capacitors	0	N/A
Mercury containing components, such as switches or backlighting lamps	0	N/A
Batteries	1	Lithium Manganese Dioxide coin cell located on the system controller card
Printed circuit boards greater than 10 cm ²	7	For Lexmark C746dtn, Lexmark C748dte (locations illustrated in 4.2) – 6 for Lexmark C746n, Lexmark C746dn, Lexmark C748e, Lexmark C748de

Toner cartridges, liquid and pasty, as well as colour toner	4 Toner cartridge; 1 Waste toner bottle	Toner cartridges located inside Front cover Waste toner located below toner cartridges
Plastic containing brominated flame retardants	2 Fans; 18 Sensors; 4 Fuser parts	Fan(s) and Sensors (locations illustrated in 4.2) Plastic parts located in the fuser assembly marked with recycle code that includes "FR17" or FR"16"
Asbestos waste and components which contain asbestos	0	N/A
Cathode ray tubes	0	N/A
Chlorofluorocarbons (CFC), Hydrochlorofluorocarbons (HCFC) or Hydrofluorocarbons (HFC), Hydrocarbons (HC)	0	N/A
Gas discharge lamps	0	N/A
Liquid Crystal Display (LCD) greater than 100 cm ² and those back-lighted with Gas discharge lamps	0	N/A
External electrical cables	1	Power cord located on the back lower left quadrant
Components containing refractory fibres	0	N/A
Components containing radioactive substances	0	N/A
Electrolyte capacitors containing substances of concern ¹	4	Capacitor(s) located on Power Supply (locations illustrated in 4.2)
¹ With (height > 25 mm, diameter > 25 mm or proportionately similar volume)		

3. Disassembly tools

Item
#2 Phillips screwdriver, magnetic
Wire cutter
E-clip puller or small flat-head screwdriver
Standard slotted head screwdriver

4. Disassembly references

4.1. Removal procedure(s)



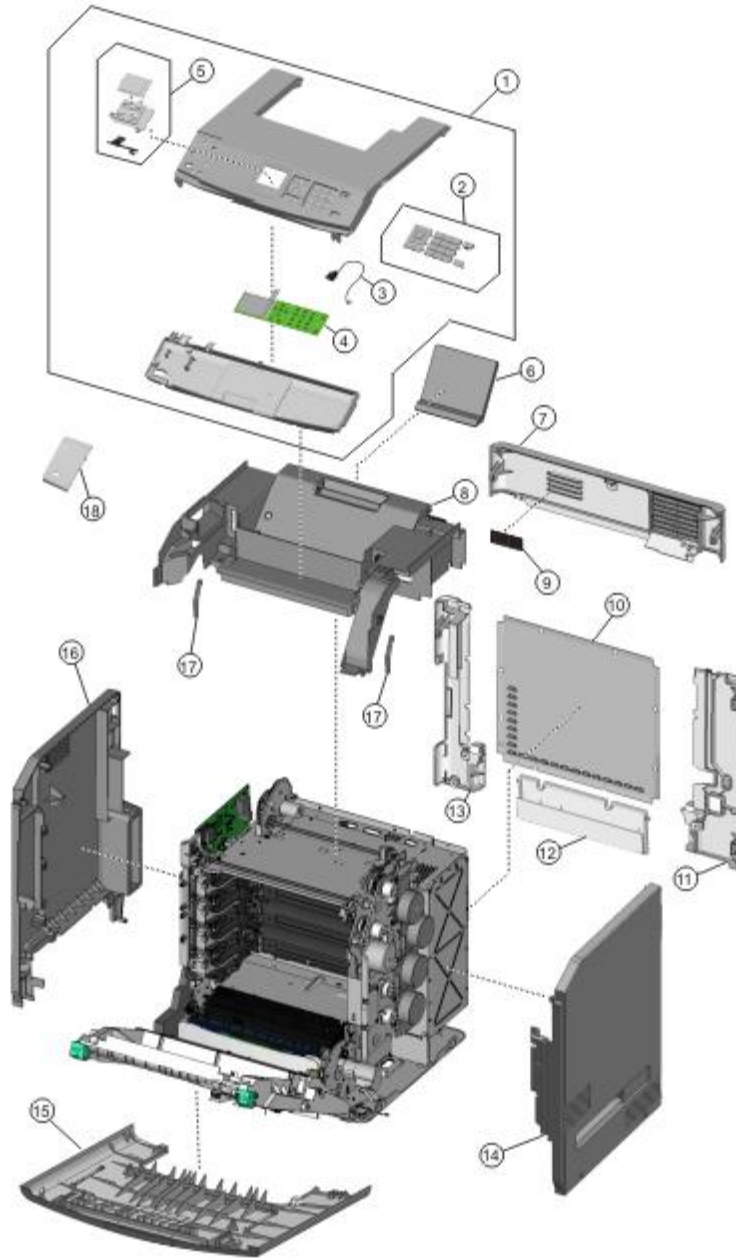
C74x WEEE removal

WEEE materials and components removal procedures are available upon request.
Contact: recycling@lexmark.com

4.2. Graphical illustration of material's and component's location

C74xSeries
Location

C746 Electronics 1



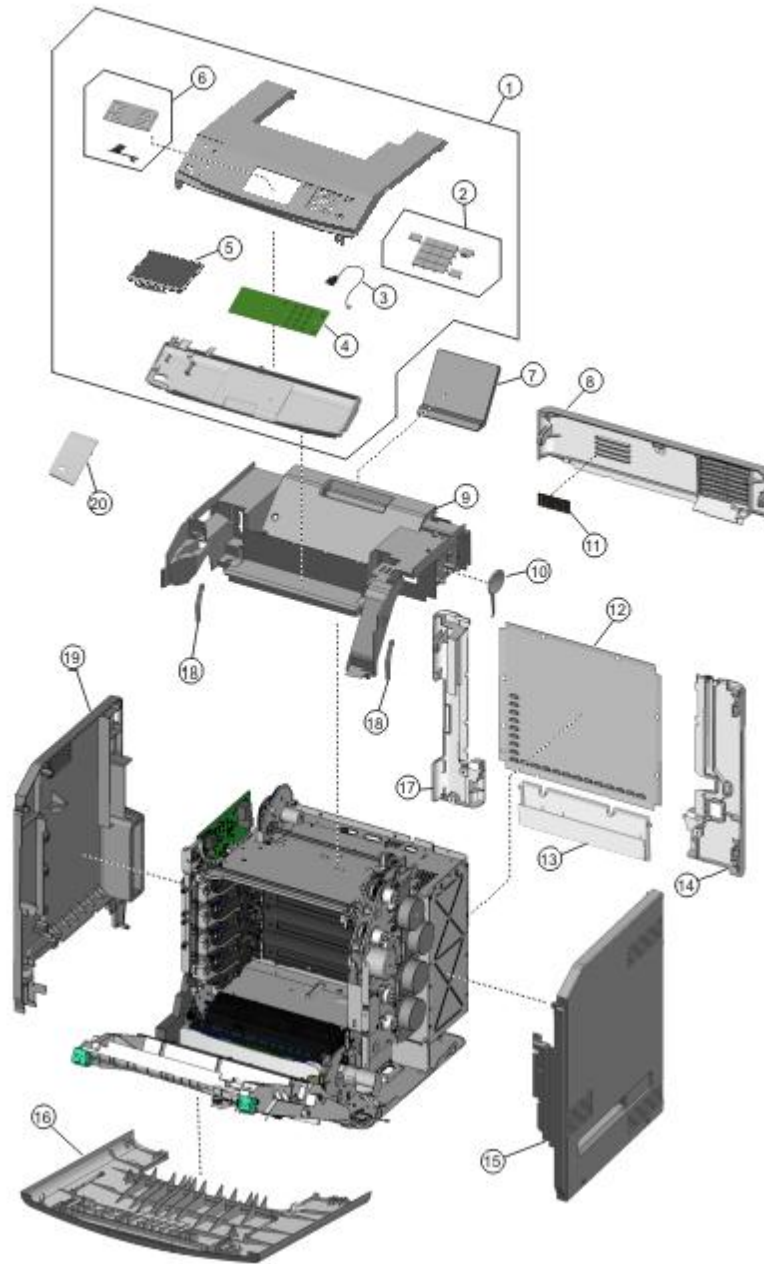
C74xSeries Location

Index	Description
1	Top access cover assembly, 2.3 inch
2	2.3 inch operator panel buttons parts package Includes the following: Button kit Sleep button Return button Select button Navigation button Home button LED Lens
3	Bin full sensor with cable
4	2.3 inch operator panel assembly with card Includes the following: LCD Display UICC card
5	Top access cover parts package Includes the following: Bin full flag Operator panel display bracket
6	Output bin extension cover
7	Rear upper cover
8	Top cover assembly
9	Cooling fan filter

Index	Description
10	Rear frame cover
11	Rear right cover
12	Dust cover assembly
13	Rear left cover
14	Right cover
15	Front access door cover assembly
16	Left cover
17	Top access cover links (slider cam) The left link is also available in the top access cover assembly and the right link is also available in the EP drive assembly
18	Operator panel bezel, C74x (blank logo)
18	Operator panel bezel, C746n
18	Operator panel bezel, C746dn and C746dtn

C74xSeries Location

C748 Electronics 1



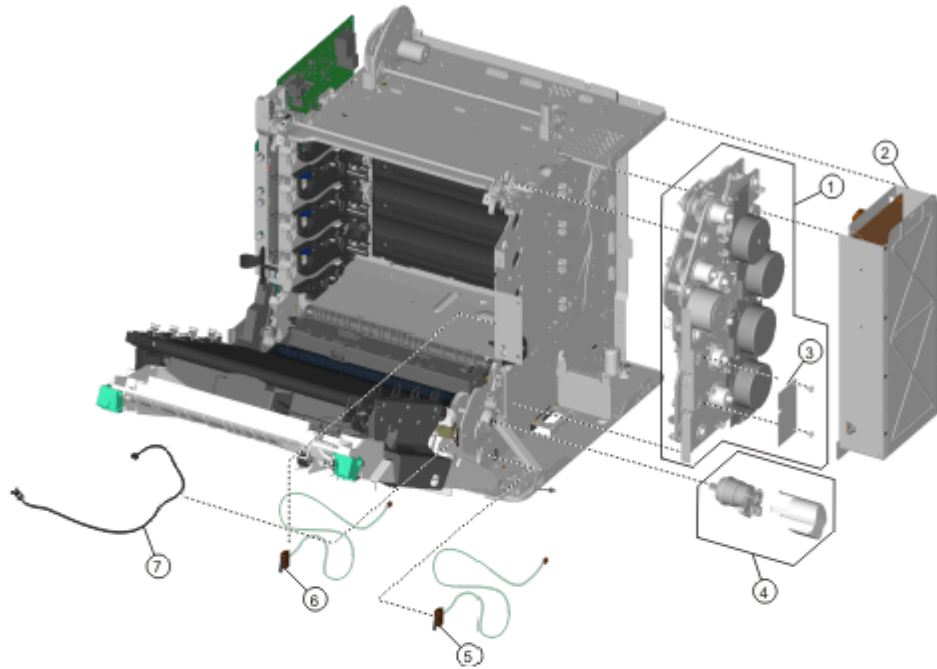
C74xSeries Location

Index	Description
2—1	Top access cover assembly, 4.3 inch
2	4.3 inch operator panel buttons parts package Includes the following: Button kit Home button Sleep button LED Lens
3	Bin full sensor with cable
4	UICC card
5	4.3 inch LCD display
6	Top access cover parts package Includes the following Bin full flag Operator panel display bracket
7	Output bin extension cover
8	Rear upper cover
9	Top cover assembly
10	Speaker

Index	Description
11	Cooling fan filter
12	Rear frame cover
13	Dust cover assembly
14	Rear right cover
15	Right cover
16	Front access door cover assembly
17	Rear left cover
18	Top access cover links (slider cam) The left link is also available in the top access cover assembly and the right link is also available in the EP drive assembly
19	Left cover
20	Operator panel bezel, C74x (blank logo)
20	Operator panel bezel, C748de
20	Operator panel bezel, C748e

C74xSeries Location

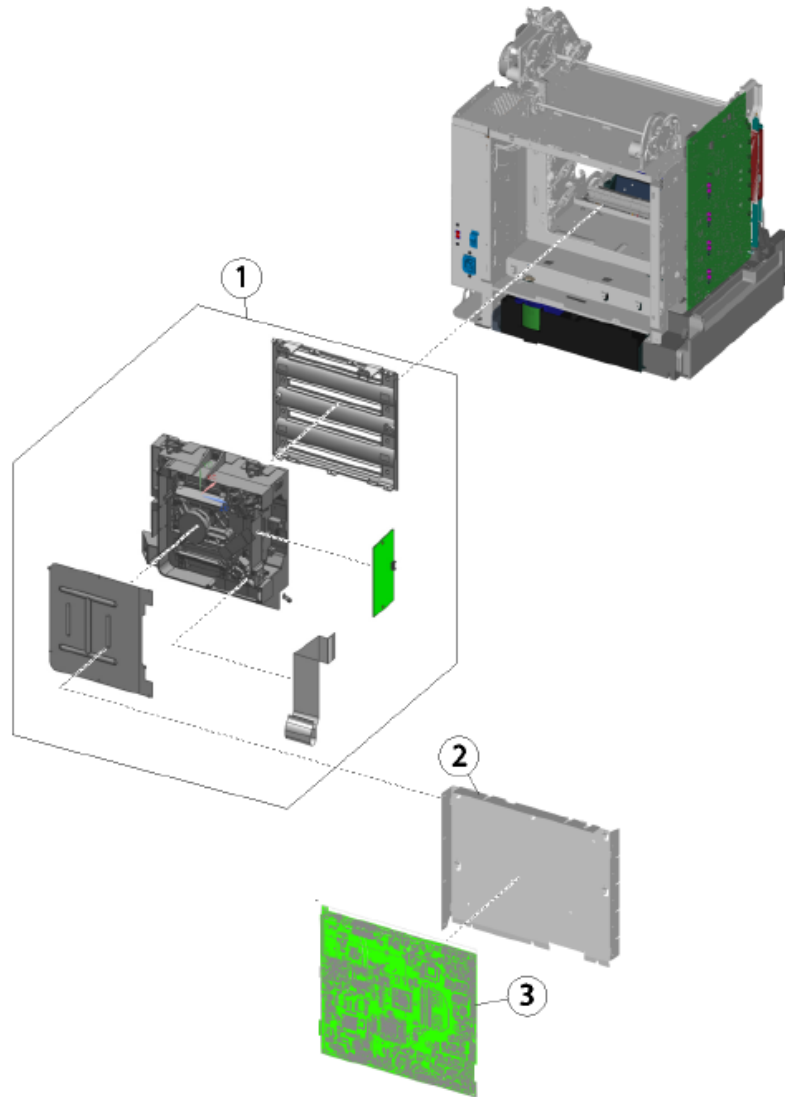
Electronics 2



Index	Description
1	EP drive assembly
2	Low-voltage power supply
3	Motor driver card
4	MP feeder/duplex motor
5	24 V interlock switch
6	5 V interlock switch
7	MPF paper present sensor with cable

C74xSeries Location

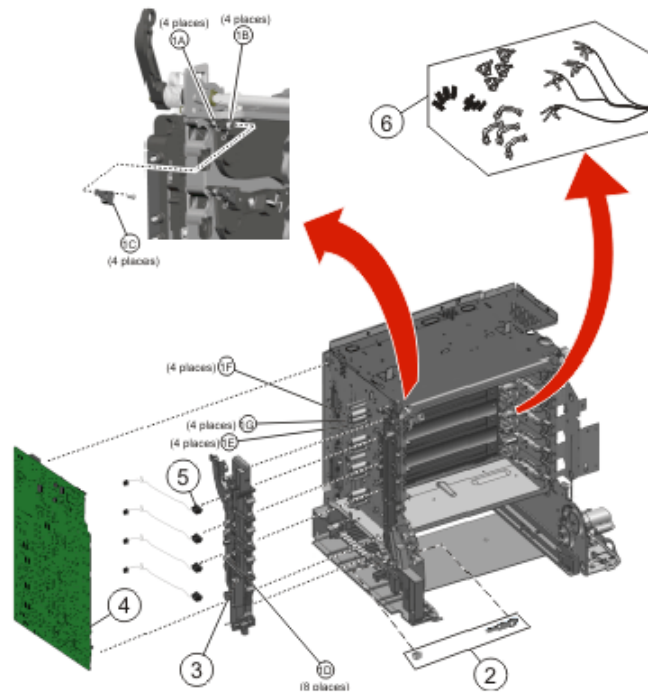
Electronics 3



Index	Description
1	Printhead assembly
2	System board support shield
3	System board, 4.3 inch mode
3	System board, 2.3 inch mode

C74xSeries Location

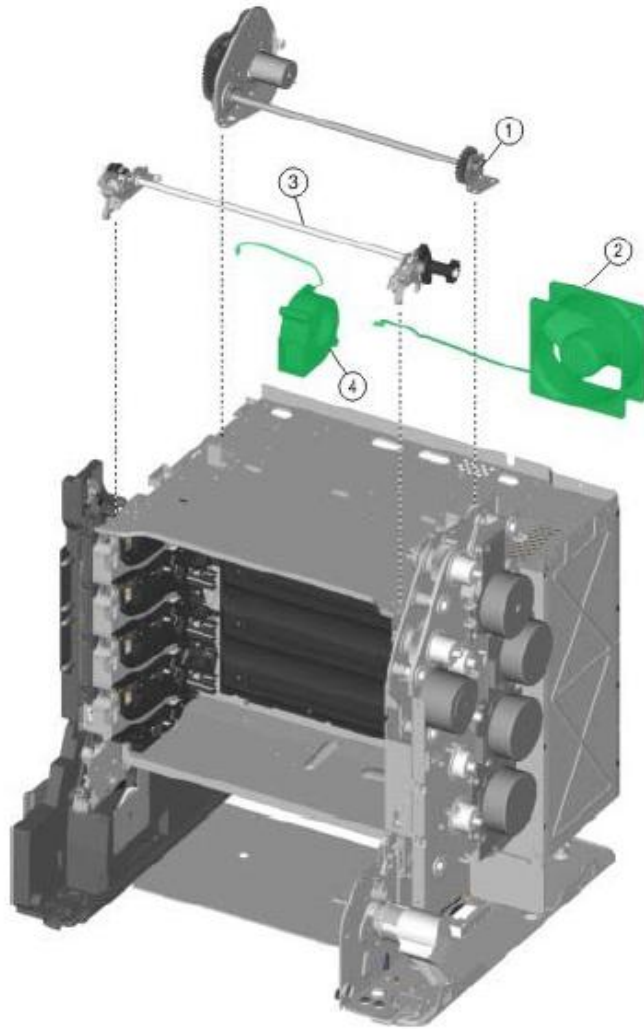
Electronics 4



Index	Description
1	Contact springs kit Includes the following: A—Torsion PCD contact spring B—Torsion CR contact spring C—Contact spring cap D—Charge roll contact spring E—HVPS TAR contact spring F—HVPS doctor/developer contact spring G—HVPS Db contact spring Screw
2	Auger shaft and gear parts pack
3	Waste toner HV contact assembly
4	High-voltage power supply
5	Toner level sensor
6	Toner cartridge contacts

C74xSeries Location

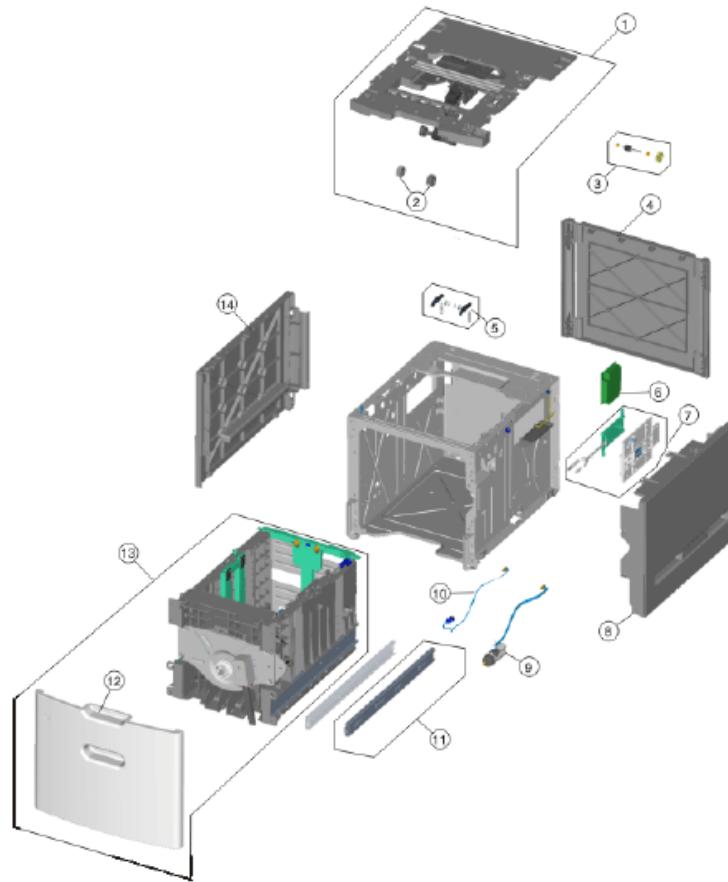
Top



Index	Description
1	Color-On-Demand assembly
2	Cooling fan
3	Top cover camshaft assembly
4	Cartridge cooling fan

C74xSeries Location

HCIT Option



Index	Description	Index	Description
1	Top plate assembly	7	Slide assembly with springs
2	HCIT pick arm roll	8	HCIT right cover
3	Feed with bushing	9	Elevator motor with sensor
4	HCIT rear cover	10	Photointerrupter sensor with cable assembly
5	Tray latch with spring	11	HCIT drawer slide assembly
6	HCIT controller card assembly	12	HCIT front tray cover
		13	HCIT paper drawer tray assembly
		14	HCIT left cover

Appendix A
Plastic containing brominated flame retardants

Part Description	Parts Marking	Location
BEARING – DEVELOPER ROLL DS	PC-(GF30+PTFE15) FR(16)	FUSER AREA
GUIDE (MECHANICAL) – Lower	PET-(GF+MD)40 FR(17)	FUSER AREA
GUIDE (MECHANICAL) – Upper	PET-(GF+MD)40 FR(17)	FUSER AREA
BLADE – ENTRY GUIDE INSULATION	PET-(GF+MD)40 FR(17)	FUSER AREA