



## Disassembly of Waste Electrical and Electronic Equipment (WEEE) Manual

EU Waste Electronic and Electrical Equipment Directive require producers to provide information of the different electronic and electrical materials and components found in their products at its end-of-life, and disassembly references to treatment and recycling facilities.

The disassembly information for this product has been prepared for use by a recognized treatment or recycling facility and is not intended to be used by others.

1. Product information
2. Materials and components list for selective treatment
3. Disassembly tools
4. Disassembly references

The following information is intended only for the use of treatment and recycling facilities.

All disassembly instructions should be performed with the power switch in the OFF position. Disconnect the power cord from the wall outlet and from the printer before continuing. If there are any other devices attached to the printer, then turn them off as well, and unplug any cables going into the printer.

### 1. Product information

**Model name(s)**—Indicate all model name(s) within the product family

Model name
<b>Lexmark CX310 series</b> Lexmark CX310n, Lexmark CX310dn
<b>Lexmark CX410 series –</b> Lexmark CX410e, Lexmark CX410de, Lexmark CX410dte
<b>Lexmark CX510 series –</b> Lexmark CX510de, Lexmark CX510dhe, Lexmark CX510dthe

\* Add rows as needed

### 2. Materials and components list for selective treatment

Items	Quantity	Notes
Polychlorinated biphenyls (PCB) containing capacitors	0	N/A
Mercury containing components, such as switches or backlighting lamps	0	
Batteries	1	Lithium Manganese Dioxide coin cell located on the system controller card

Printed circuit boards greater than 10 cm <sup>2</sup>	14	For Lexmark CX510dthe (locations illustrated in 4.2) <ul style="list-style-type: none"> <li>- 13 for Lexmark CX510dhe</li> <li>- 12 for Lexmark CX410dte, Lexmark CX510de</li> <li>- 11 for Lexmark CX410e, Lexmark CX410de</li> <li>- 10 for Lexmark CX310n, Lexmark CX310dn</li> </ul>
Toner cartridges, liquid and pasty, as well as colour toner	4 Toner cartridge; 1 Waste toner bottle	Toner cartridges located inside right side top cover  Waste toner bottle located inside the right side cover
Plastic containing brominated flame retardants	1 Fan; 25 Sensors; 6 Fuser parts	Fan(s) and Sensors (locations illustrated in 4.2)  Plastic parts located in the fuser assembly marked with recycle code that includes "FR17" of "FR16"
Asbestos waste and components which contain asbestos	0	N/A
Cathode ray tubes	0	N/A
Chlorofluorocarbons (CFC), Hydrochlorofluorocarbons (HCFC) or Hydrofluorocarbons (HFC), Hydrocarbons (HC)	0	N/A
Gas discharge lamps	0	N/A
Liquid Crystal Display (LCD) greater than 100 cm <sup>2</sup> and those back-lighted with Gas discharge lamps	1	CX510 Series LCD located inside OP panel
External electrical cables	1	Power cord located on the back lower left quadrant
Components containing refractory fibres	0	N/A
Components containing radioactive substances	0	N/A
Electrolyte capacitors containing substances of concern <sup>1</sup>	2	Capacitor(s) located on Power Supply (locations illustrated in 4.2)
<sup>1</sup> With (height > 25 mm, diameter > 25 mm or proportionately similar volume)		

### 3. Disassembly tools

Item
#2 Phillips screwdriver, magnetic
Wire cutter
E-clip puller or small flat-head screwdriver
Standard slotted head screwdriver

## 4. Disassembly references

### 4.1. Removal procedures



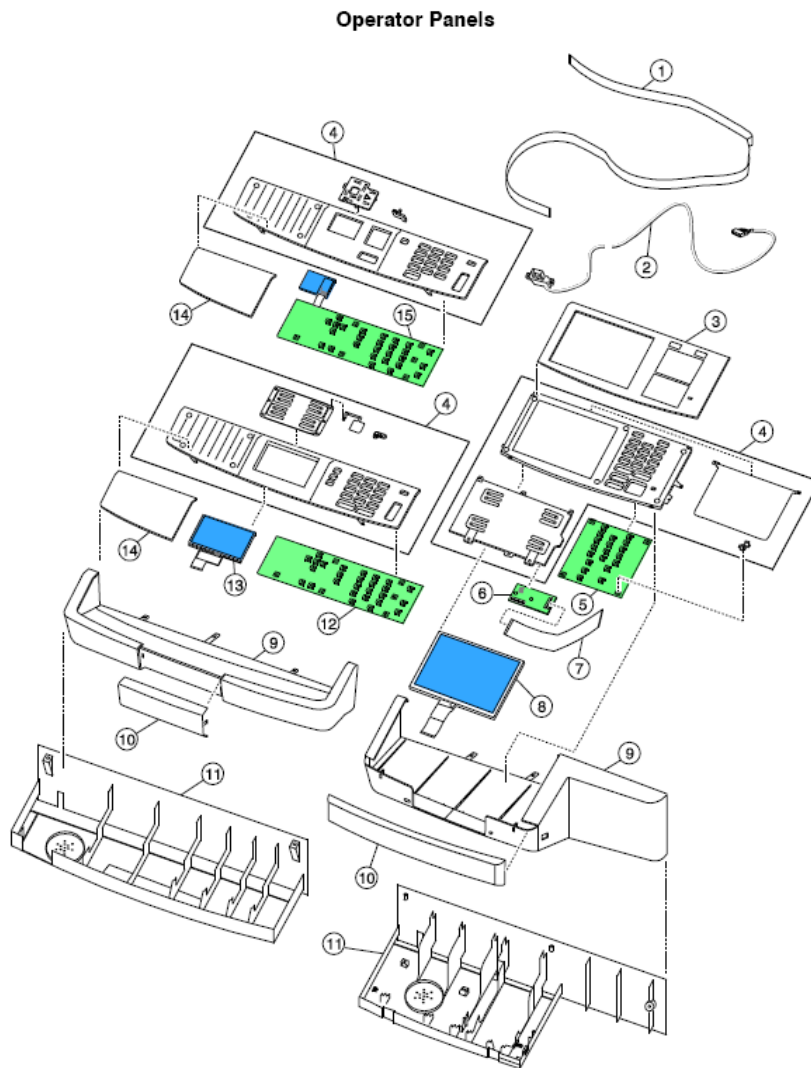
CXx10 WEEE removal

WEEE materials and components removal procedures are available upon request.

Contact: [recycling@lexmark.com](mailto:recycling@lexmark.com)

### 4.2. Graphical illustration of material's and component's location

#### CX310, CX410, CX510 Series Location

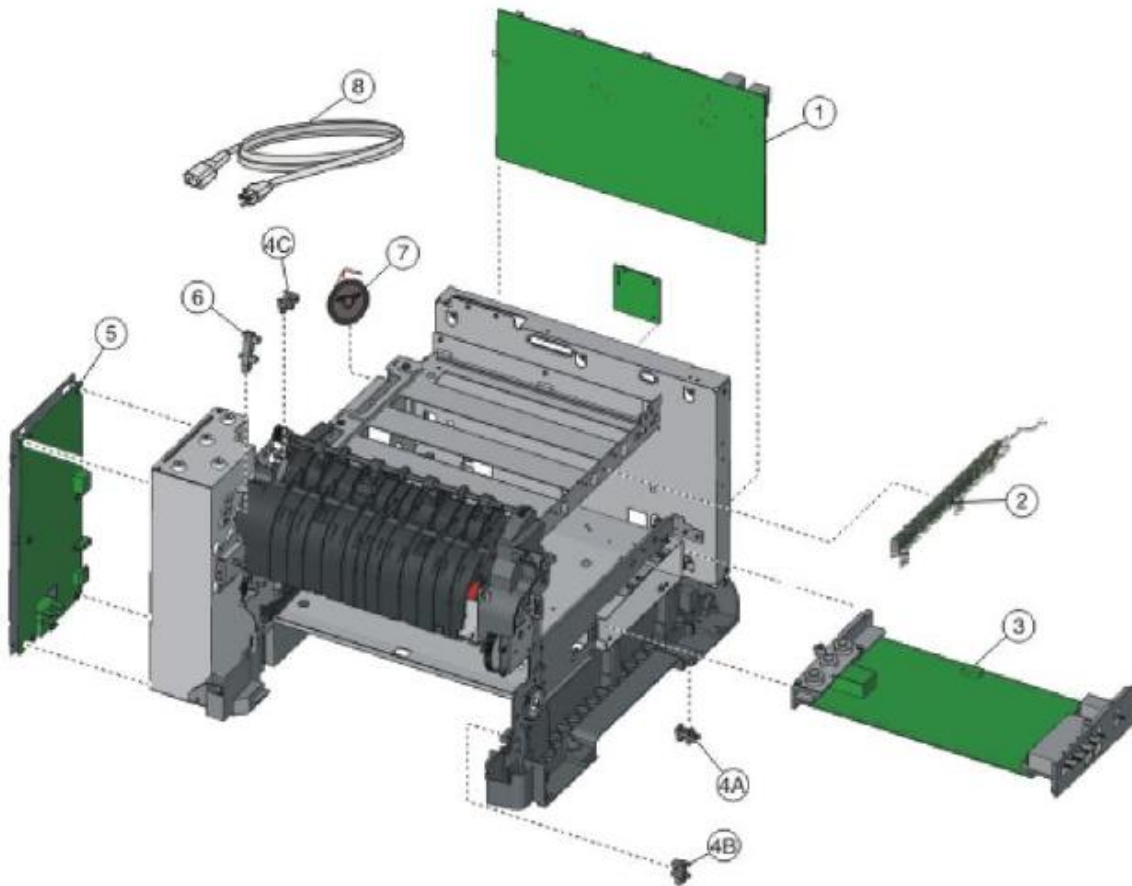


## CX310, CX410, CX510 Series Location

Index	Description
1	UICC to controller board cable (CX310, CX410)
1	UICC to controller board cable (CX510)
2	USB cable (CX410)
2	USB cable (CX510)
3	Bezel (CX510)
3	Bezel (XC2132)
4	Operator panel assembly (CX310)
4	Operator panel assembly (CX410)
4	Operator panel assembly (CX510)
5	PCBA MFP UICC (CX510)
6	Interface card (CX510)
7	Cable (interface card to UICC)
8	Display (CX510)
9	Upper front cover (CX510)
9	Upper front cover (CX310, CX410)
10	Front logo cover (CX310, CX410)
10	Front logo cover (CX510)
11	User interface support bracket (CX310, CX410)
11	User interface support bracket (CX510)
12	PCBA (CX410)
13	Display (CX410)
14	Operator panel bezel (CX410)
14	Operator panel bezel (CX310)
15	Display and PCBA (CX310)
NS	Speaker

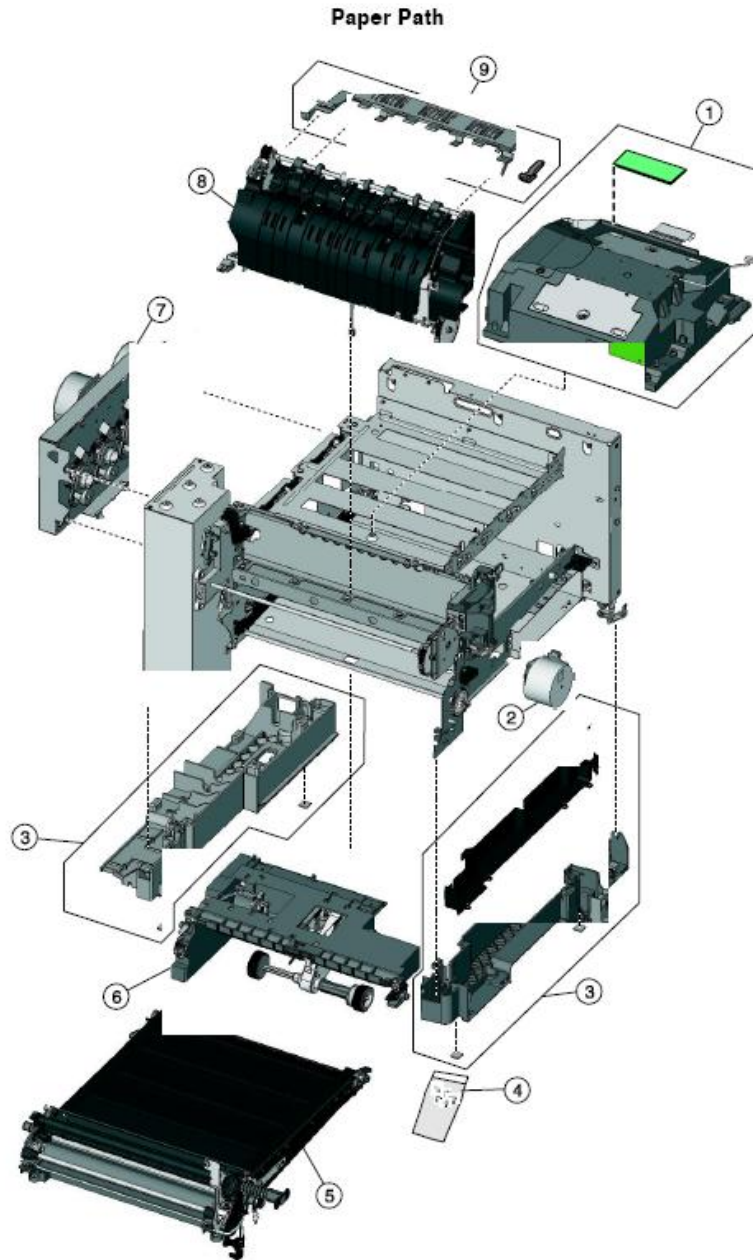
## CX310, CX410, CX510 Series Location

### Electronics



Index	Description
1	Controller board
2	Toner meter cycle card assembly
3	High-voltage power supply
4	Photo sensor and retainer (one per package), used for: <ul style="list-style-type: none"> <li>• Tray present sensor (5A)</li> <li>• Duplex sensor (5B)</li> <li>• Bin-full/narrow media sensor (5C)</li> </ul>
5	Low-voltage power supply (universal power supply)
6	Fuser exit sensor
7	Speaker, CS510
8	Power cord

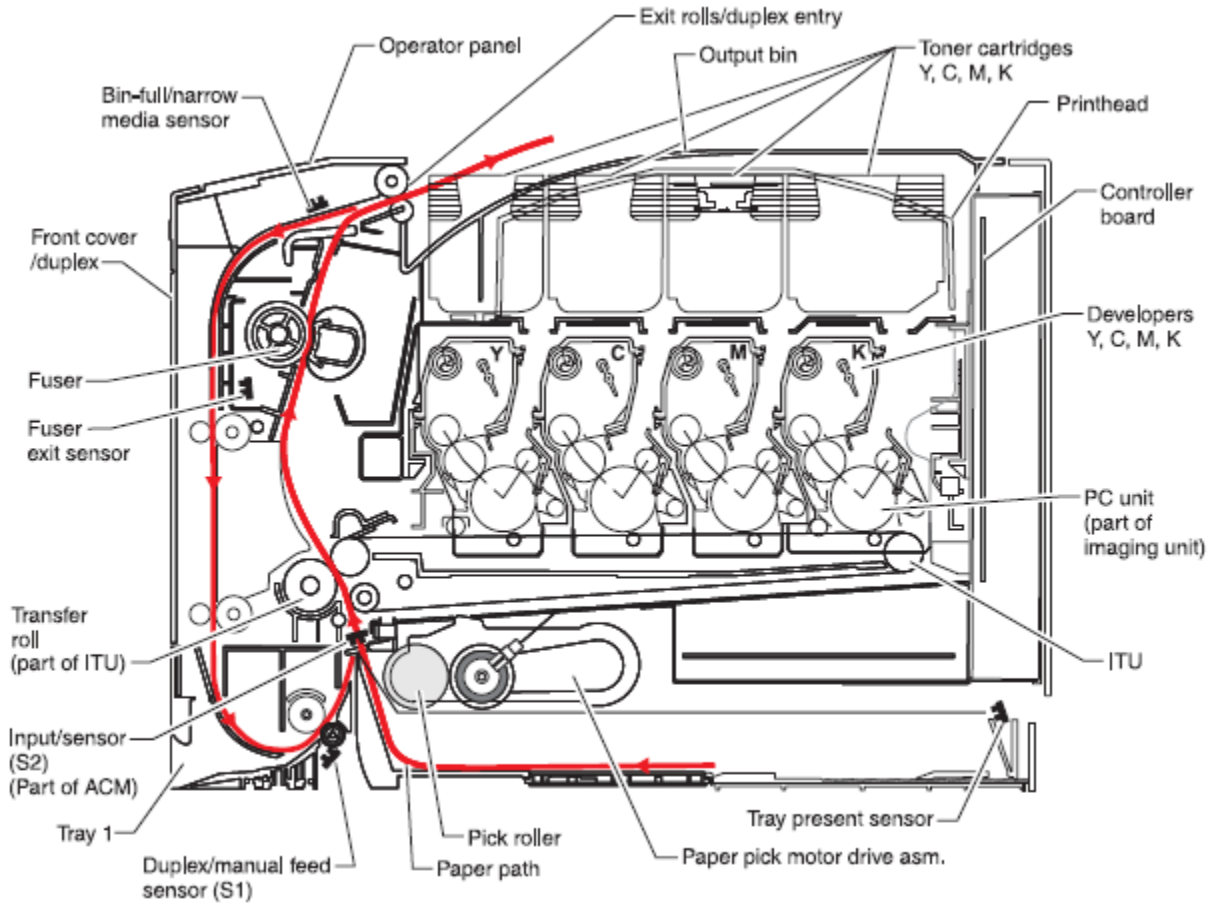
## CX310, CX410, CX510 Series Location



Index	Description
1	Printhead
2	Fuser drive motor assembly
3	Lower left frame and lower right frame with cable cover
4	Miscellaneous screws
4	Screw packet

# CX310, CX410, CX510 Series Location

## Sensors



*Picture does not show all sensors used by the product*

**Appendix A**  
**Plastic containing brominated flame retardants**

<b>Part Description</b>	<b>Parts Marking</b>	<b>Location</b>
GUIDE (MECHANICAL)-LOWER ENTRY	PET-(GF+MD)45FR(17)	FUSER AREA
GUIDE (MECHANICAL)	PET-(GF+MD)45FR(17)	FUSER AREA
GUIDE (MECHANICAL)-OUTER ENTRY	PET-(GF+MD)45FR(17)	FUSER AREA
HUB-SMART PICK	PC-(GB20+SD15) FR(16)	FUSER AREA
GUIDE (MECHANICAL)-INNER EXIT	PET-(GF+MD)45FR(17)	FUSER AREA
GUIDE (MECHANICAL)-DUPLEX	PET-(GF+MD)45FR(17)	FUSER AREA