



Disassembly of Waste Electrical and Electronic Equipment (WEEE) Manual

EU Waste Electronic and Electrical Equipment Directive require producers to provide information of the different electronic and electrical materials and components found in their products at its end-of-life, and disassembly references to treatment and recycling facilities.

This document communicates, according to the best of Lexmark's knowledge, the following information that is intended only for the use of treatment and recycling facilities:

1. Product information
2. Materials and components list for selective treatment
3. Disassembly tools
4. Disassembly references

1. Product information

Model name(s)—Indicate all model name(s) within the product family

Model name
X950 Series – X950de, X950de3, X950dhe
X952 Series – X952de, X952de3, X952dhe, X952dte, X952dte3
X954 Series – X954de4, X954de3, X954dhe, X954dhe3
XS95x Series – XS950de, XS955de, XS955dhe

* Add rows as needed

2. Materials and components list for selective treatment

Items	Quantity	Notes
Polychlorinated biphenyls (PCB) containing capacitors	0	N/A
Mercury containing components, such as switches or backlighting lamps	0	N/A
Batteries	1	Lithium Manganese Dioxide coin cell
Printed circuit boards greater than 10 cm ²	10	
Toner cartridges, liquid and pasty, as well as colour toner	5	4 Toner cartridges and 1 Waste toner bottle
Plastic containing brominated flame retardants	0	N/A

Asbestos waste and components which contain asbestos	0	N/A
Cathode ray tubes	0	N/A
Chlorofluorocarbons (CFC), Hydrochlorofluorocarbons (HCFC) or Hydrofluorocarbons (HFC), Hydrocarbons (HC)	0	N/A
Gas discharge lamps	0	N/A
Liquid Crystal Display (LCD) greater than 100 cm ² and those back-lighted with Gas discharge lamps	1	N/A
External electrical cables	1	Power cable – Rear side of the device
Components containing refractory fibres	0	N/A
Components containing radioactive substances	0	N/A
Electrolyte capacitors containing substances of concern ¹	0	N/A
¹ With (height > 25 mm, diameter > 25 mm or proportionately similar volume)		

3. Disassembly tools

Item
#2 Phillips screwdriver, magnetic
Wire cutter
E-clip puller or a small flat-head screwdriver

4. Disassembly references

4.1. Removal Procedures



X95x Series WEEE removal

WEEE materials and components removal procedures are available upon request.

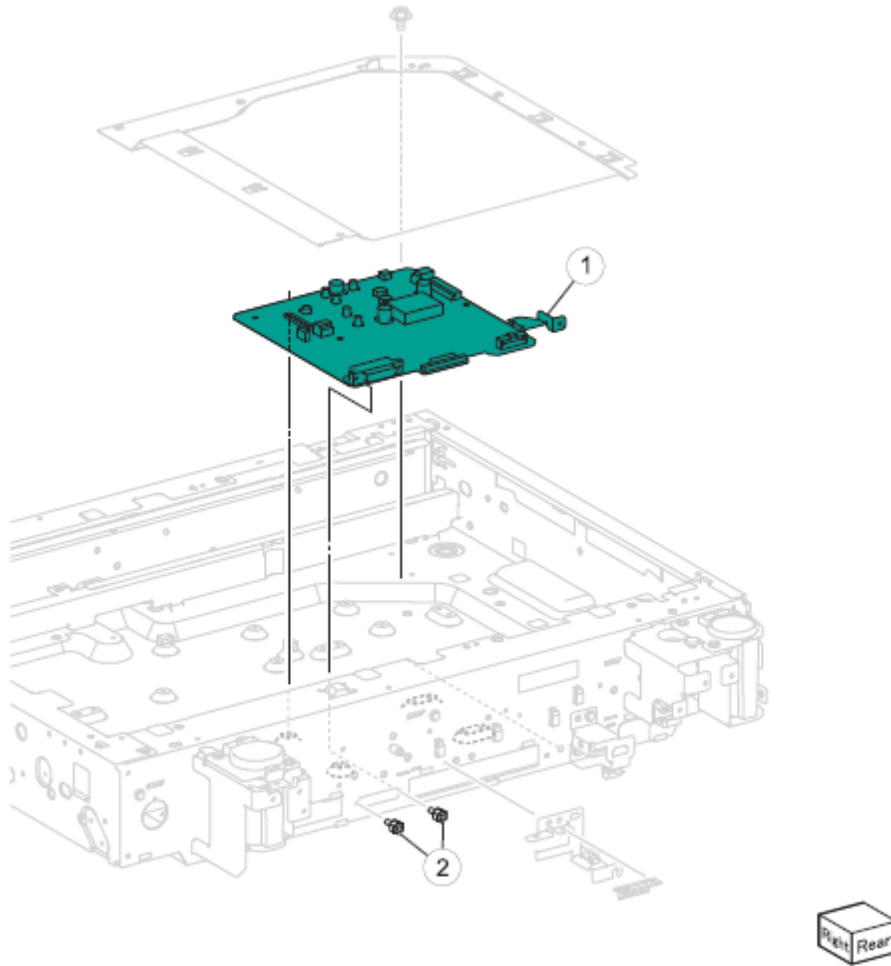
Contact: recycling@lexmark.com

4.2. Graphical illustration of material's and component's location

See next page

**X95X SERIES
Location**

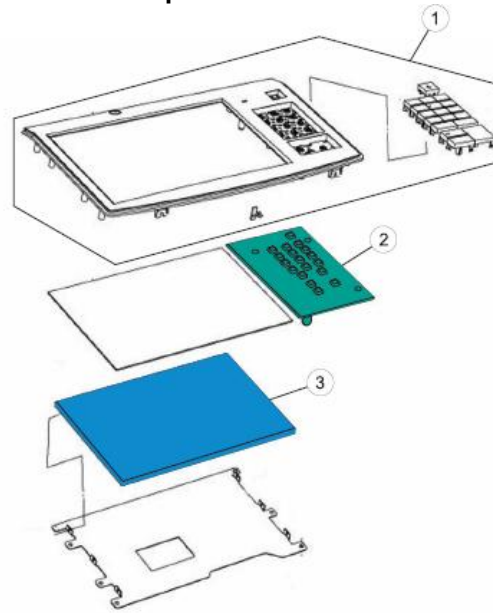
Scanner controller board



Index	Description
1	Scanner controller PCBA
2	Screw

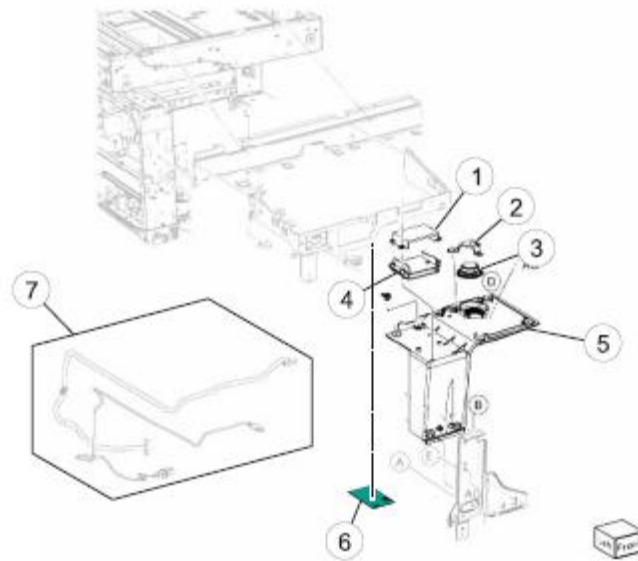
X95X SERIES Location

Operator Panel



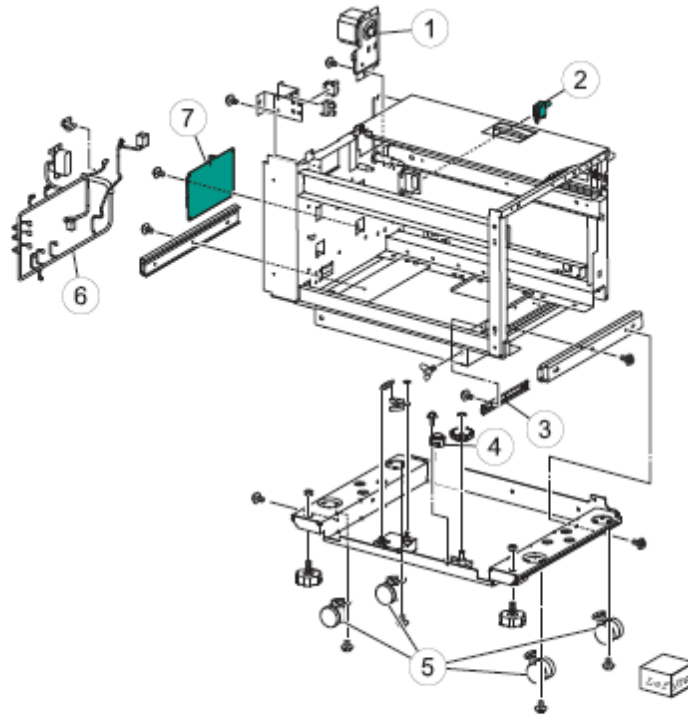
Index	Description
1	Operator panel top cover (MFP)
2	MFP Operator panel PCBA
3	MFP touch screen PCBA

Operator Panel Covers 2



X95X SERIES Location

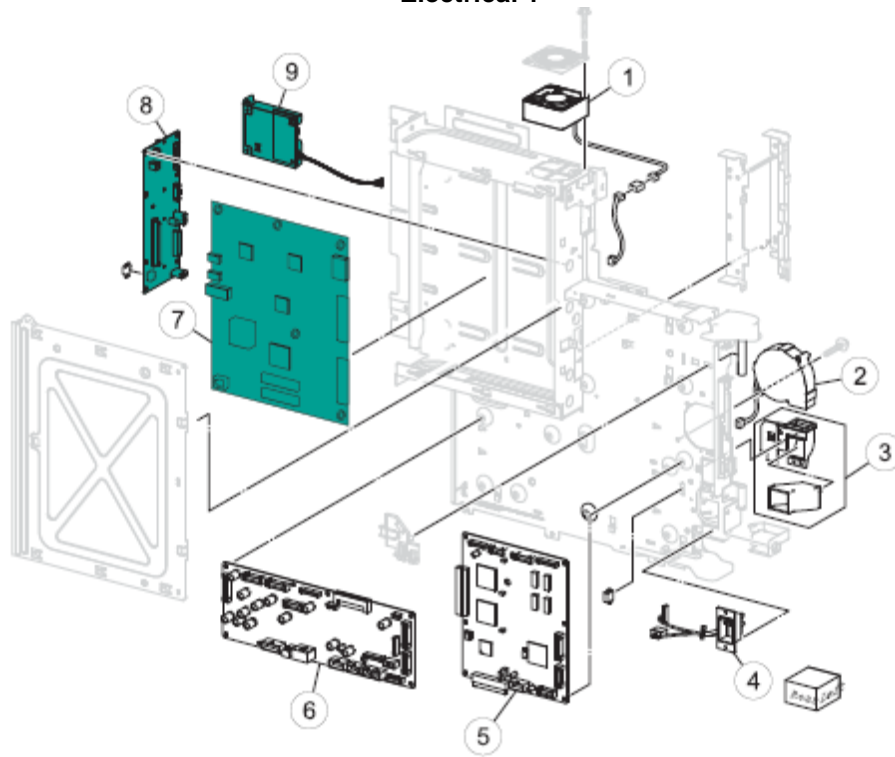
High Capacity Feed



Index	Description
1	HCF transport motor
2	Sensor (HCF unit docking interlock)
3	HCF rack gear
4	HCF sliding damper
5	HCF caster
6	HCF main cable
7	HCF controller card PCBA

X95X SERIES Location

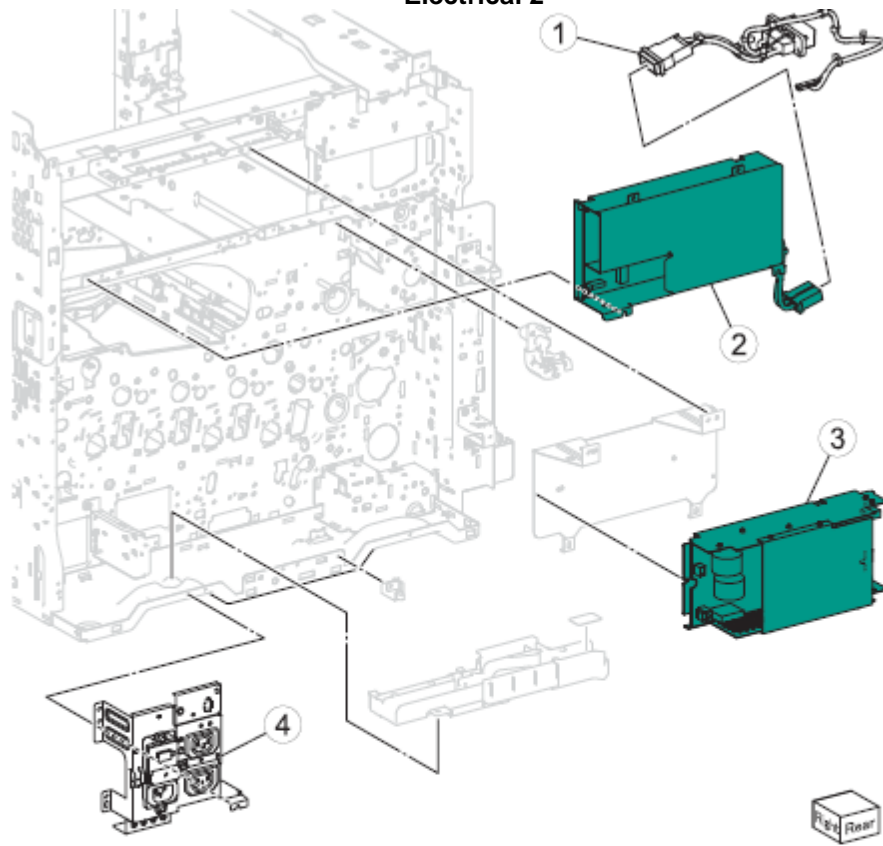
Electrical 1



Index	Description
1	Controller cooling fan
2	Suction fan
3	Suction fan duct
4	HCF interface contact
5	Upper printer engine PCBA
6	Lower engine PCBA
7	RIP card PCBA (MFP)
8	Bridge PCBA (MFP)
9	Fax card

X95X SERIES Location

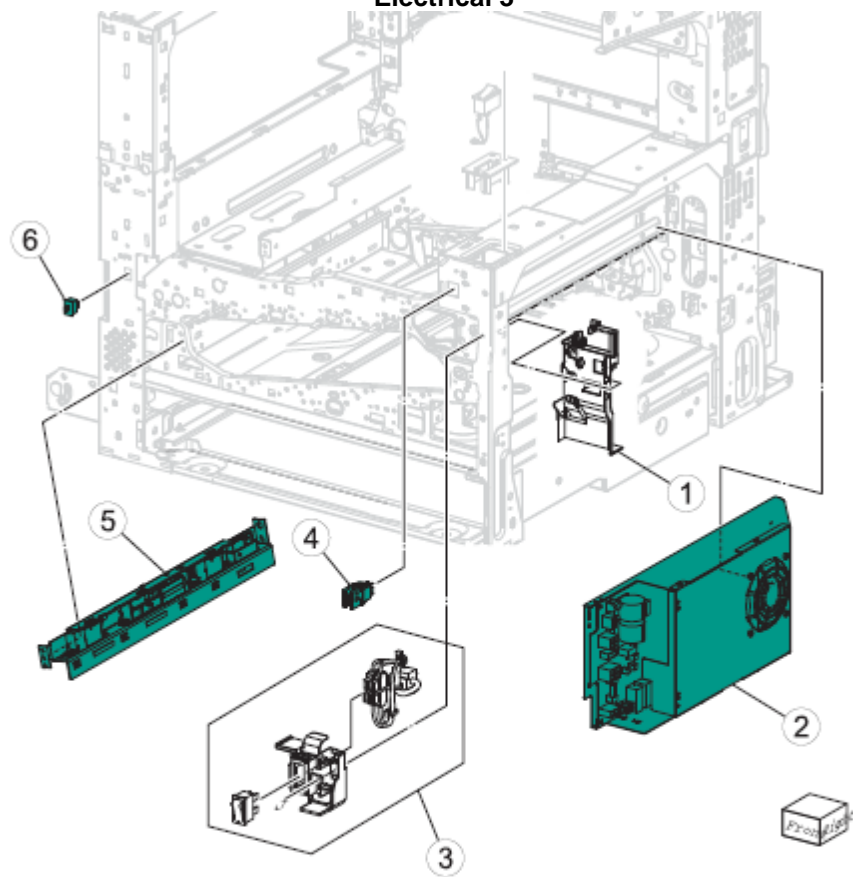
Electrical 2



Index	Description
1	Fuser power contact 110V
1	Fuser power contact 220V
2	Fuser driver PCBA 110V
2	Fuser driver PCBA 220V
3	Sub LVPS PCBA
4	Main power GFI interface 110V
4	Main power GFI interface 220V

X95X SERIES Location

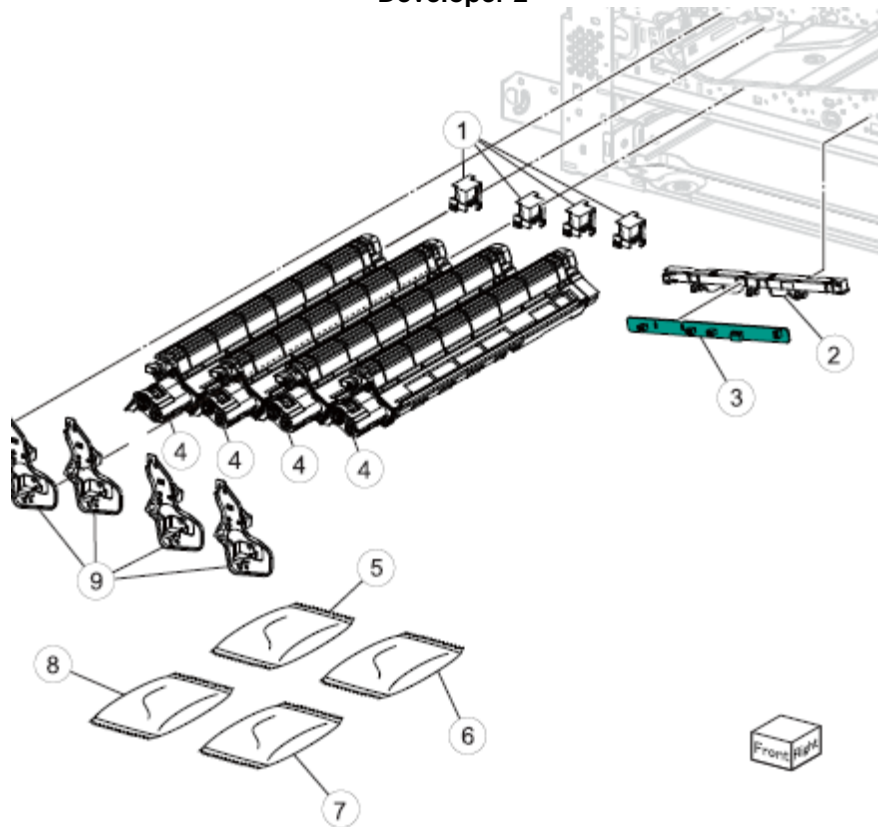
Electrical 3



Index	Description
1	LVPS front fan guide
2	LVPS PCBA
3	Main power switch
4	Sensor (printer right front door interlock)
5	Sensor (Image calibration)
6	Front door sensor

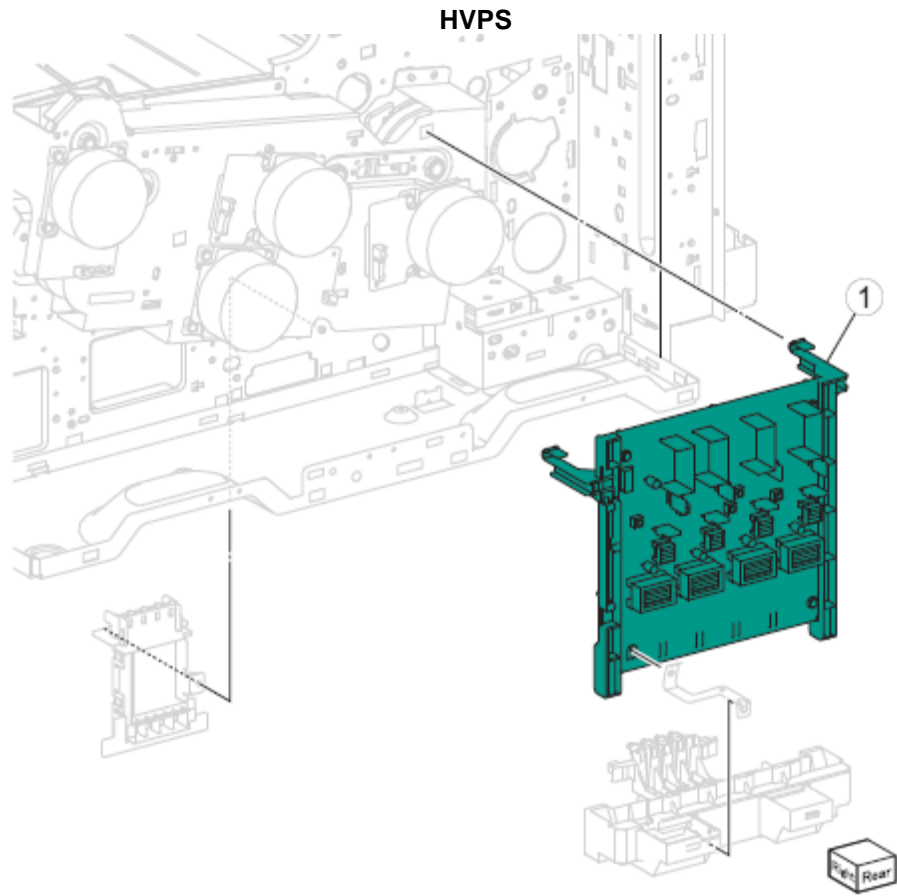
X95X SERIES
Location

Developer 2



Index	Description
1	Developer housing rear plunger
2	ATC sensor PCB bracket
3	ATC sensor PCB
4	Developer housing
5	K developer carrier
6	C developer carrier
7	Y developer carrier
8	M developer carrier
9	Developer bracket

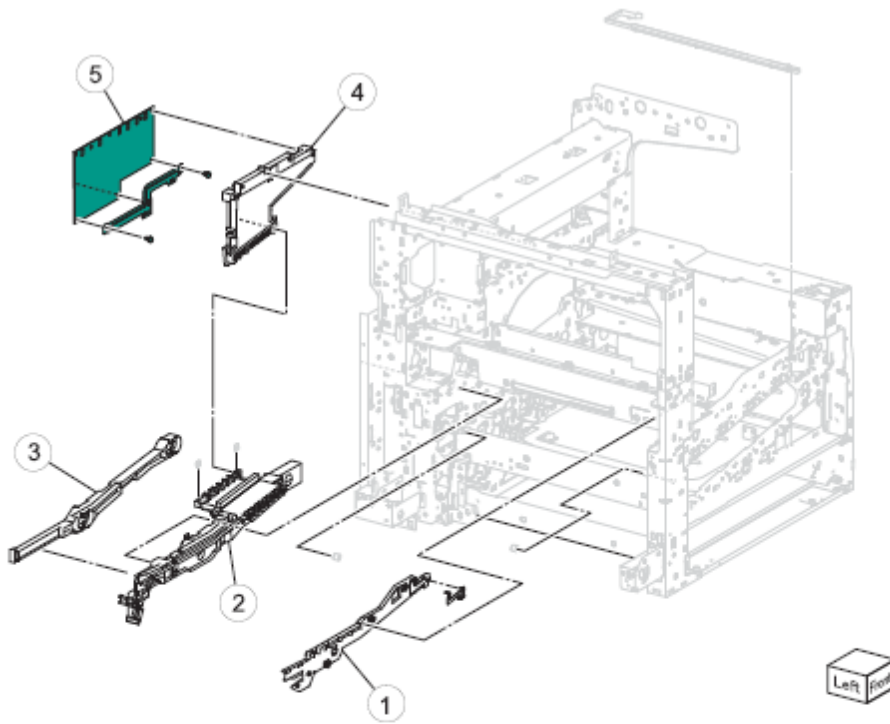
X95X SERIES Location



Index	Description
1	Developer HVPS PCBA

**X95X SERIES
Location**

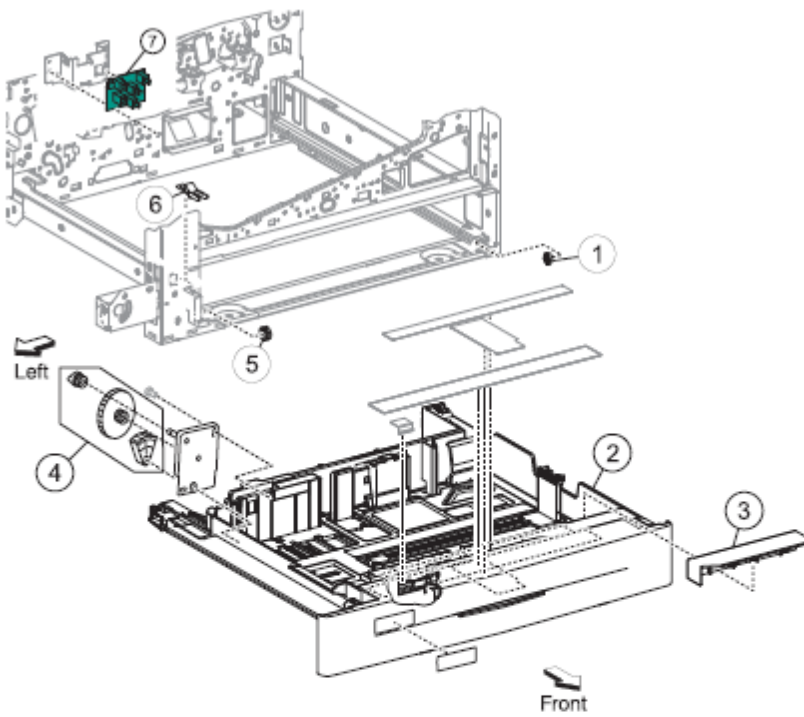
Transfer Belt 2



Index	Description
1	Front transfer belt guide
2	Rear transfer belt guide
3	Belt removal actuator
4	1st transfer conductor housing
5	Transfer roll HVPS PCBA

**X95X SERIES
Location**

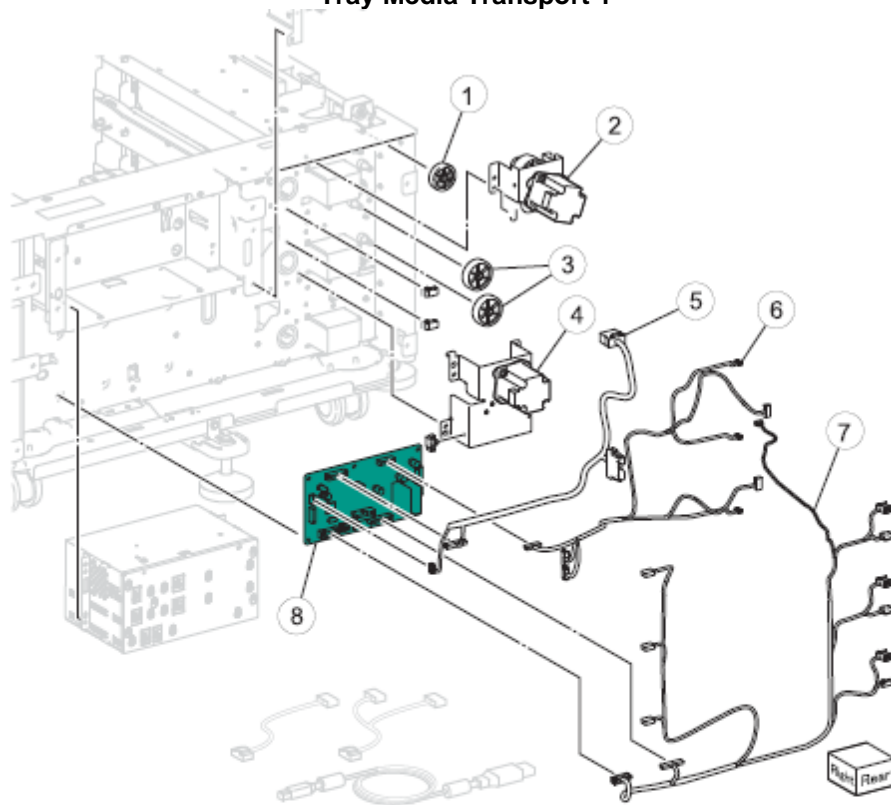
Media Feed 1



Index	Description
1	Media tray right roller
2	Printer media tray # 1
3	Media tray compartment cover
4	Media tray lift gear kit includes: <ul style="list-style-type: none">• Tray lift coupling gear 19T• Tray lift gear 19/80T• Tray lift sector gear 12T
5	Media tray left roller
6	Media tray stop
7	Media size switch PCB

X95X SERIES
Location

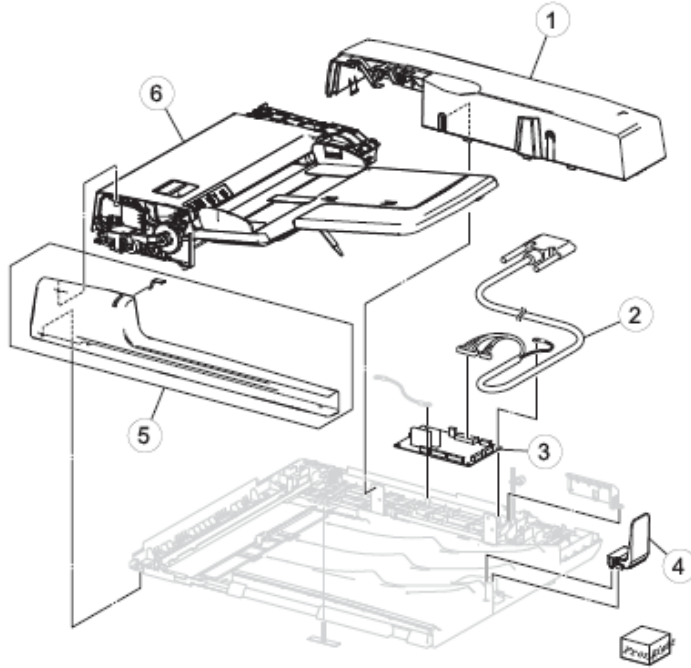
Tray Media Transport 1



Index	Description
1	3TM 34T gear
2	1TM/3TM upper transport motor
3	3TM/TTM 39T gear
4	Tray module lower transport motor
5	3TM interface cable
6	3TM motor cable
7	3TM sensor cable
8	Tray module controller PCBA

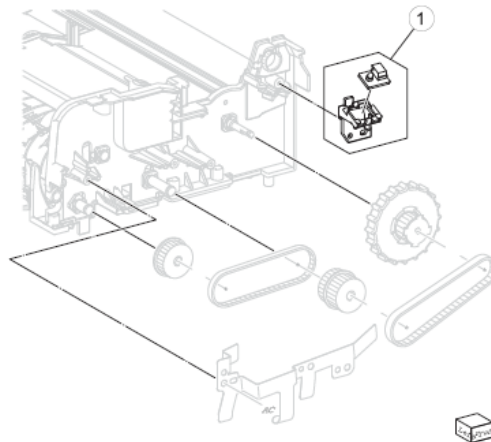
X95X SERIES
Location

ADF Covers



Index	Description
1	ADF rear cover
2	ADF interface cable
3	ADF controller PCBA
4	ADF media stop
5	ADF front cover
6	ADF main drive sub assembly

ADF LED PCB



Index	Description
1	ADF LED PCB

**X95X SERIES
Location**

Location of Sensors, Fans, Motors and Input and Output Options PCB, Sensors can be found in the X95x WEEE Removal